



Chipsmall Limited consists of a professional team with an average of over 10 year of expertise in the distribution of electronic components. Based in Hongkong, we have already established firm and mutual-benefit business relationships with customers from,Europe,America and south Asia,supplying obsolete and hard-to-find components to meet their specific needs.

With the principle of “Quality Parts,Customers Priority,Honest Operation,and Considerate Service”,our business mainly focus on the distribution of electronic components. Line cards we deal with include Microchip,ALPS,ROHM,Xilinx,Pulse,ON,Everlight and Freescale. Main products comprise IC,Modules,Potentiometer,IC Socket,Relay,Connector.Our parts cover such applications as commercial,industrial, and automotives areas.

We are looking forward to setting up business relationship with you and hope to provide you with the best service and solution. Let us make a better world for our industry!



Contact us

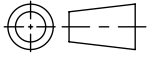
Tel: +86-755-8981 8866 Fax: +86-755-8427 6832

Email & Skype: info@chipsmall.com Web: www.chipsmall.com

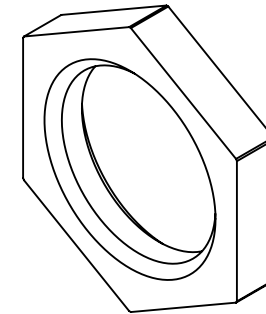
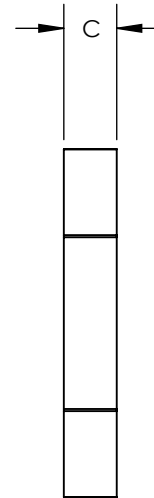
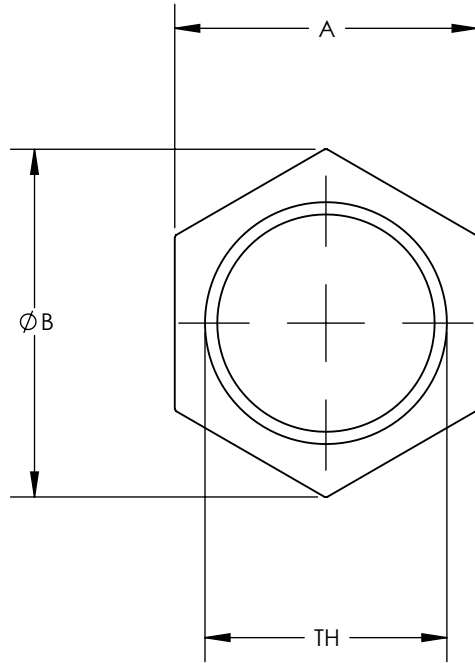
Address: A1208, Overseas Decoration Building, #122 Zhenhua RD., Futian, Shenzhen, China



SW2014



Revision level			Revision Record	Changed	Date	Approved	Date
Drawing	State	Part					
00.0	Design Release		SEE ECN# 013585	GRW	10/13/2016	KAC	10/13/2016



Metric	HellermannTyton	Manufacturer	Dimensions		
			A	B	Thickness
mm			mm	mm	mm
M16 X 1.5	ALNPB-M16	B-M16	20	23	3.5
M20 X 1.5	ALNPB-M20	B-M20	24	28	3.5
M25 X 11.5	ALNPB-M25	B-M25	29	33	3.5
M32 X 1.5	ALNPB-M32	B-M32	38	43	4.5
M40 X 1.5	ALNPB-M40	B-M40	48	54	5.0
M50 X 1.5	ALNPB-M50	B-M50	58	66	6.0

Material
NICKEL PLATED BRASS

Units: **millimeters**
 Dimension without tolerances details to:
 .XXX = ±.013
 .XX = ±.13
 .X = ±.3
 None = ±.8
 < = ±0.5°
 Dimension Formatted mm/[in]

The copyright of this drawing is reserved by HellermannTyton. It is issued on condition that it is not reproduced, copied, or disclosed to a third party, either wholly or in part, without the consent of HellermannTyton.

Drawn GRW 10/13/2016
 Approved KAC 10/13/2016
HellermannTyton
 North America
 Email: corp@htamericas.com
 Web: www.hellermann.tyton.com

Article/Type-No ALNPB SERIES
 Title **HELAGUARD ALNPB NICKEL PLATED METRIC LOCKNUT**
 Drawing-No PRODUCTION : Phase
15-0408-001-CSU

Scale 2:1
 Project Number PRP 15-0408
 Format AH
 Sheet 1/1