



Chipsmall Limited consists of a professional team with an average of over 10 year of expertise in the distribution of electronic components. Based in Hongkong, we have already established firm and mutual-benefit business relationships with customers from,Europe,America and south Asia,supplying obsolete and hard-to-find components to meet their specific needs.

With the principle of “Quality Parts,Customers Priority,Honest Operation,and Considerate Service”,our business mainly focus on the distribution of electronic components. Line cards we deal with include Microchip,ALPS,ROHM,Xilinx,Pulse,ON,Everlight and Freescale. Main products comprise IC,Modules,Potentiometer,IC Socket,Relay,Connector.Our parts cover such applications as commercial,industrial, and automotives areas.

We are looking forward to setting up business relationship with you and hope to provide you with the best service and solution. Let us make a better world for our industry!



Contact us

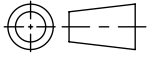
Tel: +86-755-8981 8866 Fax: +86-755-8427 6832

Email & Skype: info@chipsmall.com Web: www.chipsmall.com

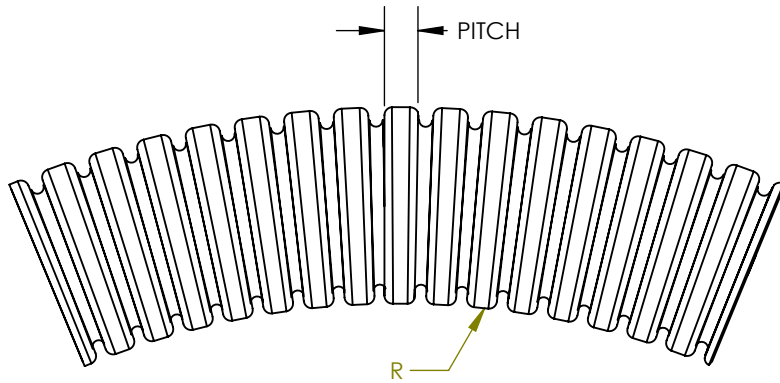
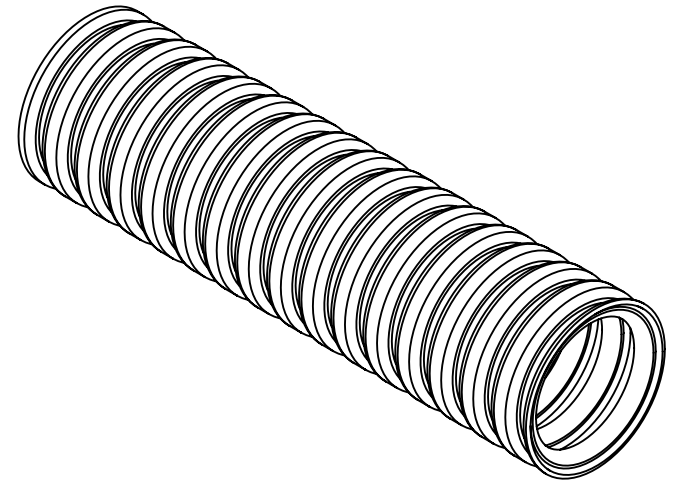
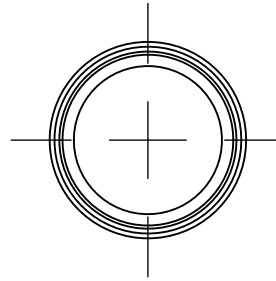
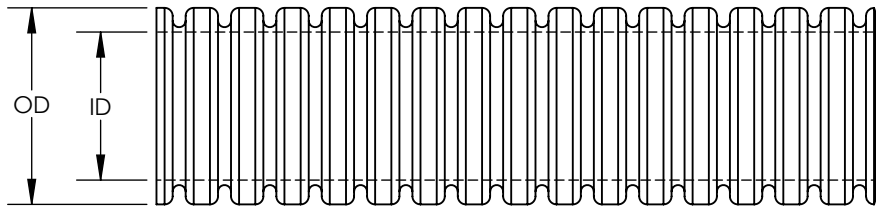
Address: A1208, Overseas Decoration Building, #122 Zhenhua RD., Futian, Shenzhen, China



SW2014



Revision level			Revision Record	Changed	Date	Approved	Date
Drawing	State	Part					
00.0	Design Release		SEE ECN# 013582	GRW	10/12/2016	KAC	10/12/2016



Conduit Size		Euro Size	Pitch	HellermannTyton Item Number	Man'f Part Reference	Outside Dimension (OD)		Inside Dimension (ID)		Minimum Bend Radius	Compression Strength	Weight
in.	mm	(NW)	F or C			in	mm	in	mm	mm	kg/100mm	lbs / foot
5/16	13	10	F	HG-HI0310	FPI13	0.51	13	0.39	9.8	25	75	0.019
3/8	16	12	F	HG-HI0380	FPI16	0.63	15.8	0.47	11.8	30	45	0.024
1/2	21	17	F	HG-HI0500	FPI21	0.84	21.2	0.66	16.7	35	45	0.037
3/4	28	23	C	HG-HI0750	FPI28	1.13	28.5	0.86	22.8	45	70	0.062
1	34	29	C	HG-HI1000	FPI34	1.36	34.5	1.11	28.1	55	70	0.081
1.25	42	36	C	HG-HI1250	FPI42	1.68	42.5	1.40	35.5	60	70	0.108
1.5	54	48	C	HG-HI1500	FPI54	2.15	54.5	1.86	47.2	70	50	0.148
2	67	56	C	HG-HI1500	FPI54	2.65	67.2	2.22	56.3	120	50	0.23

Material
PA12

Units: **inches**
 Dimension without tolerances details to:
 .xxxx = ±.0005
 .xxx = ±.005
 .xx = ±.01
 .x = ±.03
 None = ±.06
 < = ±0.5°
 Dimension Formatted in/[mm]

The copyright of this drawing is reserved by HellermannTyton. It is issued on condition that it is not reproduced, copied, or disclosed to a third party, either wholly or in part, without the consent of HellermannTyton.

Drawn GRW 10/12/2016
 Approved KAC 10/12/2016

HellermannTyton
 North America
 Email: corp@htamericas.com
 Web: www.hellermann.tyton.com

Article/Type-No HG-HI SERIES
 Title **HELAGUARD STANDARD WEIGHT HIGH IMPACT NYLON CONDUIT**
 Drawing-No PRODUCTION : Phase
15-0774-001-CSU

Scale 2:1
 Project Number PRP 15-0774
 Format AH
 Sheet 1/1