



Chipsmall Limited consists of a professional team with an average of over 10 year of expertise in the distribution of electronic components. Based in Hongkong, we have already established firm and mutual-benefit business relationships with customers from,Europe,America and south Asia,supplying obsolete and hard-to-find components to meet their specific needs.

With the principle of “Quality Parts,Customers Priority,Honest Operation,and Considerate Service”,our business mainly focus on the distribution of electronic components. Line cards we deal with include Microchip,ALPS,ROHM,Xilinx,Pulse,ON,Everlight and Freescale. Main products comprise IC,Modules,Potentiometer,IC Socket,Relay,Connector.Our parts cover such applications as commercial,industrial, and automotives areas.

We are looking forward to setting up business relationship with you and hope to provide you with the best service and solution. Let us make a better world for our industry!



## Contact us

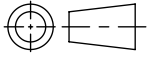
Tel: +86-755-8981 8866 Fax: +86-755-8427 6832

Email & Skype: info@chipsmall.com Web: www.chipsmall.com

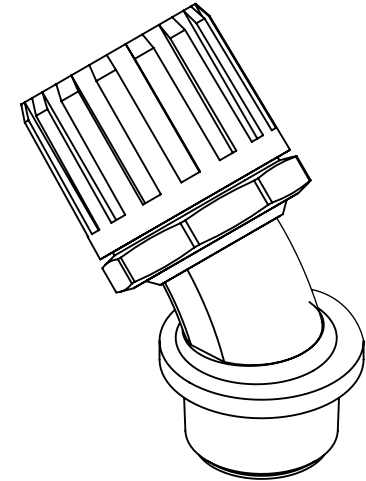
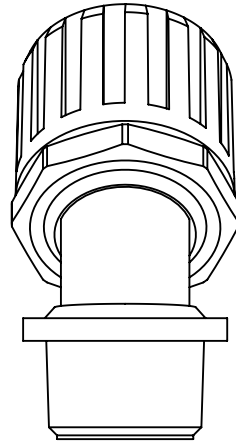
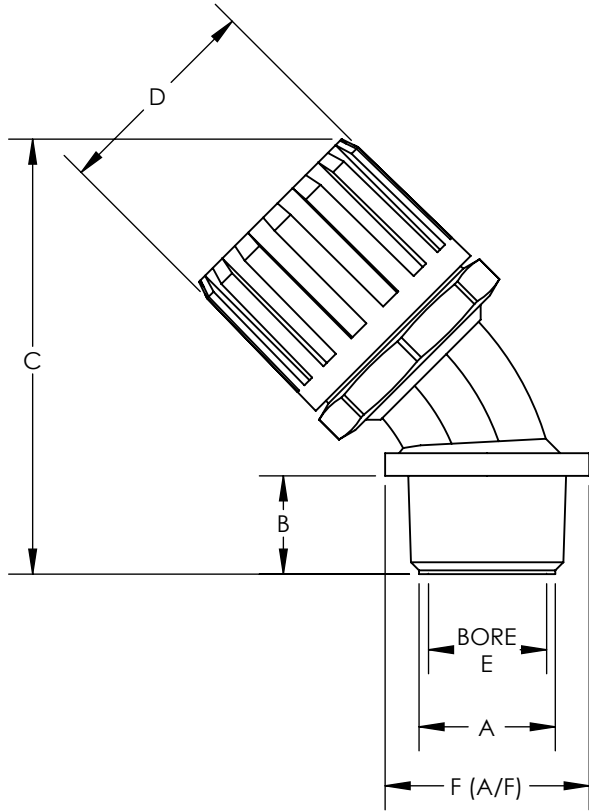
Address: A1208, Overseas Decoration Building, #122 Zhenhua RD., Futian, Shenzhen, China



SW2015



Revision level			Revision Record	Changed	Date	Approved	Date
Drawing	State	Part					
00.0	Design Release		SEE ECN# 013811	CTF	04/18/2017	JG	04/18/2017



Conduit Size	HellermannTyton Part Number	Manufacturer Reference Number	Thread	Dimensions												
				A		B		C		D		E		F (A/F)		
in.	mm		NPT or M	in.	mm	in.	mm	in.	mm	in.	mm	in.	mm	in.	mm	
3/8"	16.0	HGU038-45-0500	FPAU16-050-45B	1/2 NPT	0.51	13.0	1.77	45.0	1.14	29.0	0.59	15.0	1.06	27.0		
1/2"	21.0	HGU050-45-0500	FPAU21-050-45B	1/2 NPT	0.51	13.0	1.89	48.0	1.26	32.0	0.59	15.0	1.06	27.0		
3/4"	28.0	HGU075-45-0750	FPAU28-075-45B	3/4 NPT	0.59	15.0	2.28	58.0	1.73	44.0	0.75	19.0	1.26	32.0		
1"	34.0	HGU100-45-1000	FPAU34-100-45B	1 NPT	0.63	16.0	2.56	65.0	2.01	51.0	0.98	25.0	1.57	40.0		
1-1/4"	42.0	HGU125-45-1500	FPAU42-150-45B	1-1/2 NPT	0.63	16.0	3.23	82.0	2.48	63.0	1.54	39.0	2.36	60.0		
1-1/2"	54.0	HGU150-45-1500	FPAU54-150-45B	1-1/2 NPT	0.63	16.0	3.58	91.0	2.99	76.0	1.64	39.0	2.36	60.0		
3/8"	16.0	HGU16-45-M20B	FPAU16-M20-45B	M20x1.5	0.51	13.0	1.77	45.0	1.14	29.0	0.55	14.0	1.06	27.0		
1/2"	21.0	HGU21-45-M20B	FPAU21-M20-45B	M20x1.5	0.51	13.0	1.89	48.0	1.26	32.0	0.55	14.0	1.06	27.0		
3/4"	28.0	HGU28-45-M25B	FPAU28-M25-45B	M25x1.5	0.59	15.0	2.28	58.0	1.73	44.0	0.75	19.0	1.26	32.0		
1"	34.0	HGU34-45-M32B	FPAU34-M32-45B	M32x1.5	0.63	16.0	2.56	65.0	2.01	51.0	0.96	24.5	1.57	40.0		
1-1/4"	42.0	HGU42-45-M50B	FPAU42-M50-45B	M50x1.5	0.63	16.0	3.23	82.0	2.48	63.0	1.54	39.0	2.36	60.0		
1-1/2"	54.0	HGU54-45-M50B	FPAU54-M50-45B	M50x1.5	0.63	16.0	3.58	91.0	2.99	76.0	1.54	39.0	2.36	60.0		

Material  
PA66

Units: inches  
Dimension without tolerances details to:  
.xxxx = ±.0005  
.xxx = ±.005  
.xx = ±.01  
.x = ±.03  
None = ±.06  
∠ = ±0.5°  
Dimension Formatted in[mm]

The copyright of this drawing is reserved by HellermannTyton. It is issued on condition that it is not reproduced, copied, or disclosed to a third party, either wholly or in part, without the consent of HellermannTyton.

Drawn CTF 04/18/2017  
Approved JG 04/18/2017

**HellermannTyton**  
North America  
Email: corp@htamericas.com  
Web: www.hellermann.tyton.com

Article/Type-No HGU-45 SERIES  
Title HELAGUARD ULTRA 45 DEGREE NYLON ELBOW FITTING, NPT OR METRIC THREAD, IP68  
Drawing-No PRODUCTION : Phase  
**17-0796-001-CSU**

Scale 1:1  
Project Number PRP 17-0796  
Format AH  
Sheet 1/1