



Chipsmall Limited consists of a professional team with an average of over 10 year of expertise in the distribution of electronic components. Based in Hongkong, we have already established firm and mutual-benefit business relationships with customers from,Europe,America and south Asia,supplying obsolete and hard-to-find components to meet their specific needs.

With the principle of “Quality Parts,Customers Priority,Honest Operation,and Considerate Service”,our business mainly focus on the distribution of electronic components. Line cards we deal with include Microchip,ALPS,ROHM,Xilinx,Pulse,ON,Everlight and Freescale. Main products comprise IC,Modules,Potentiometer,IC Socket,Relay,Connector.Our parts cover such applications as commercial,industrial, and automotives areas.

We are looking forward to setting up business relationship with you and hope to provide you with the best service and solution. Let us make a better world for our industry!



Contact us

Tel: +86-755-8981 8866 Fax: +86-755-8427 6832

Email & Skype: info@chipsmall.com Web: www.chipsmall.com

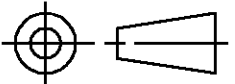
Address: A1208, Overseas Decoration Building, #122 Zhenhua RD., Futian, Shenzhen, China



DO NOT SCALE
DIMENSIONS IN mm

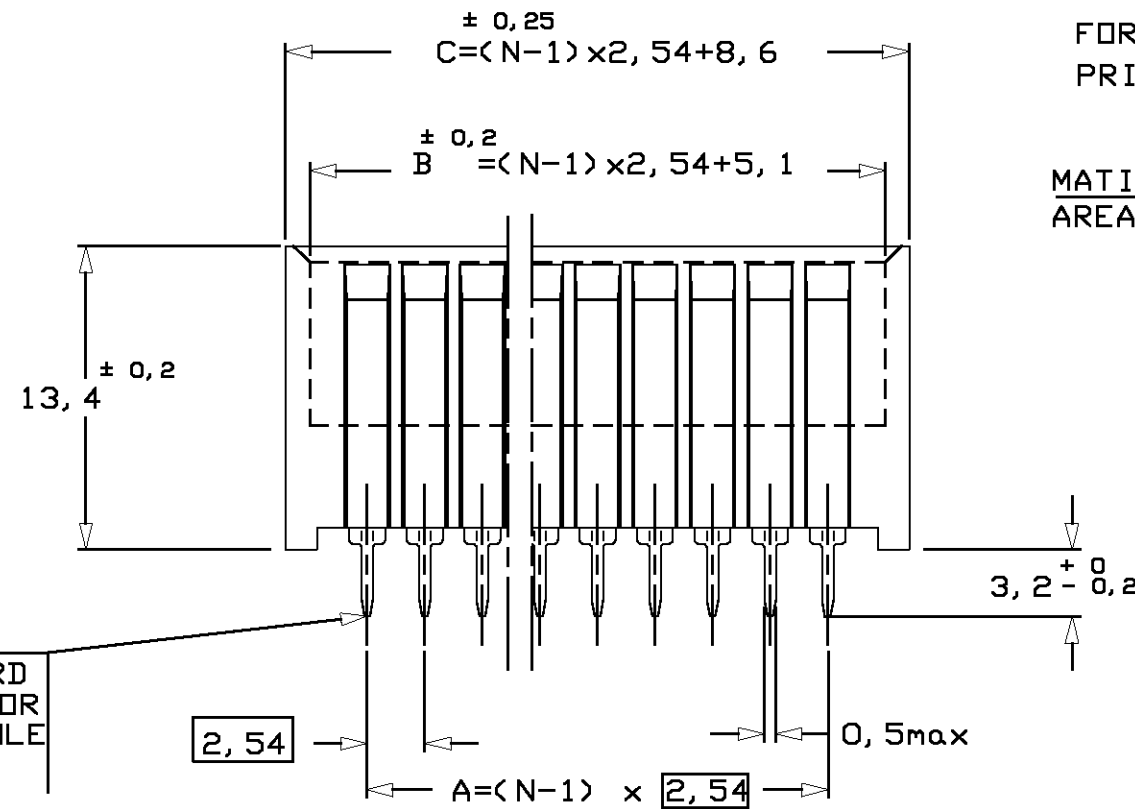
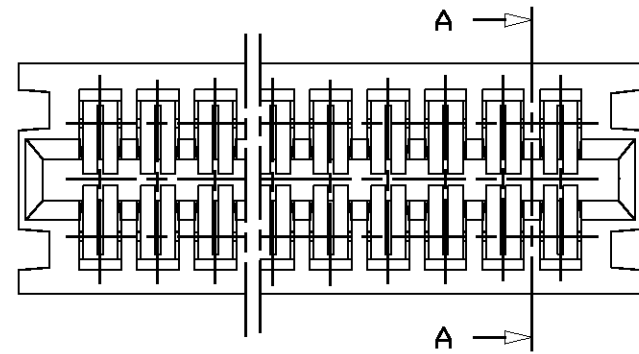
METRIC

THIRD ANGLE
PROJECTION

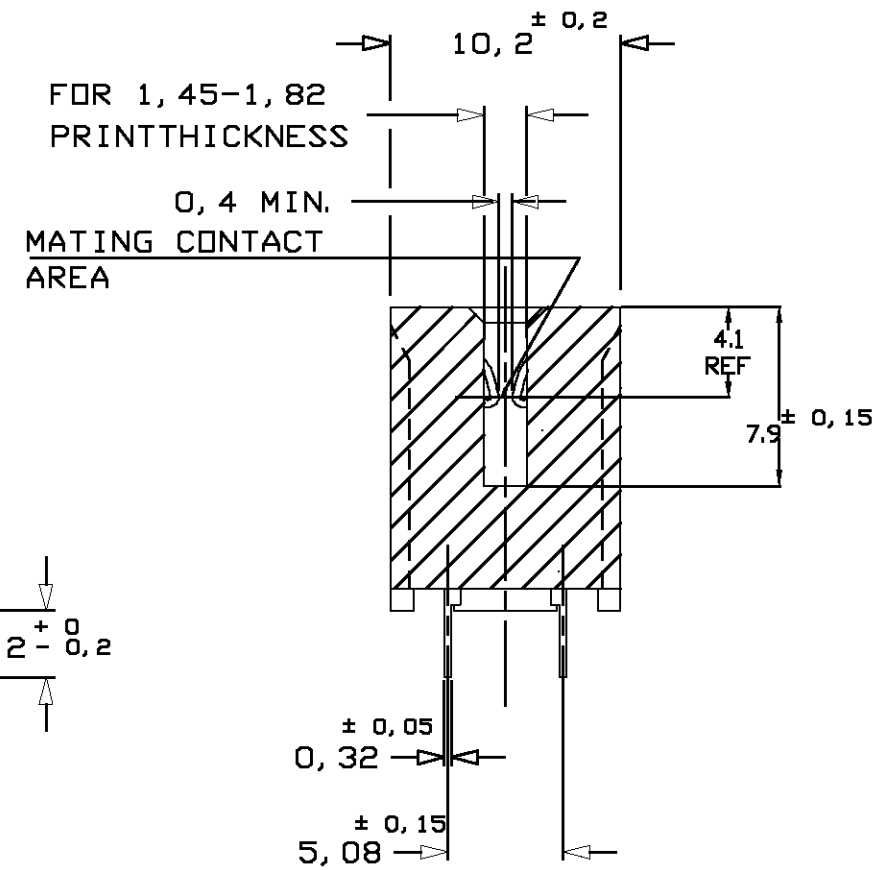


NOTES:

- 1 FOR TYCO P/N PLEASE SEE TABLE
- 2 FOR CALCULATING DIMENSIONS:
TAKE NUMBER OF POSITIONS
FOR EXAMPLE: 18 POSITIONS
 $C = (N-1) \times 2,54 + 8,6 = 51,78$
- 3 PRODUCT SPECIFICATION : 108-19041
- 4 PACKAGING: ON PLASTIC TUBES, BOXED.



SECTION A-A



BOARD TO BOARD
CONTACT POST FOR
0,8min DIA HOLE

CONTACT: 0,4µm MIN SELECTIVE
GOLD PLTD ON MATING CONTACT
AREA AND 3,0µm MIN TIN PLTD
ON CONTACT POST, OVER 1,25µm
MIN NI PLTD UNDERLAYER

HOUSING: THERMOPLASTIC
POLYESTER 20% GF, UL94-V0
COLOUR GREEN
CONTACT: PH. BRONZE H06

166087-...
(SEE TABLE)

CUSTOMER
DRAWING

tyco
Electronics

tyco Electronics AMP Italia S.p.A.
C.so F.lli Cervi, 15 - Collegno (TO)

FOR REFERENCE ONLY
WILL NOT BE UPDATED

THIS DRAWING IS UNPUBLISHED RELEASED FOR PUBLICATION JULY 1986

© COPYRIGHT 1986 BY AMP-HOLLAND B.V.
ALL INTERNATIONAL RIGHTS RESERVED. AMP PRODUCTS MAY BE
COVERED BY U.S. AND FOREIGN PATENTS AND/OR PATENTS PENDING.

18	43.18	48.28	51.78	1-166087-8
12	27.94	33.04	36.54	1-166087-2
7	15.24	20.34	23.84	166087-7
5	10.16	15.26	18.76	166087-5
4	7.62	12.72	16.22	166087-4
3	5.08	10.18	13.68	166087-3
POS.	DIM 'A'	DIM 'B'	DIM 'C'	TYCO P/N

K3	ET00-0162-04	D.C.	C.T.	16JUL2004
K2	ET00-0016-04	D.C.	C.T.	09FEB2004
K1	ET00-0115-03	D.C.	C.T.	04JUL2003
K	ET00-0068-03	P.B	D.C	9-5-03
J	-	-	-	12-6-89
LTR.	REVISION RECORD	DR.	CHK.	DATE

C. SOUSA	DATE	08-07-86
J. BROEKSTEEG	DATE	08-07-86
L. V. SOEST	DATE	09-07-86

WIRE RANGE	NAME	3, 4 5, 7, 12, 18 POS. AMP-EDGE CONN. , DUAL LOADED WITH B. T. B. CONTACTS
INSUL. RANGE	SIZE	A3
SHEET	DRAWING NO	C-166087
1 OF 1	REV. LTR.	K3

8 7 6 5 4 3 2 1