



Chipsmall Limited consists of a professional team with an average of over 10 year of expertise in the distribution of electronic components. Based in Hongkong, we have already established firm and mutual-benefit business relationships with customers from,Europe,America and south Asia,supplying obsolete and hard-to-find components to meet their specific needs.

With the principle of “Quality Parts,Customers Priority,Honest Operation,and Considerate Service”,our business mainly focus on the distribution of electronic components. Line cards we deal with include Microchip,ALPS,ROHM,Xilinx,Pulse,ON,Everlight and Freescale. Main products comprise IC,Modules,Potentiometer,IC Socket,Relay,Connector.Our parts cover such applications as commercial,industrial, and automotives areas.

We are looking forward to setting up business relationship with you and hope to provide you with the best service and solution. Let us make a better world for our industry!



Contact us

Tel: +86-755-8981 8866 Fax: +86-755-8427 6832

Email & Skype: info@chipsmall.com Web: www.chipsmall.com

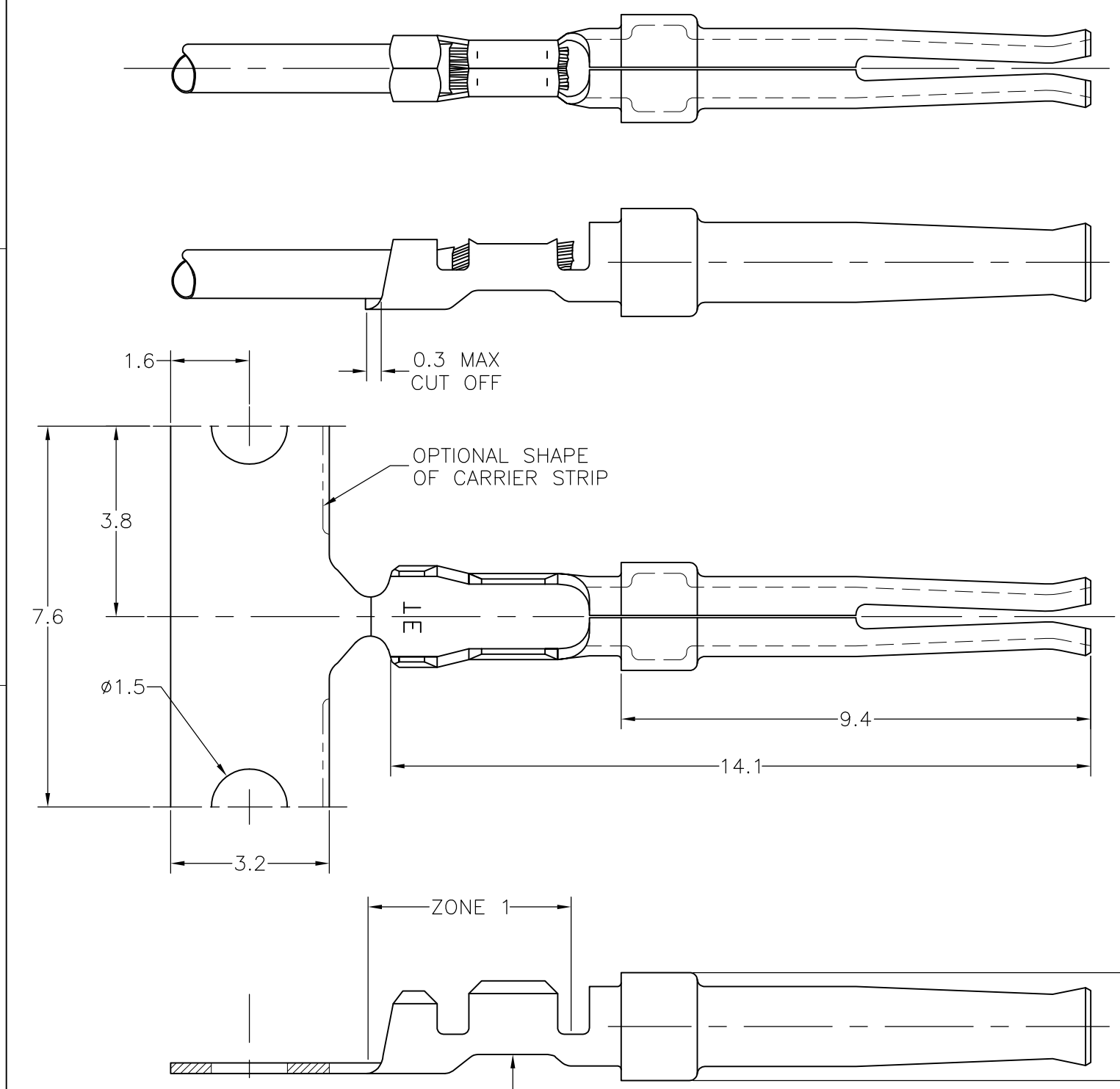
Address: A1208, Overseas Decoration Building, #122 Zhenhua RD., Futian, Shenzhen, China



THIS DRAWING IS UNPUBLISHED. RELEASED FOR PUBLICATION
 © COPYRIGHT - By - ALL RIGHTS RESERVED.

LOC	DIST	REVISIONS			
P	LTR	DESCRIPTION	DATE	DWN	APVD
GP	00	T	REVISED PER ECO-11-020101	10APR2012	CJV CWR

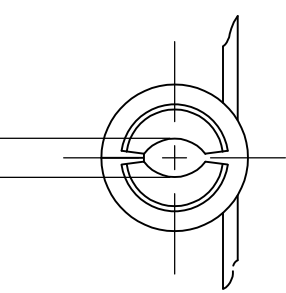
- NOTES:
- 1 FOR MINI-APPLICATOR-12500 PCS REEL.
 - 2 FOR REEL-FEED HAND TOOLING-500 PCS REEL.
 - 3 FOR HAND TOOLING- LOOSE PIECE.
 - 4. MATERIAL: PHOSPHORBRONZE.
 - 5 FINISH:
 - Ni UNDERPLATING ALL OVER.
 - CONTACT AREA PLATING MEETS IEC-807-3 PERFORMANCE LEVEL 2.
 - CRIMP ZONE Sn PLATED.



WIRE RANGE: 28-24 AWG(0,08-0,22mm²)
 INSUL. RANGE: 0,76-1,02 DIA

BLUE COLOR CODE
(LOOSE-PIECE ONLY)

I.D. ACCOMMODATES
 $\phi 1,0$ PIN



5	166292-1	5-166052-1	166052-1
FINISH	LOOSE PIECE 3	PART NUMBER 2	PART NUMBER 1
THIS DRAWING IS A CONTROLLED DOCUMENT. DIMENSIONS: mm TOLERANCES UNLESS OTHERWISE SPECIFIED: 0 PLC ± - 1 PLC ± 0,127 2 PLC ± - 3 PLC ± - 4 PLC ± - ANGLES ± - MATERIAL - FINISH -		STE TE Connectivity NAME: T.DE BOER PRODUCT SPEC: 108-40005 APPLICATION SPEC: 114-10000 WEIGHT: - CUSTOMER DRAWING	
SOCKET CONTACT, SIZE 20 DF.		SIZE: A3 CAGE CODE: 00779 DRAWING NO: C-166052	RESTRICTED TO: - SCALE: NTS SHEET: 1 OF 1 REV: T