



Chipsmall Limited consists of a professional team with an average of over 10 year of expertise in the distribution of electronic components. Based in Hongkong, we have already established firm and mutual-benefit business relationships with customers from,Europe,America and south Asia,supplying obsolete and hard-to-find components to meet their specific needs.

With the principle of “Quality Parts,Customers Priority,Honest Operation,and Considerate Service”,our business mainly focus on the distribution of electronic components. Line cards we deal with include Microchip,ALPS,ROHM,Xilinx,Pulse,ON,Everlight and Freescale. Main products comprise IC,Modules,Potentiometer,IC Socket,Relay,Connector.Our parts cover such applications as commercial,industrial, and automotives areas.

We are looking forward to setting up business relationship with you and hope to provide you with the best service and solution. Let us make a better world for our industry!



Contact us

Tel: +86-755-8981 8866 Fax: +86-755-8427 6832

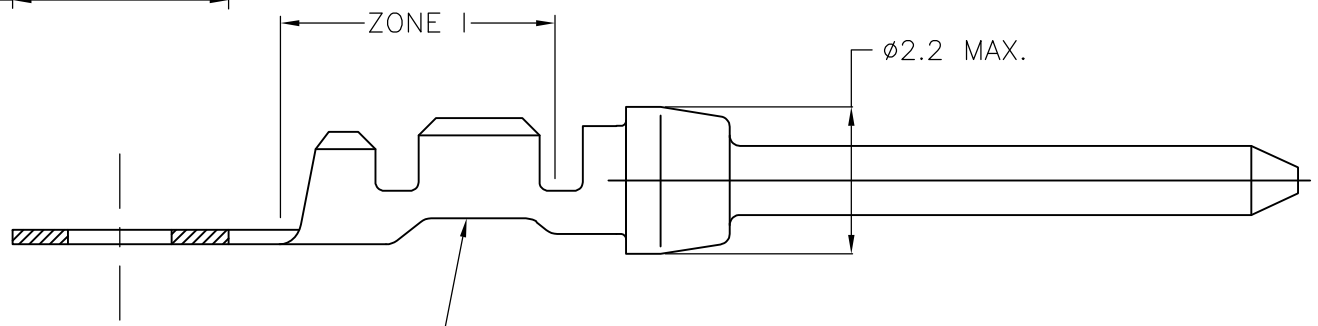
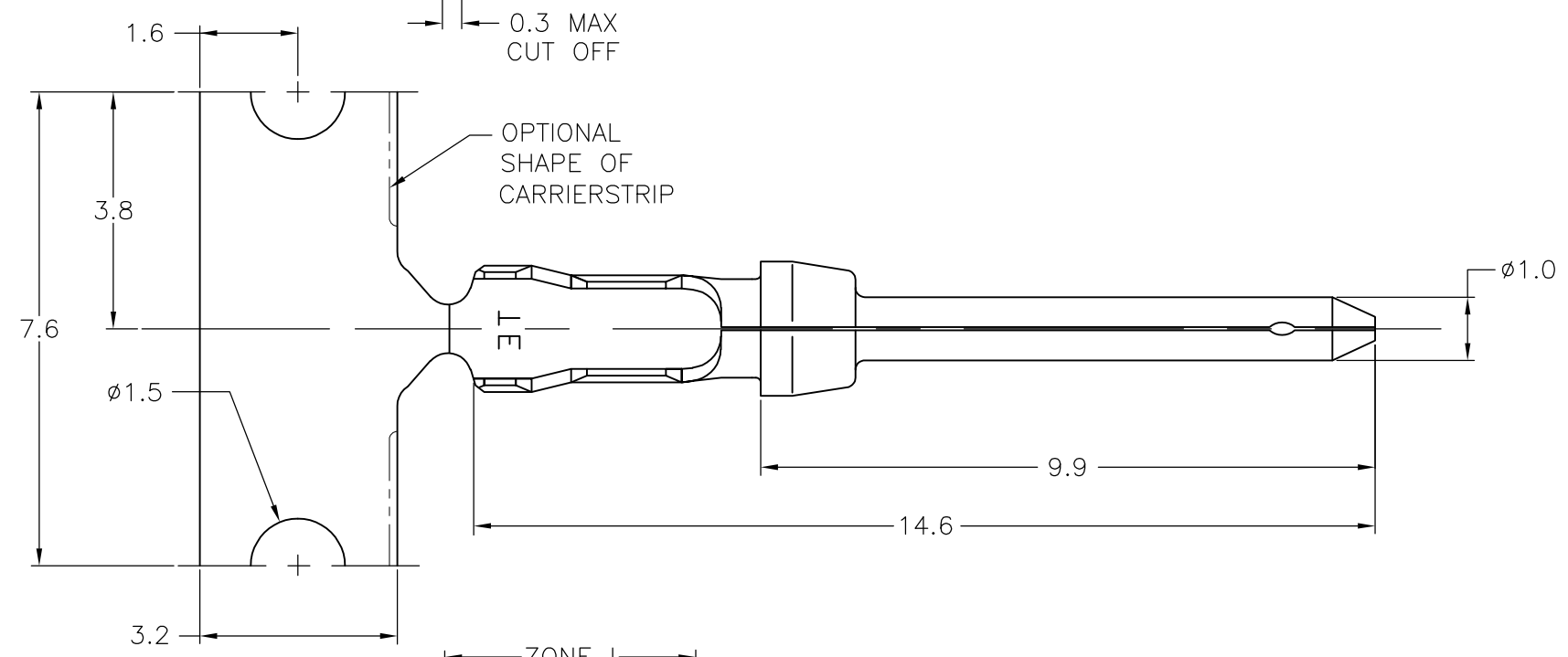
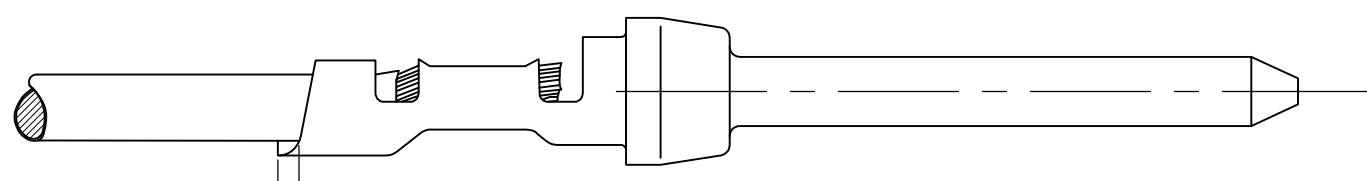
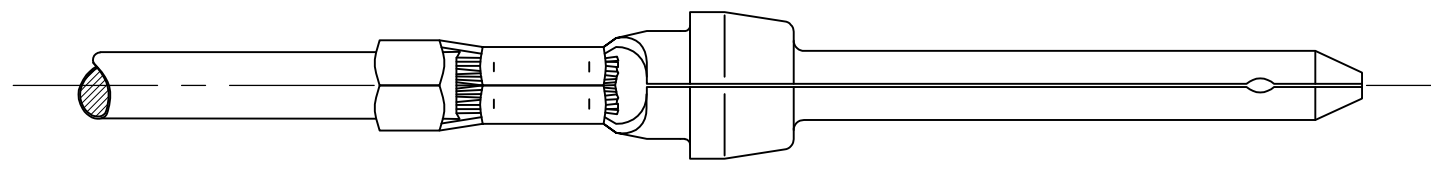
Email & Skype: info@chipsmall.com Web: www.chipsmall.com

Address: A1208, Overseas Decoration Building, #122 Zhenhua RD., Futian, Shenzhen, China



THIS DRAWING IS UNPUBLISHED. RELEASED FOR PUBLICATION
 © COPYRIGHT - By - ALL RIGHTS RESERVED.

LOC	DIST	REVISIONS					
GP	00	P	LTR	DESCRIPTION	DATE	DWN	APVD
			Z	REVISED PER ECO-11-020101	12APR2012	CJV	CWR



RED COLOR CODE
(LOOSE-PIECE ONLY)

- △1 FOR MINI-APPLICATOR-12500 PCS REEL.
- △2 FOR REEL-FEED HAND TOOLING-500 PCS REEL.
- △3 FOR HAND TOOLING- LOOSE PIECE.
- 4. MATERIAL: BRASS.
- △5 FINISH:
 - Ni UNDERPLATING ALL OVER.
 - CONTACT AREA PLATING MEETS IEC-807-3 PERFORMANCE LEVEL 2.
 - CRIMP ZONE Sn PLATED.

WIRE RANGE: 24-20 AWG(0,56-0,20mm²)
 INSUL. RANGE: 1,27 - 1,52 DIA.

△5	166293-1	5-166053-1	166053-1
FINISH	LOOSE PIECE △3	PART NUMBER △2	PART NUMBER △1

THIS DRAWING IS A CONTROLLED DOCUMENT.
 DIMENSIONING AND TOLERANCING PER ASME Y14.5M-2009

DIMENSIONS:	TOLERANCES UNLESS OTHERWISE SPECIFIED:
mm	
	0 PLC ± -
	1 PLC ± 0,127
	2 PLC ± -
	3 PLC ± -
	4 PLC ± -
	ANGLES ± -
MATERIAL	FINISH
-	-

DWN	-	STE TE Connectivity	
CHK	09SEP08		
K. MALCZYK		NAME	
APVD		T. DE BOER	
PRODUCT SPEC		108-40005	
APPLICATION SPEC		114-10000	
WEIGHT	-	SIZE	A3
CUSTOMER DRAWING		CAGE CODE	00779
		DRAWING NO	C-166053
		RESTRICTED TO	-
SCALE		NTS	SHEET 1 OF 1
		REV	Z