



Chipsmall Limited consists of a professional team with an average of over 10 year of expertise in the distribution of electronic components. Based in Hongkong, we have already established firm and mutual-benefit business relationships with customers from,Europe,America and south Asia,supplying obsolete and hard-to-find components to meet their specific needs.

With the principle of “Quality Parts,Customers Priority,Honest Operation,and Considerate Service”,our business mainly focus on the distribution of electronic components. Line cards we deal with include Microchip,ALPS,ROHM,Xilinx,Pulse,ON,Everlight and Freescale. Main products comprise IC,Modules,Potentiometer,IC Socket,Relay,Connector.Our parts cover such applications as commercial,industrial, and automotives areas.

We are looking forward to setting up business relationship with you and hope to provide you with the best service and solution. Let us make a better world for our industry!



Contact us

Tel: +86-755-8981 8866 Fax: +86-755-8427 6832

Email & Skype: info@chipsmall.com Web: www.chipsmall.com

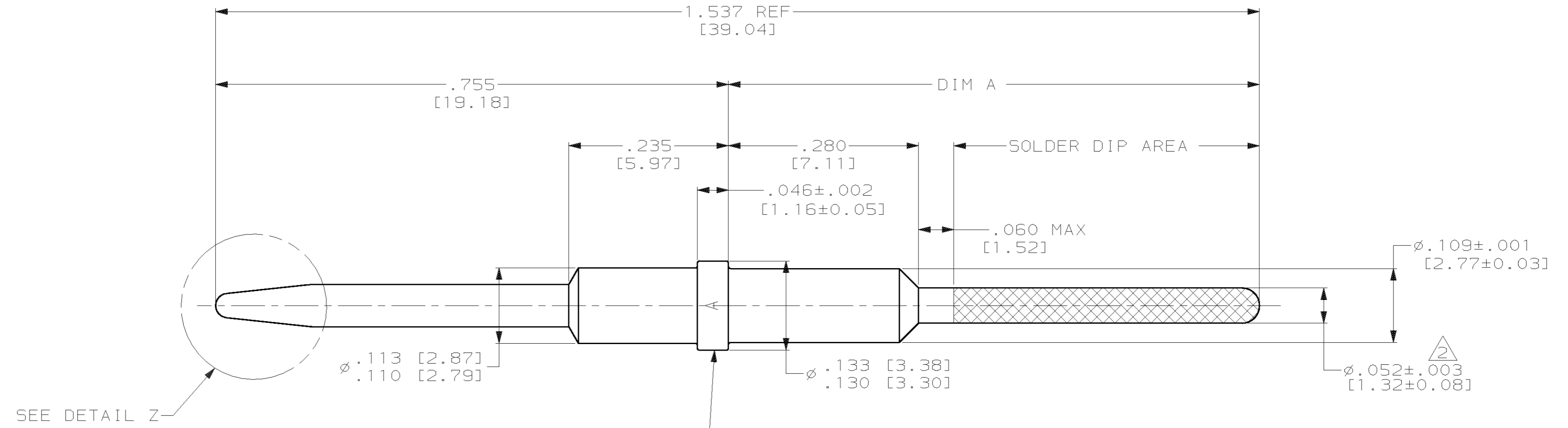
Address: A1208, Overseas Decoration Building, #122 Zhenhua RD., Futian, Shenzhen, China



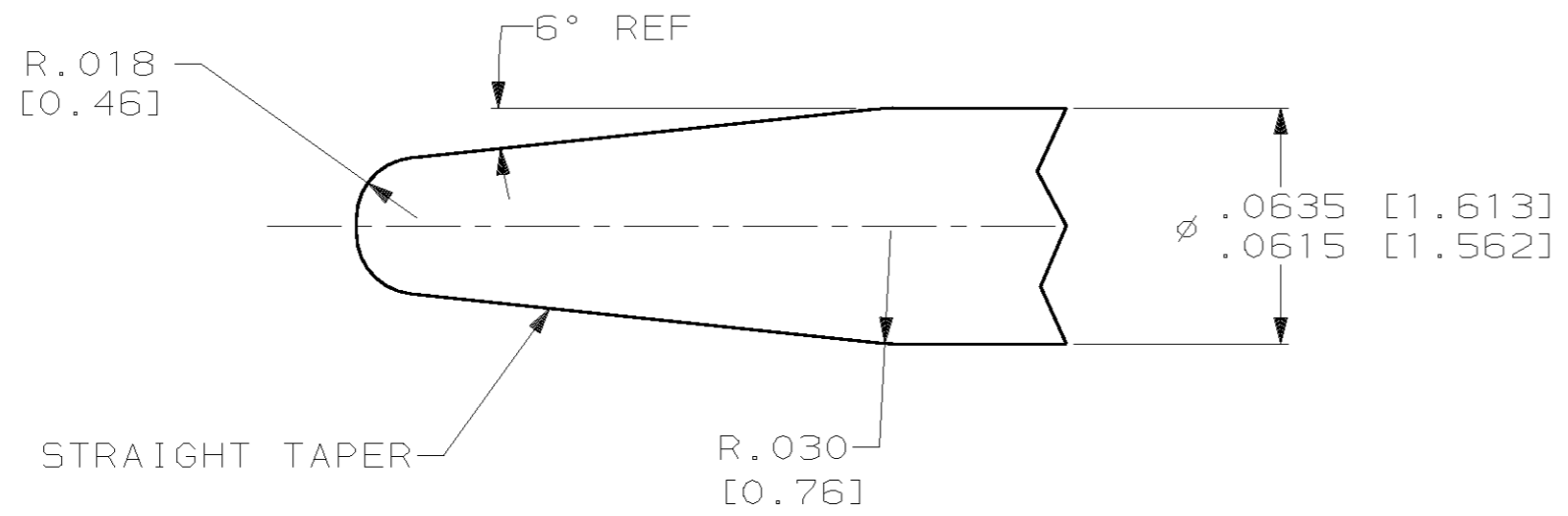
THIS DRAWING IS UNPUBLISHED. RELEASED FOR PUBLICATION .19
 (C) COPYRIGHT 19 BY AMP INCORPORATED. ALL RIGHTS RESERVED.

LOC	DIST	REVISIONS					
DF	AO	P	LTR	DESCRIPTION	DATE	DWN	APVD
		B		REV PER 063D-0517-03	9-11-03	JMK	SG

- 1. FOR USE IN ARINC 600 REAR RELEASE INSERT.
- 2. DIMENSIONS APPLY BEFORE SOLDER DIP.



MAT'L: LEADED COPPER PER ASTM-B-301
 FINISH: PLATED GOLD .000050 [0.0012] MIN THK
 PER ASTM-B-488 OVER NICKEL .000050 [0.0012]
 MIN THK. PER QQ-N-290



DETAIL Z
 SCALE 20:1

.522 [13.26]	NO	1-1663128-0
.652 [16.56]	NO	1663128-8
.635 [16.13]	YES	1663128-6
.635 [16.13]	NO	1663128-5
.782 [19.86]	YES	1663128-3
.782 [19.86]	NO	1663128-2
DIM A	SOLDER DIP	PART NUMBER

THIS DRAWING IS A CONTROLLED DOCUMENT.		DWN C.C.THOMAS 11-19-02	 TYCO Electronics Harrisburg, PA 17105-3608	
DIMENSIONS: INCHES [mm]	TOLERANCES UNLESS OTHERWISE SPECIFIED:	CHK S.GLATFELTER 11-19-02	 AMP	
	0 PLC ±-	APVD S.GLATFELTER 11-19-02	NAME S. GLATFELTER	
	1 PLC ±-	PRODUCT SPEC	-	
	2 PLC ±-	APPLICATION SPEC	-	
	3 PLC ±.005 [0.13]	WEIGHT	-	
	4 PLC ±-	CUSTOMER DRAWING	-	
	ANGLES ±-	SCALE	8:1	
MATERIAL SEE CALLOUT	FINISH SEE CALLOUT	SIZE	A2	
		CAGE CODE	00779	
		DRAWING NO	1663128	
		RESTRICTED TO	-	
		SHEET	1 OF 1	
		REV	B	