



Chipsmall Limited consists of a professional team with an average of over 10 year of expertise in the distribution of electronic components. Based in Hongkong, we have already established firm and mutual-benefit business relationships with customers from,Europe,America and south Asia,supplying obsolete and hard-to-find components to meet their specific needs.

With the principle of "Quality Parts,Customers Priority,Honest Operation,and Considerate Service",our business mainly focus on the distribution of electronic components. Line cards we deal with include Microchip,ALPS,ROHM,Xilinx,Pulse,ON,Everlight and Freescale. Main products comprise IC,Modules,Potentiometer,IC Socket,Relay,Connector.Our parts cover such applications as commercial,industrial, and automotives areas.

We are looking forward to setting up business relationship with you and hope to provide you with the best service and solution. Let us make a better world for our industry!



Contact us

Tel: +86-755-8981 8866 Fax: +86-755-8427 6832

Email & Skype: info@chipsmall.com Web: www.chipsmall.com

Address: A1208, Overseas Decoration Building, #122 Zhenhua RD., Futian, Shenzhen, China



4

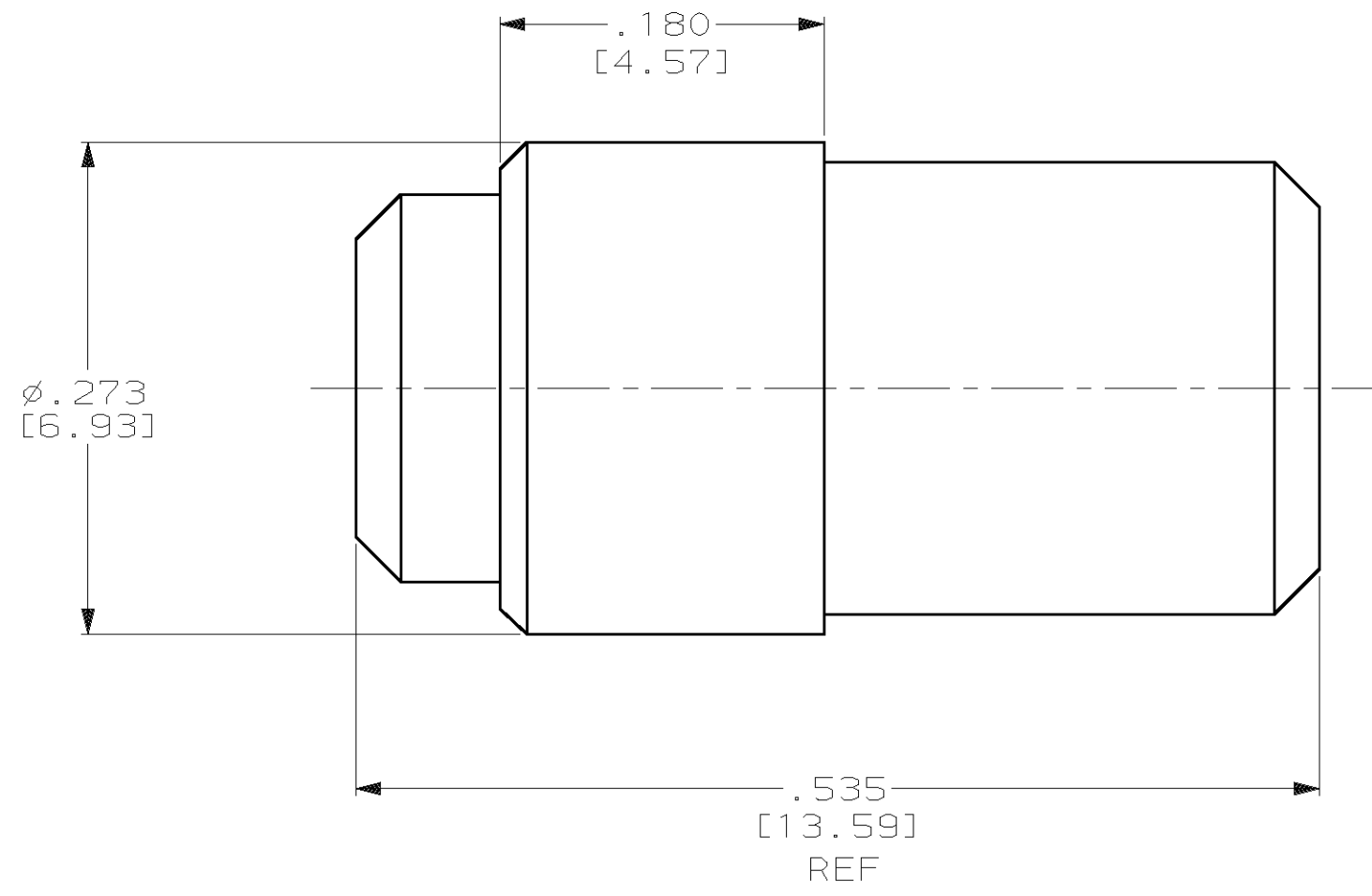
3

2

1

THIS DRAWING IS UNPUBLISHED. RELEASED FOR PUBLICATION ,19 .
 © COPYRIGHT 19 BY AMP INCORPORATED. ALL RIGHTS RESERVED.

LOC		DIST		REVISIONS			
P	LTR	DESCRIPTION	DATE	DWN	APVD		
DF	AO	0	RELEASED	11-02	CT	SG	



1. FOR USE IN ARINC 600 OR ARINC 404 REAR RELEASE SIZE 5 PIN CONTACT CAVITY.

1663132-1
PART NO.

THIS DRAWING IS A CONTROLLED DOCUMENT.		DWN	C.C. THOMAS	11-19-02	tyco Electronics	TYCO Electronics Harrisburg, PA 17105-3608		AMP		
DIMENSIONS: INCHES [mm]		CHK	S. GLATFELTER	11-19-02		NAME				
TOLERANCES UNLESS OTHERWISE SPECIFIED:		APVD	S. GLATFELTER	11-19-02	FILLER PLUG, SIZE 5, ARINC 600					
0 PLC ±-		PRODUCT SPEC		-		SIZE		CAGE CODE	DRAWING NO	RESTRICTED TO
1 PLC ±-		APPLICATION SPEC		-		A3		00779	C= 1663132	-
2 PLC ±-		WEIGHT		-		SCALE		SHEET	OF	REV
3 PLC ±.005 [0.13]		CUSTOMER DRAWING		-		10:1		1	1	0
4 PLC ±-		MATERIAL		TEFLON PER ASTM-D-1457		FINISH		-		
ANGLES ±-		FINISH		-						