



Chipsmall Limited consists of a professional team with an average of over 10 year of expertise in the distribution of electronic components. Based in Hongkong, we have already established firm and mutual-benefit business relationships with customers from,Europe,America and south Asia,supplying obsolete and hard-to-find components to meet their specific needs.

With the principle of “Quality Parts,Customers Priority,Honest Operation,and Considerate Service”,our business mainly focus on the distribution of electronic components. Line cards we deal with include Microchip,ALPS,ROHM,Xilinx,Pulse,ON,Everlight and Freescale. Main products comprise IC,Modules,Potentiometer,IC Socket,Relay,Connector.Our parts cover such applications as commercial,industrial, and automotives areas.

We are looking forward to setting up business relationship with you and hope to provide you with the best service and solution. Let us make a better world for our industry!



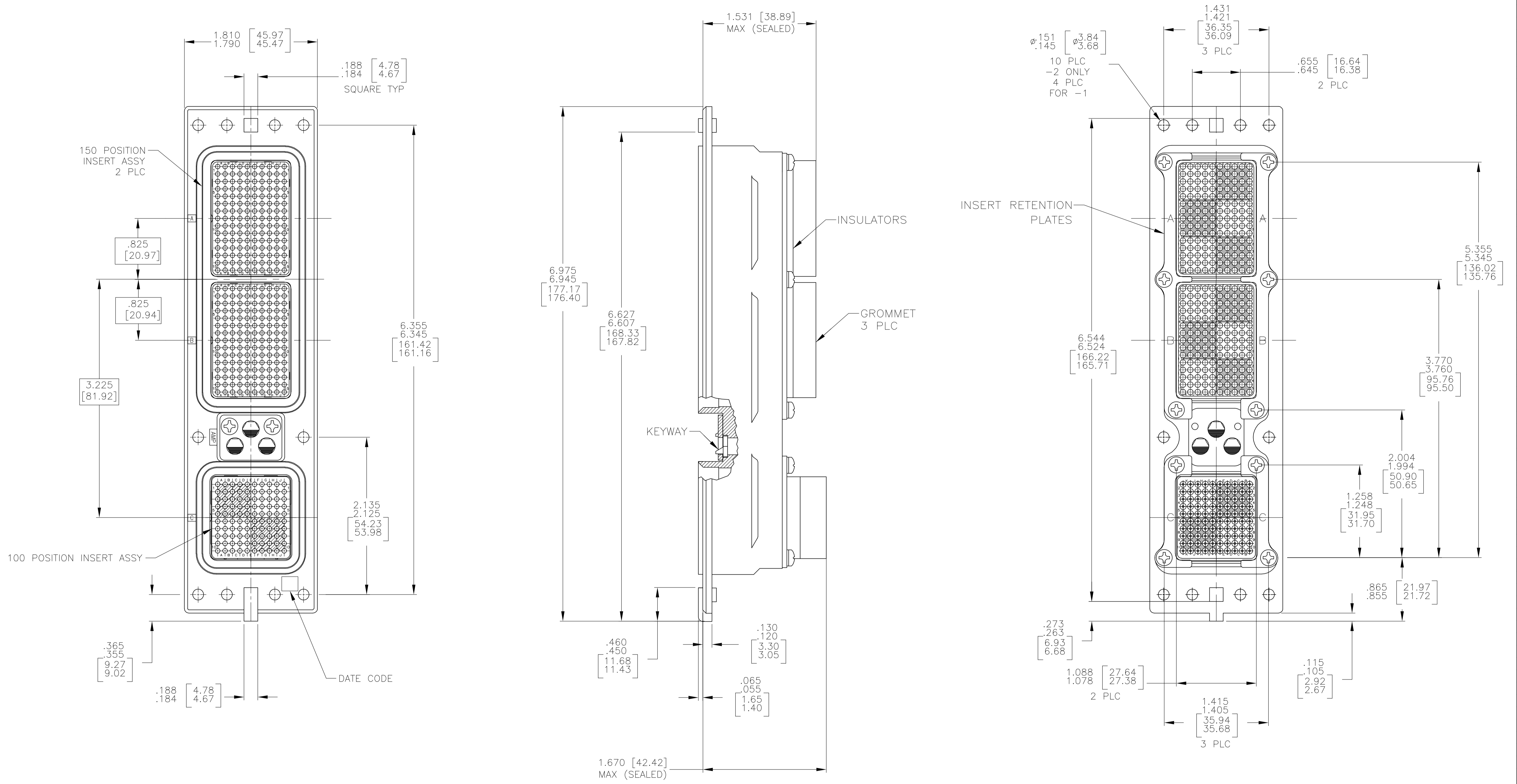
Contact us

Tel: +86-755-8981 8866 Fax: +86-755-8427 6832

Email & Skype: info@chipsmall.com Web: www.chipsmall.com

Address: A1208, Overseas Decoration Building, #122 Zhenhua RD., Futian, Shenzhen, China





- CONNECTOR DIMENSIONS ARE PER ARINC 600 SPECIFICATION
- CLINCH NUTS NOT SHOWN FOR 1663319-1. SEE TABLE FOR CLINCH NUT INSTALLATION ON OTHER DASH NUMBERS.
- KEYING SHOWN IN POSITION "01" FOR REFERENCE ONLY. SEE TABLE FOR KEYING POSITION. FOR POSITION "00" KEYING SHIPPED UNASSEMBLED.
- FOLLOWING CONTACTS ARE INCLUDED AND NOT LOADED:
 1663319-1: SIZE 22 SOCKET CONTACT: AMP P/N 208215-3; QTY: 400
 1663319-2: SIZE 22 SOCKET CONTACT: AMP P/N 208264-2; QTY: 400

| COMPONENT | MATERIAL | FINISH |
|--------------------------------|--|--|
| SHELL | DIE CAST ALUMINUM PER ASTM-B-85 | CHEMICAL COVERSION COATING PER MIL-C-5541, CLASS 1A |
| INSERT RETENTION PLATES | ALUMINUM ALLOY PER ASTM-B-209 | CHEMICAL COVERSION COATING PER MIL-C-5541, CLASS 1A |
| SCREWS AND LOCKWASHERS | STEEL OR STAINLESS STEEL | CHROMATE OVER ZINC OR PASSIVATED |
| POLARIZING POSTS | ZINC ALLOY PER ASTM-B-86 | ELECTROLESS NICKEL PER MIL-C-26074, CLASS 4, GRADE B |
| INSERTS | THERMOSET OR THERMOPLASTIC PPS PER MIL-M-24519 | - |
| POLARIZING KEY RETAINING PLATE | ALUMINUM ALLOY PER ASTM-B-209 | BLUE ANODIZED PER MIL-A-8625 |
| - | - | - |
| - | - | - |

PRELIMINARY-- NOT RELEASED FOR PRODUCTION

| NIC66G26B01AA0 | NONE | 01 | 1663319-2 |
|--|--|---|-------------|
| - | (6) 6-32, NOT SHOWN | 01 | 1663319-1 |
| DESCRIPTIVE NUMBER | CLINCH NUT LOCATION | KEYING POSITION | PART NUMBER |
| THIS DRAWING IS A CONTROLLED DOCUMENT. | | | |
| DIMENSIONS: INCHES | TOLERANCES UNLESS OTHERWISE SPECIFIED: | DWN C.C.THOMAS 4-19-04 CHK S. GLATFELTER 4-20-04 APVD S. GLATFELTER 4-20-04 PRODUCT SPEC APPLICATION SPEC SIZE CAE CODE DRAWING NO A1 00779 C=1663319 RESTRICTED TO CUSTOMER DRAWING SCALE 1.5:1 SHEET 1 OF 1 REV 0 | |
| 0 PLC ± - | 1 PLC ± - | Tyco Electronics Corporation Harrisburg, Pa 17105-3608 RCPT ASSY, SIZE 2, SEALED, ARINC 600 (150/150/100) | |
| 2 PLC ± - | 3 PLC ± - | | |
| 4 PLC ± - | ANGLES ± - | | |
| FINISH SEE TABLE | FINISH SEE TABLE | | |