



Chipsmall Limited consists of a professional team with an average of over 10 year of expertise in the distribution of electronic components. Based in Hongkong, we have already established firm and mutual-benefit business relationships with customers from,Europe,America and south Asia,supplying obsolete and hard-to-find components to meet their specific needs.

With the principle of “Quality Parts,Customers Priority,Honest Operation,and Considerate Service”,our business mainly focus on the distribution of electronic components. Line cards we deal with include Microchip,ALPS,ROHM,Xilinx,Pulse,ON,Everlight and Freescale. Main products comprise IC,Modules,Potentiometer,IC Socket,Relay,Connector.Our parts cover such applications as commercial,industrial, and automotives areas.

We are looking forward to setting up business relationship with you and hope to provide you with the best service and solution. Let us make a better world for our industry!



Contact us

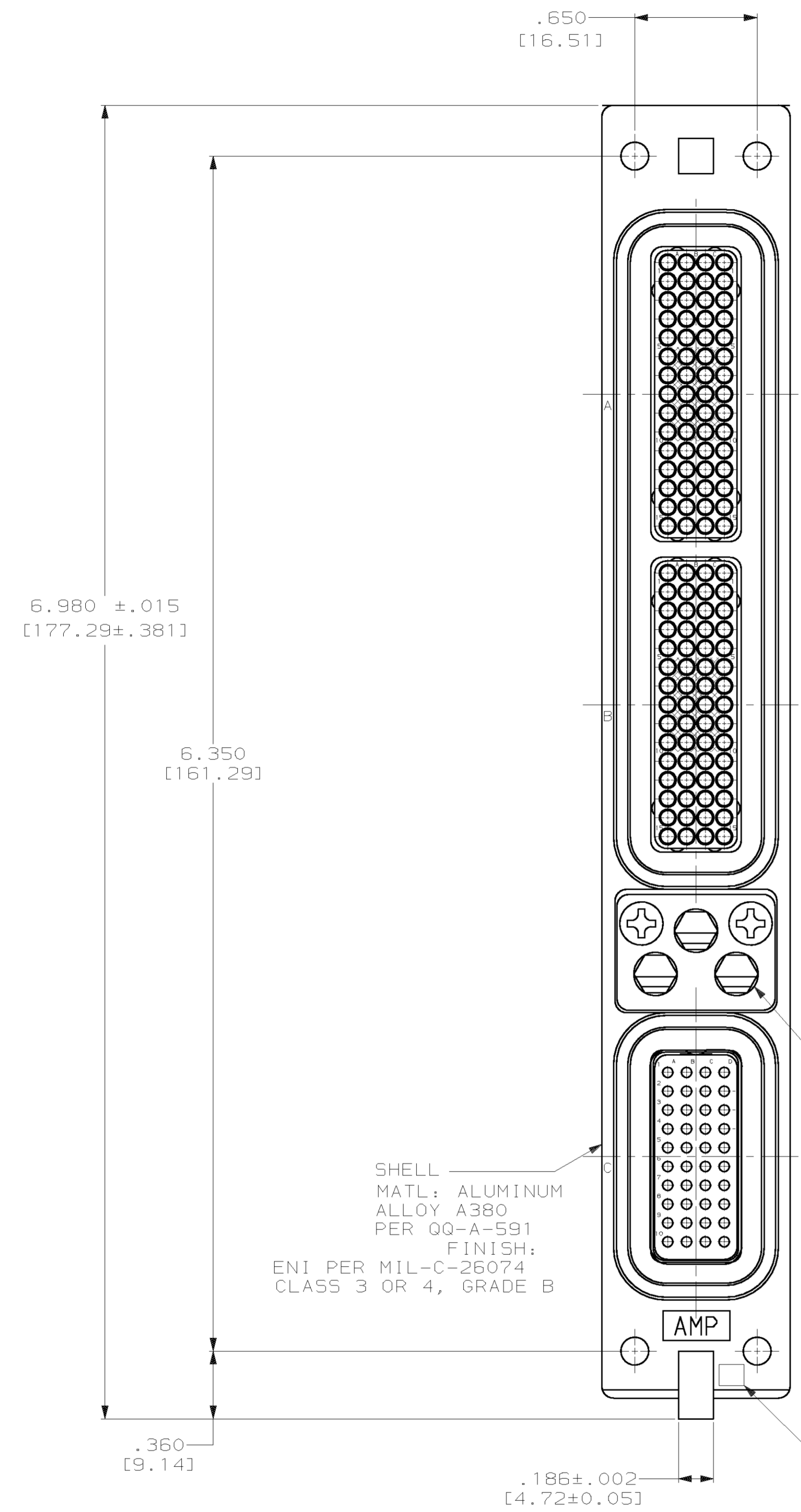
Tel: +86-755-8981 8866 Fax: +86-755-8427 6832

Email & Skype: info@chipsmall.com Web: www.chipsmall.com

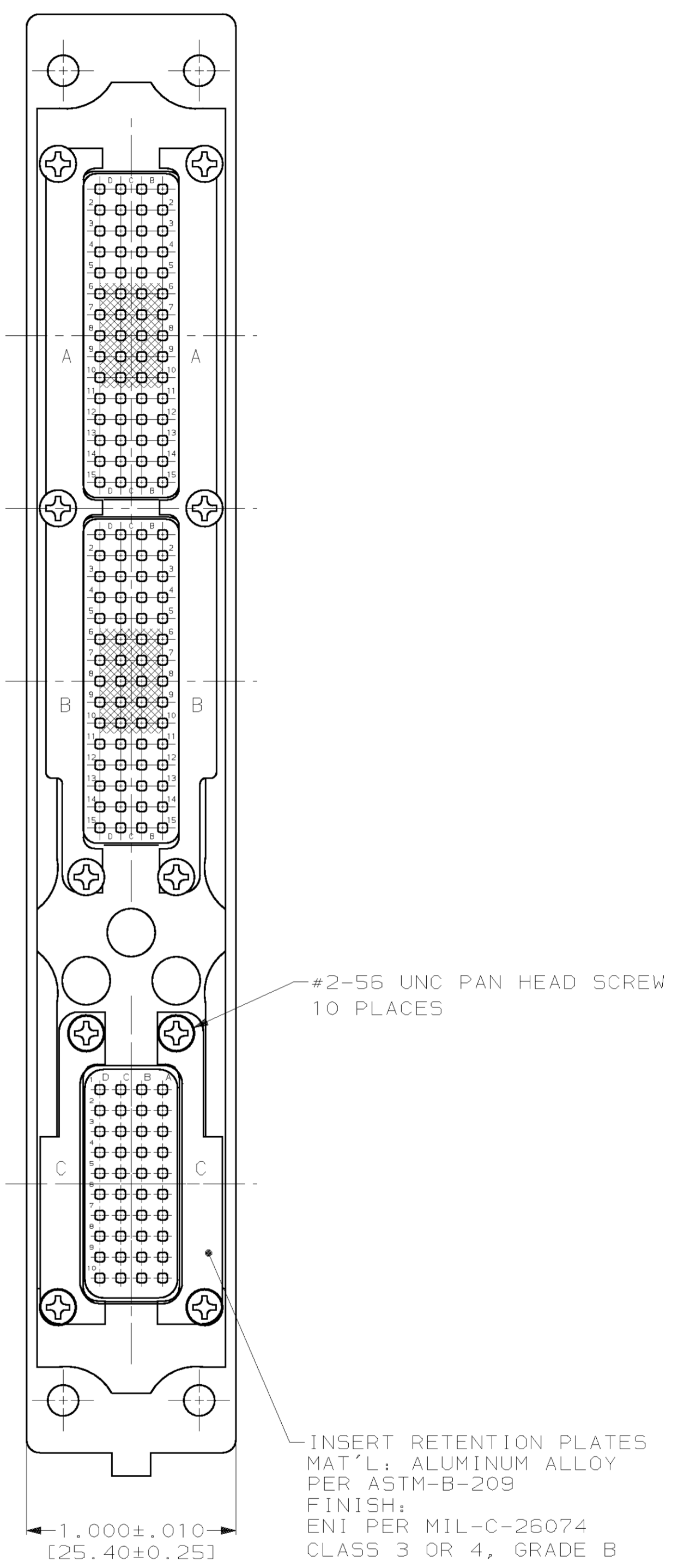
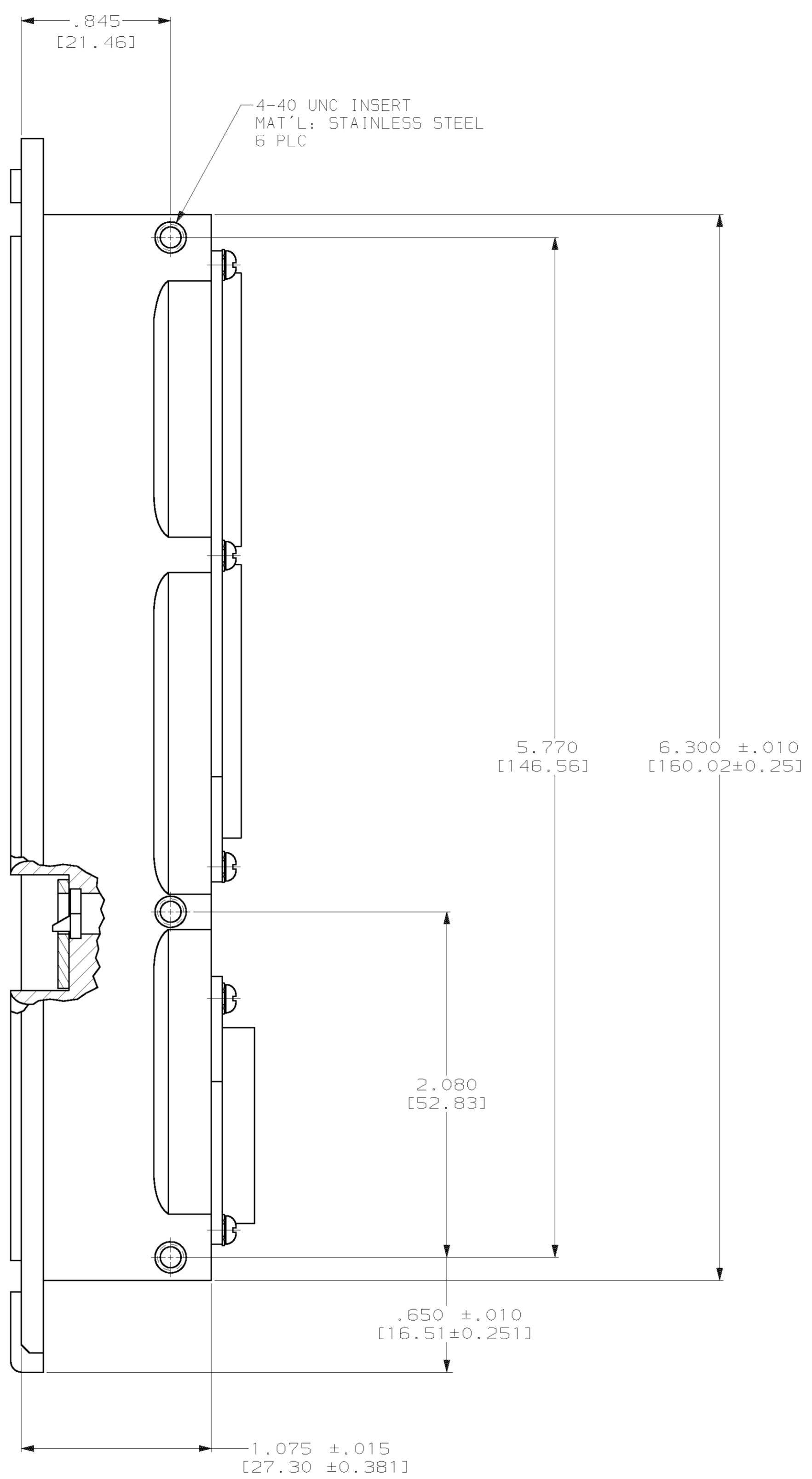
Address: A1208, Overseas Decoration Building, #122 Zhenhua RD., Futian, Shenzhen, China



LOC	DIST	P	F	ZONE	LTR	REVISIONS	DATE	APPD
DF	A0					0 RELEASED	5-03	SG



3
 POLARIZATION KEYWAYS
 MAT'L: ZINC ALLOY PER ASTM-B-86
 RETAINER PLATE
 MAT'L: ALUMINUM ALLOY PER AMS-QQ-A-250
 FINISH: BLUE ANODIZED PER MIL-A-8625



- PARTS MEET THE REQUIRMENTS OF THE ARINC 600 SPECIFICATION.
- NO CONTACTS ARE INCLUDED WITH THE CONNECTOR
- KEYING HARDWARE SUPPLIED UNASSEMBLED.

2	3	FRONT RELEASE 40 SOCKET	FRONT RELEASE 60 SOCKET	FRONT RELEASE 60 SOCKET	1663540-1
NOTES	C MODULE	B MODULE	A MODULE	PART NUMBER	
DO NOT SCALE PRINT. UNLESS SPECIFIED DIMENSIONS IN INCHES [mm]	DR 5-29-03 C.C. THOMAS	AMP AMP Incorporated Harrisburg, PA 17105-3608			
TOLERANCES - ON :	CHK 5-29-03 S. GLATFELTER				
2 PLC DEC ± -	APPD 5-29-03 S. GLATFELTER	NAME			
3 PLC DEC ± .005 [0.13]	RLSE 5-29-03 C.C. THOMAS	RECEPTACLE ASSEMBLY, SIZE ONE			
ANGLES ± -	PRODUCT SPEC -	ARINC 600, FRONT RELEASE			
MATERIAL	APPLICATION SPEC -	SIZE	CAGE CODE	DRAWING NO	
SEE CALLOUT	WEIGHT -	D	00779	1663540	
FINISH		SCALE	2:1	SHEET	1 OF 1