



Chipsmall Limited consists of a professional team with an average of over 10 year of expertise in the distribution of electronic components. Based in Hongkong, we have already established firm and mutual-benefit business relationships with customers from,Europe,America and south Asia,supplying obsolete and hard-to-find components to meet their specific needs.

With the principle of “Quality Parts,Customers Priority,Honest Operation,and Considerate Service”,our business mainly focus on the distribution of electronic components. Line cards we deal with include Microchip,ALPS,ROHM,Xilinx,Pulse,ON,Everlight and Freescale. Main products comprise IC,Modules,Potentiometer,IC Socket,Relay,Connector.Our parts cover such applications as commercial,industrial, and automotives areas.

We are looking forward to setting up business relationship with you and hope to provide you with the best service and solution. Let us make a better world for our industry!



Contact us

Tel: +86-755-8981 8866 Fax: +86-755-8427 6832

Email & Skype: info@chipsmall.com Web: www.chipsmall.com

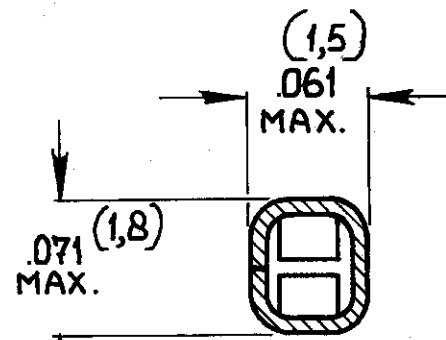
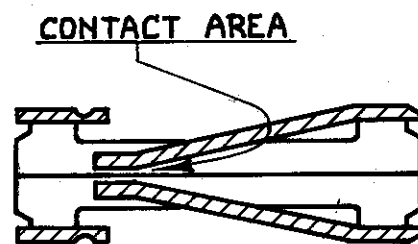
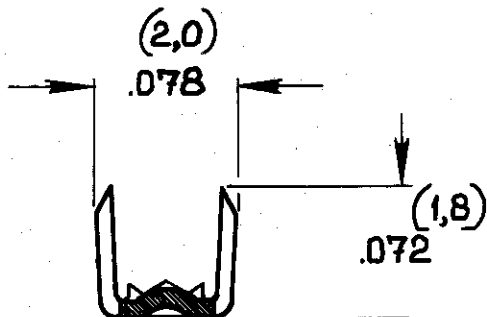
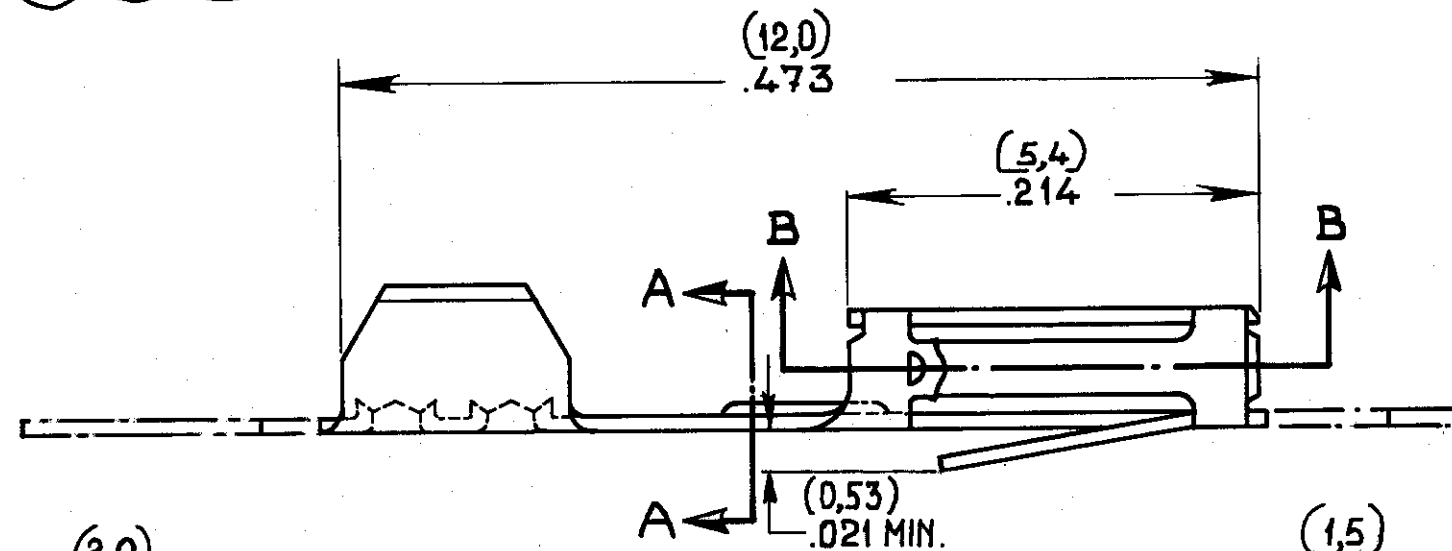
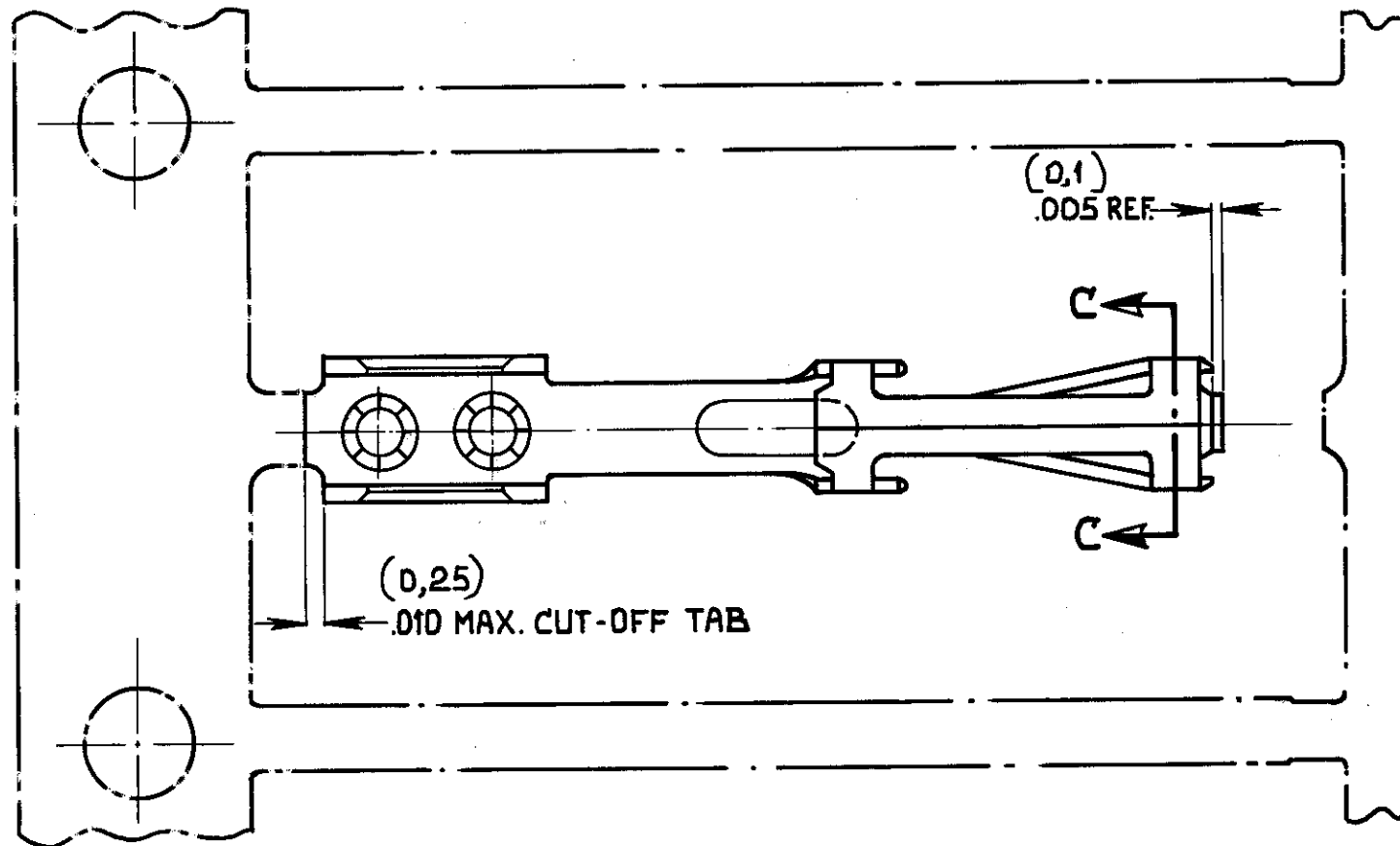
Address: A1208, Overseas Decoration Building, #122 Zhenhua RD., Futian, Shenzhen, China



| P | LTR | DESCRIPTION | DATE | DWN | APVD |
|----|-----|---------------|----------|-----|------|
| F1 | | ECR-08-015304 | 30-12-08 | AEG | WRV |

NOTES:

1. CONTACT IS DESIGNED FOR FLEXIBLE ETCHED CIRCUITS ACC. TO VDD-SPEC. MV-4511.
2. THIS PARTNR. TO BE ORDERED WHEN THE GERMAN X-Y APPLICATION MACHINE IS USED. (OR USA 455942 SERIES APPLICATOR)
3. THIS PARTNR. TO BE ORDERED WHEN THE GERMAN HAND OPERATED TODDLING IS USED. (OR USA 693790 SERIES APPLICATOR)
4. THIS PARTNR. IS FOR SPECIAL CUSTOMER DESIGNED TODDLING.
5. BUTT-WELD SPliced CONTACT STRIP. TO BE ORDERED WHEN OTHER THAN AMP APPLICATION MACHINES ARE USED.



OBSOLETE

| | | | |
|---|-----------|----------------|------------|
| 5 | 166395-4 | PHOSPHORBRONZE | PRETINNED |
| 4 | 166395-3 | PHOSPHORBRONZE | PRETINNED |
| 3 | 166395-2 | PHOSPHORBRONZE | PRETINNED |
| 2 | 166395-1 | PHOSPHORBRONZE | PRE-TINNED |
| | ORDER NO. | MATERIAL | PLATING |

CUSTOMER COPY FOR REFERENCE ONLY

| | | | | | | |
|--------------------|---------------------------|-----------------|--|----------------------------|--|-----------------|
| NUMBER C-166395 | DR W.R.VERBEET. | DATE 31-1'80 | ©1980 BY AMP-HOLLAND N.V. ALL RIGHTS RESERVED A-MP PRODUCTS COVERED BY PATENTS AND/OR PATENTS PENDING. | | AMP - HOLLAND N.V. 's-Hertogenbosch | |
| | CHK R. Versteijn | DATE 26-2-80 | WIRE-RANGE SEE NOTE 1 | INSUL.-RANGE SEE NOTE 1 | | FIRST USED # |
| | DE | DATE | SCALE # | SIZE B | NO C-166395 | REV F1 |
| | APP <i>[Signature]</i> | DATE 27.2.80 | NAME MODU-FEC RECEPTACLE CONTACT. | | | |

DIMENSIONS IN (M.M.) DO NOT SCALE PRINT