



Chipsmall Limited consists of a professional team with an average of over 10 year of expertise in the distribution of electronic components. Based in Hongkong, we have already established firm and mutual-benefit business relationships with customers from,Europe,America and south Asia,supplying obsolete and hard-to-find components to meet their specific needs.

With the principle of “Quality Parts,Customers Priority,Honest Operation,and Considerate Service”,our business mainly focus on the distribution of electronic components. Line cards we deal with include Microchip,ALPS,ROHM,Xilinx,Pulse,ON,Everlight and Freescale. Main products comprise IC,Modules,Potentiometer,IC Socket,Relay,Connector.Our parts cover such applications as commercial,industrial, and automotives areas.

We are looking forward to setting up business relationship with you and hope to provide you with the best service and solution. Let us make a better world for our industry!



Contact us

Tel: +86-755-8981 8866 Fax: +86-755-8427 6832

Email & Skype: info@chipsmall.com Web: www.chipsmall.com

Address: A1208, Overseas Decoration Building, #122 Zhenhua RD., Futian, Shenzhen, China



4

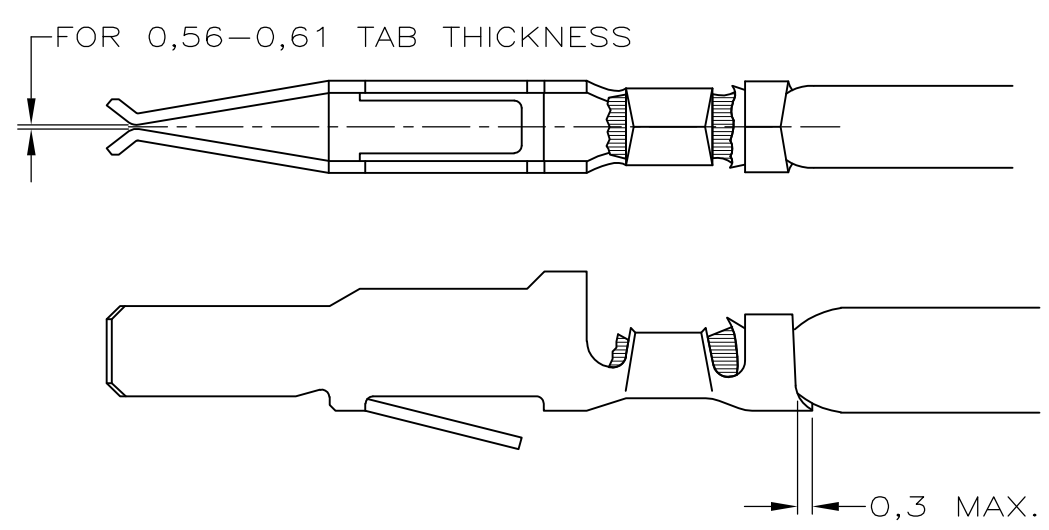
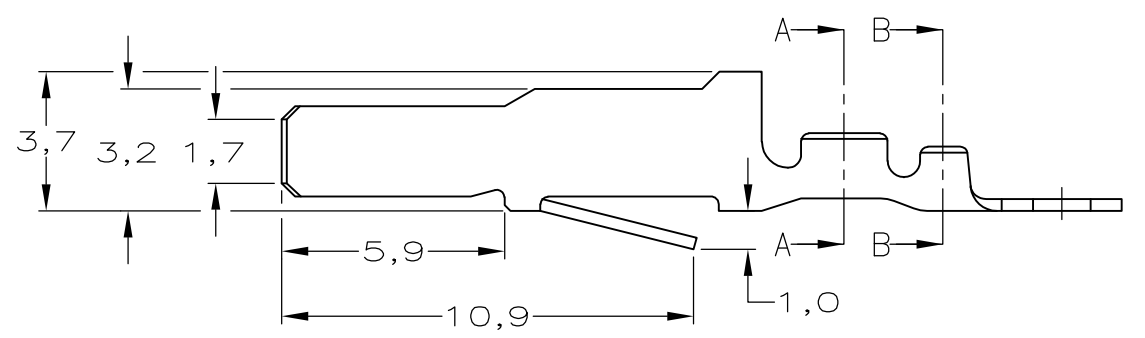
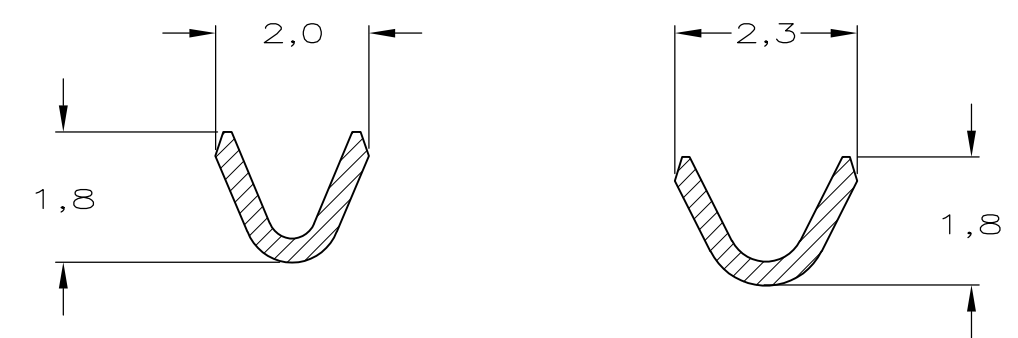
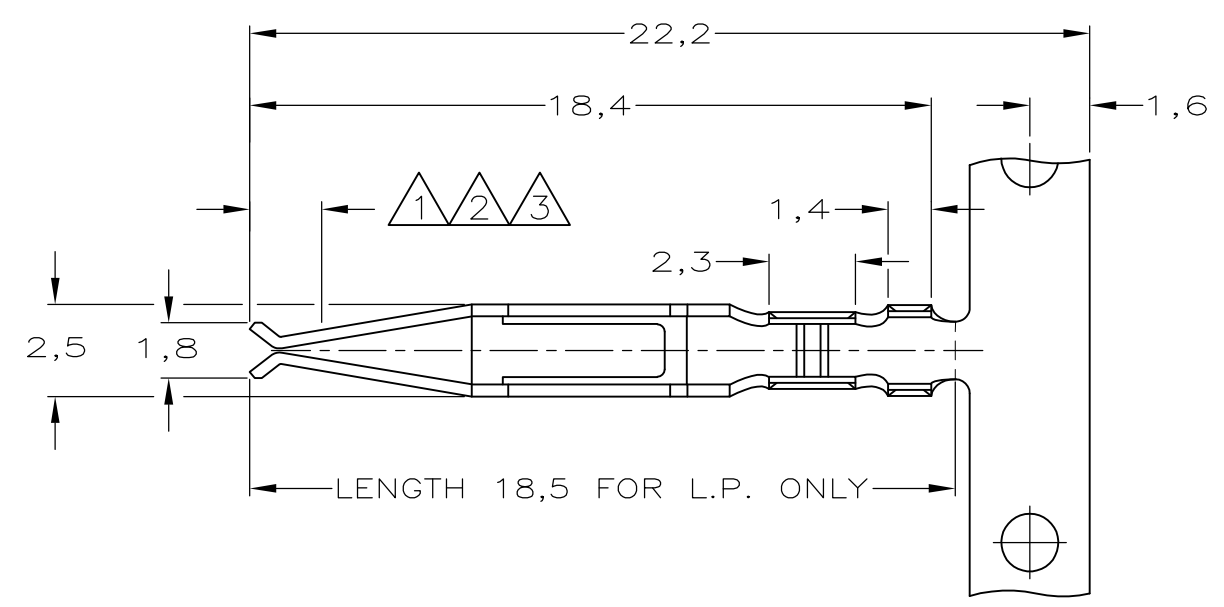
3

2

1

THIS DRAWING IS UNPUBLISHED. RELEASED FOR PUBLICATION
 © COPYRIGHT - By - ALL RIGHTS RESERVED.

LOC	DIST	REVISIONS					
		P	LTR	DESCRIPTION	DATE	DWN	APVD
			C	EH-1280-95	25-10-95	J.G.	R.v.L
			C1	ECR-10-026542	05JAN11	KK	HMR



NOTES:

- ① 1,25 μm SELECTIVE Au OVER 1,25 μm Ni. REMAINDER 1,25 μm Ni.
- ② 0,75 μm SELECTIVE Au OVER 1,25 μm Ni. REMAINDER 1,25 μm Ni.
- ③ 0,4 μm SELECTIVE Au OVER 1,25 μm Ni. REMAINDER 1,25 μm Ni.
- ④ WIRE RANGE 0,05-0,14 mm², INSULATION RANGE 0,3-0,7 mm.
- ⑤ OBSOLETE

⑤ 166631-3	SEE NOTE ③	PHOSPHORBRONZE	⑤ 166459-4
⑤ 166631-2	SEE NOTE ②	PHOSPHORBRONZE	166459-3
⑤ 166631-1	SEE NOTE ①	PHOSPHORBRONZE	⑤ 166459-2
LOOSE PIECE	FINISH	MATERIAL	PARTNUMBER

THIS DRAWING IS A CONTROLLED DOCUMENT.		DWN J.Gibbels 25-10-95	TE Connectivity		
DIMENSIONS: mm		CHK R.v.Lokven 02-11-95			
TOLERANCES UNLESS OTHERWISE SPECIFIED:		APVD -	NAME CRIMP-ON / SNAP-IN TAB RECEPTACLE STRIP		
0 PLC ± - 1 PLC ± - 2 PLC ± - 3 PLC ± - 4 PLC ± - ANGLES ± -		PRODUCT SPEC -	SIZE A3		
MATERIAL -		APPLICATION SPEC -	CAGE CODE 00779	DRAWING NO C-166459	RESTRICTED TO -
FINISH -		WEIGHT -	CUSTOMER DRAWING		SCALE -
		SHEET 1 OF 1		REV C1	