



Chipsmall Limited consists of a professional team with an average of over 10 year of expertise in the distribution of electronic components. Based in Hongkong, we have already established firm and mutual-benefit business relationships with customers from,Europe,America and south Asia,supplying obsolete and hard-to-find components to meet their specific needs.

With the principle of “Quality Parts,Customers Priority,Honest Operation,and Considerate Service”,our business mainly focus on the distribution of electronic components. Line cards we deal with include Microchip,ALPS,ROHM,Xilinx,Pulse,ON,Everlight and Freescale. Main products comprise IC,Modules,Potentiometer,IC Socket,Relay,Connector.Our parts cover such applications as commercial,industrial, and automotives areas.

We are looking forward to setting up business relationship with you and hope to provide you with the best service and solution. Let us make a better world for our industry!



Contact us

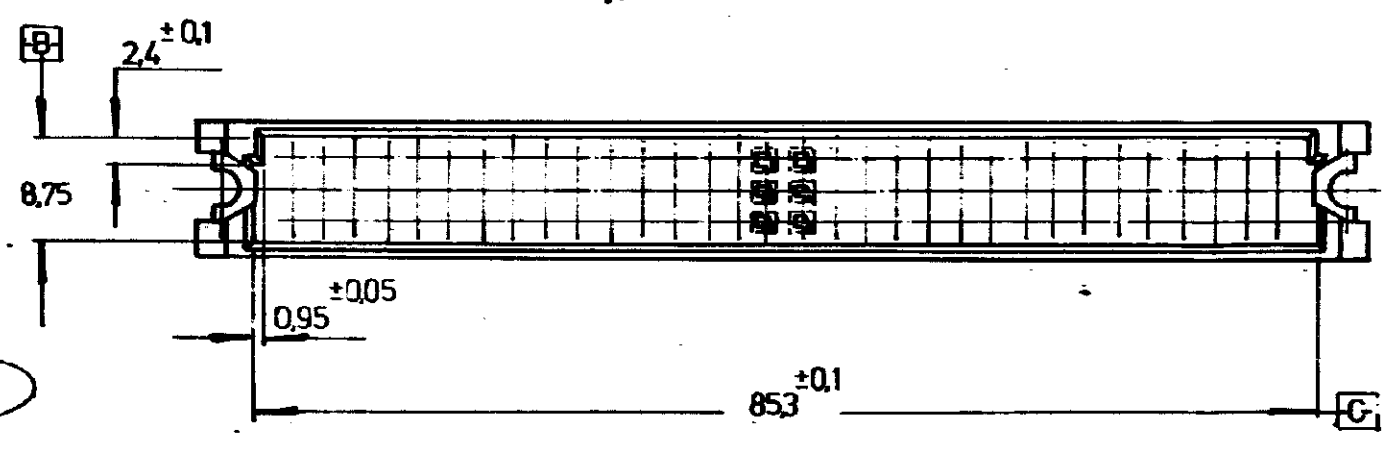
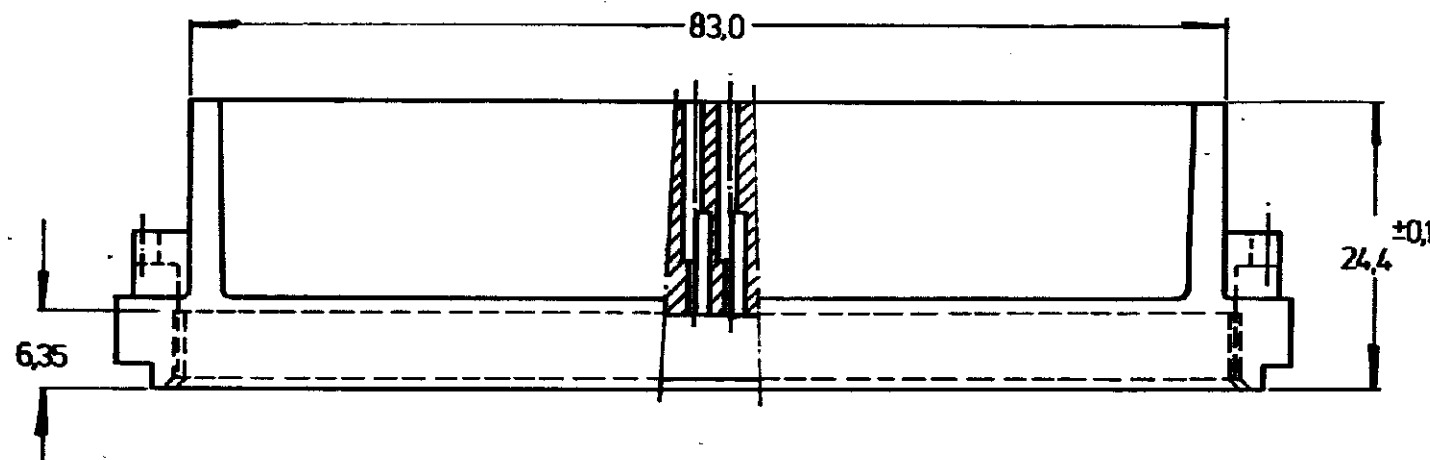
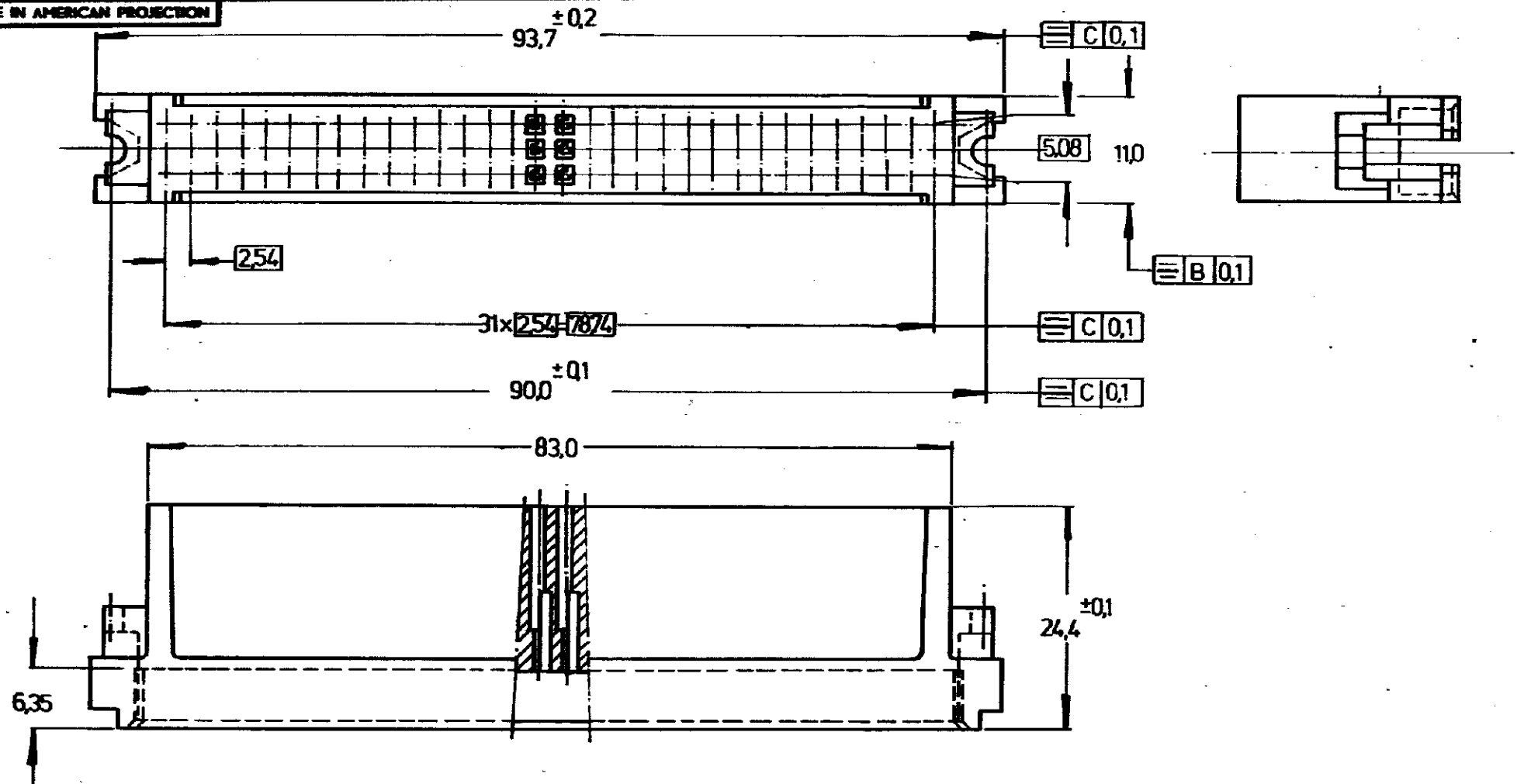
Tel: +86-755-8981 8866 Fax: +86-755-8427 6832

Email & Skype: info@chipsmall.com Web: www.chipsmall.com


Address: A1208, Overseas Decoration Building, #122 Zhenhua RD., Futian, Shenzhen, China



DRAWING MADE IN AMERICAN PROJECTION



DIMENSIONS IN M.M. DO NOT SCALE PRINT

166467-1		Glassfilled Polyester	Steel
ORDER NO.	MATERIAL	PLATING	
CUSTOMER COPY FOR REFERENCE ONLY			
DR	DATE	© 1967 BY AMP-HOLLAND N.V. ALL RIGHTS RESERVED. A-MP PRODUCTS COVERED BY PATENTS AND/OR PATENTS PENDING.	
CHK	DATE	 AMP - HOLLAND N.V. 's-Hertogenbosch	
DE	DATE		
APP	DATE	WIRE-RANGE	INSUL-RANGE
C. F. SWISS 30th June 68		SCALE 2:1	SIZE B
30.6.80		NO C_166467_E	
NAME 96 POC. I.E.C. C MALE "COSI" HSG		REV 8	

NOT the LATEST REVISION