



Chipsmall Limited consists of a professional team with an average of over 10 year of expertise in the distribution of electronic components. Based in Hongkong, we have already established firm and mutual-benefit business relationships with customers from,Europe,America and south Asia,supplying obsolete and hard-to-find components to meet their specific needs.

With the principle of “Quality Parts,Customers Priority,Honest Operation,and Considerate Service”,our business mainly focus on the distribution of electronic components. Line cards we deal with include Microchip,ALPS,ROHM,Xilinx,Pulse,ON,Everlight and Freescale. Main products comprise IC,Modules,Potentiometer,IC Socket,Relay,Connector.Our parts cover such applications as commercial,industrial, and automotives areas.

We are looking forward to setting up business relationship with you and hope to provide you with the best service and solution. Let us make a better world for our industry!



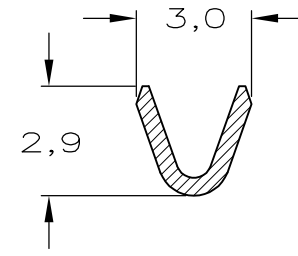
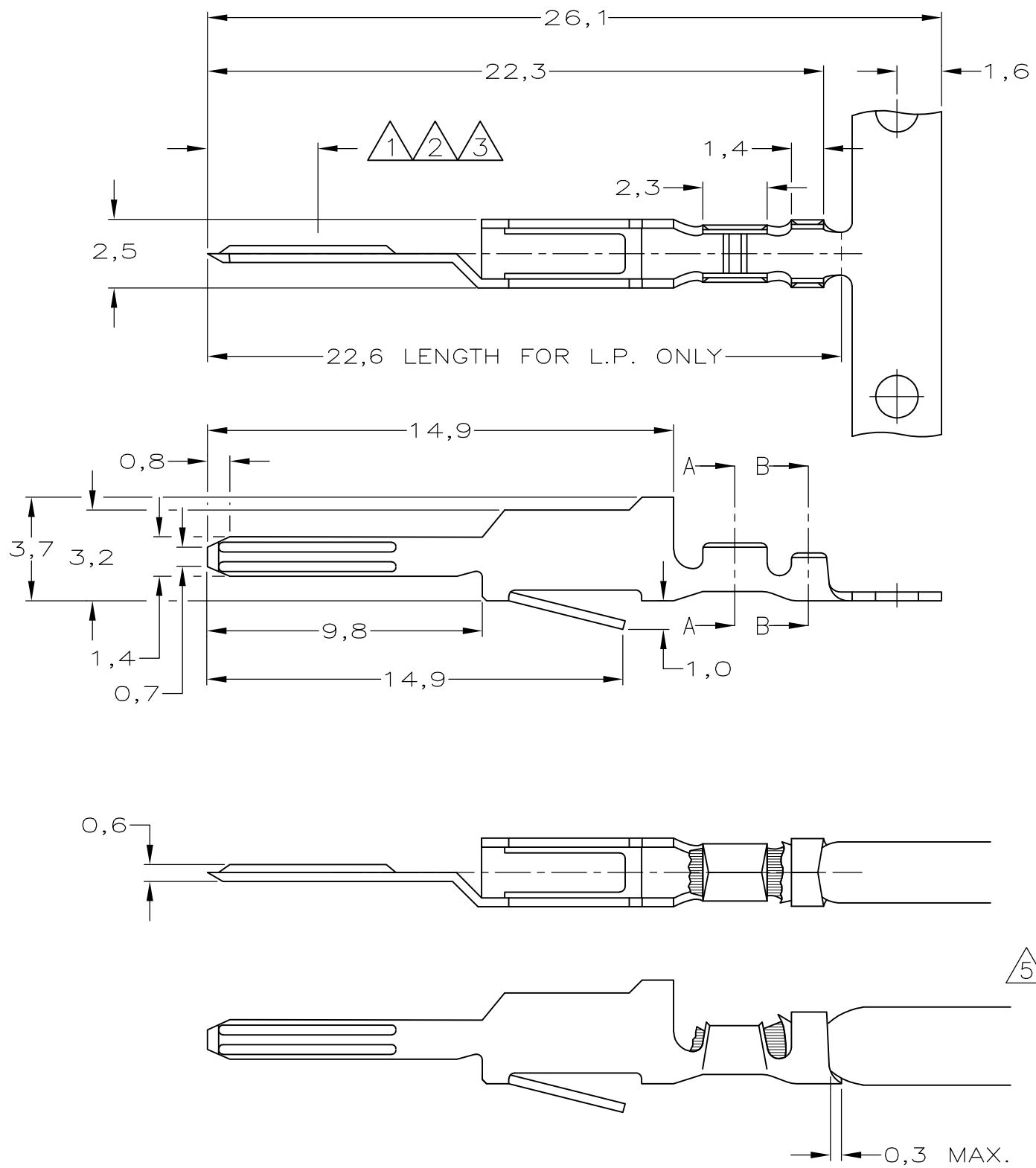
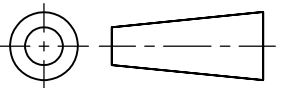
Contact us

Tel: +86-755-8981 8866 Fax: +86-755-8427 6832

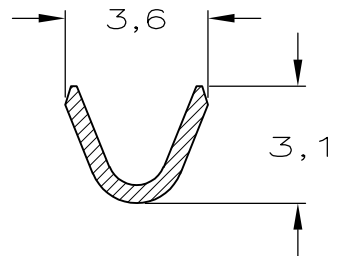
Email & Skype: info@chipsmall.com Web: www.chipsmall.com

Address: A1208, Overseas Decoration Building, #122 Zhenhua RD., Futian, Shenzhen, China





SECTION A-A



SECTION B-B

NOTES:

- ① 1,25 μm SELECTIVE Au OVER 1,25 μm NI. REMAINDER 1,25 μm Ni.
- ② 0,75 μm SELECTIVE Au OVER 1,25 μm NI. REMAINDER 1,25 μm Ni.
- ③ 0,4 μm SELECTIVE Au OVER 1,25 μm NI. REMAINDER 1,25 μm Ni.
- ④ WIRE RANGE 0,5-1,5 mm², INSULATION RANGE 2,0-2,5 mm.
- ⑤ OBSOLETE PARTS: OBSOLETE CIS STREAMLINING PER D.RENAUD/D.SINISI

OBS	-166636-5	SEE NOTE ③	BRASS	166479-7
OBS	-166636-4	SEE NOTE ②	BRASS	166479-6
OBS	-166636-3	SEE NOTE ①	PHOSPHORBRONZE	166479-5
OBS	-166636-2	SEE NOTE ②	PHOSPHORBRONZE	166479-4
OBS	-166636-1	SEE NOTE ①	BRASS	166479-2
	LOOSE PIECE	FINISH	MATERIAL	PARTNUMBER

CUSTOMER DRAWING					FOR REFERENCE ONLY WILL NOT BE UPDATED					
© COPYRIGHT 19 - BY AMP HOLLAND B.V.					ALL INTERNATIONAL RIGHTS RESERVED. AMP PRODUCTS MAY BE COVERED BY U.S. AND FOREIGN AND/OR PATENTS PENDING.					
THIS DRAWING IS UNPUBLISHED					RELEASED FOR PUBLICATION _____, 19____					
E1 ECO-09-024717			KK AEG 28DEC09		AMP			AMP HOLLAND B.V. 's-Hertogenbosch, The Netherlands.		
E SR10-0506-02			F.B. F.B. 17-01-03		NAME					
C EH-1280-95			J.G. R.v.L 26-10-95		CRIMP-ON / SNAP-IN TAB RECEPTACLE STRIP					
LTR. REVISION RECORD		DR. CHK. DATE								
DR.: J.Gibbels		CHK.: R.v.Lokven		APP.: -		DWG.No.		REV.LTR.		SHEET
DATE: 26-10-95		DATE: -		DATE: -		C-166479		E1	1 OF 1	A3