



Chipsmall Limited consists of a professional team with an average of over 10 year of expertise in the distribution of electronic components. Based in Hongkong, we have already established firm and mutual-benefit business relationships with customers from,Europe,America and south Asia,supplying obsolete and hard-to-find components to meet their specific needs.

With the principle of “Quality Parts,Customers Priority,Honest Operation,and Considerate Service”,our business mainly focus on the distribution of electronic components. Line cards we deal with include Microchip,ALPS,ROHM,Xilinx,Pulse,ON,Everlight and Freescale. Main products comprise IC,Modules,Potentiometer,IC Socket,Relay,Connector.Our parts cover such applications as commercial,industrial, and automotives areas.

We are looking forward to setting up business relationship with you and hope to provide you with the best service and solution. Let us make a better world for our industry!



## Contact us

Tel: +86-755-8981 8866 Fax: +86-755-8427 6832

Email & Skype: info@chipsmall.com Web: www.chipsmall.com

Address: A1208, Overseas Decoration Building, #122 Zhenhua RD., Futian, Shenzhen, China



DO NOT SCALE

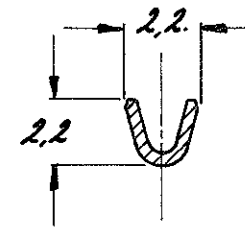
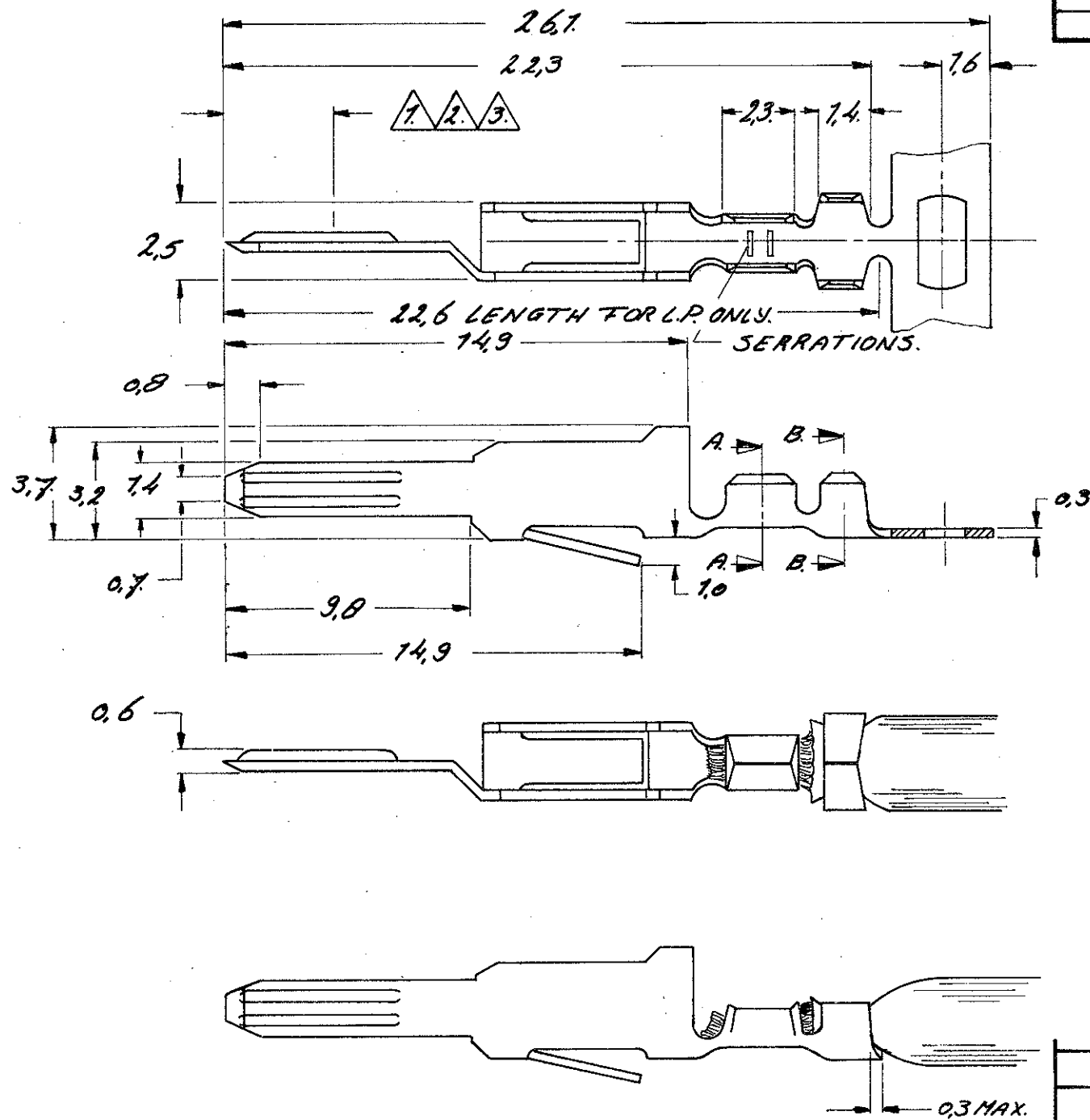
DIMENSIONS IN mm

METRIC

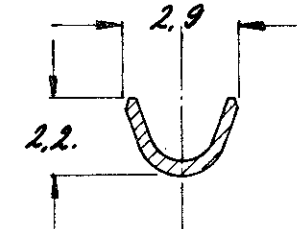
THIRD ANGLE  
PROJECTION



REV.	DESCRIPTION	DATE	DWN	APVD
C1	ECR-10-000007	11FEB10	RK	SRE



SECTION A-A



SECTION B-B

NOTES:

- 1. 1.25 μm SELECTIVE GOLD OVER 1.25 μm NICKEL, REMAINDER 1.25 μm Ni.
- 2. 0.75 μm SELECTIVE GOLD OVER 1.25 μm NICKEL, REMAINDER 1.25 μm Ni.
- 3. 0.4 μm SELECTIVE GOLD OVER 1.25 μm NICKEL, REMAINDER 1.25 μm Ni.
- 4. OBSOLETE

166635-5	SEE NOTE 3	BRASS.	166478-7
166635-4	SEE NOTE 2	BRASS.	166478-6
166635-3	SEE NOTE 1	P.H. BRONZE	166478-5
166635-2	SEE NOTE 2	P.H. BRONZE.	166478-4
166635-1	SEE NOTE 1	BRASS.	166478-2
LOOSE PIECE.	FINISH	MATERIAL	PART NUMBER

CUSTOMER  
DRAWING

FOR REFERENCE ONLY  
WILL NOT BE UPDATED

Tyco  
Electronics

AMP-HOLLAND B.V.  
's-Hertogenbosch, The Netherlands

THIS DRAWING IS UNPUBLISHED | RELEASED FOR PUBLICATION 19

© COPYRIGHT 19 BY AMP-HOLLAND B.V.  
ALL INTERNATIONAL RIGHTS RESERVED.  
AMP PRODUCTS MAY BE COVERED BY U.S. AND FOREIGN PATENTS AND/OR PATENTS PENDING.

DR. Th. HUISMAN 18-3-83	WIRE RANGE 0.12-0.5 mm <sup>2</sup>	NAME CRIMP ON SNAP-IN	REV. DATE D M Y
CHK. P. J. J. J. 22-3-83	INSUL. RANGE 0.8 - 1.8 mm.	TAB RECEPTACLE	18 03 83
APP. P. J. J. J. 24.3.83	SIZE A3	SHEET 1. OF 1.	DRAWING NO C-166478-E
			REV. I.T.R. C1