



Chipsmall Limited consists of a professional team with an average of over 10 year of expertise in the distribution of electronic components. Based in Hongkong, we have already established firm and mutual-benefit business relationships with customers from,Europe,America and south Asia,supplying obsolete and hard-to-find components to meet their specific needs.

With the principle of “Quality Parts,Customers Priority,Honest Operation,and Considerate Service”,our business mainly focus on the distribution of electronic components. Line cards we deal with include Microchip,ALPS,ROHM,Xilinx,Pulse,ON,Everlight and Freescale. Main products comprise IC,Modules,Potentiometer,IC Socket,Relay,Connector.Our parts cover such applications as commercial,industrial, and automotives areas.

We are looking forward to setting up business relationship with you and hope to provide you with the best service and solution. Let us make a better world for our industry!



Contact us

Tel: +86-755-8981 8866 Fax: +86-755-8427 6832

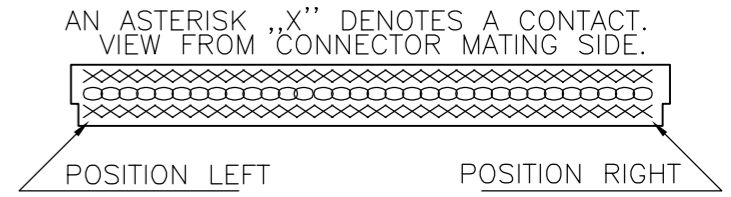
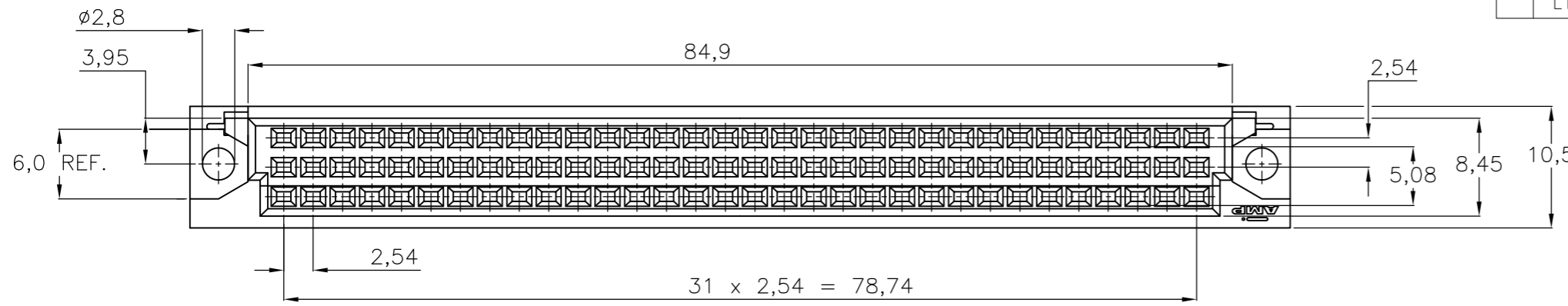
Email & Skype: info@chipsmall.com Web: www.chipsmall.com

Address: A1208, Overseas Decoration Building, #122 Zhenhua RD., Futian, Shenzhen, China

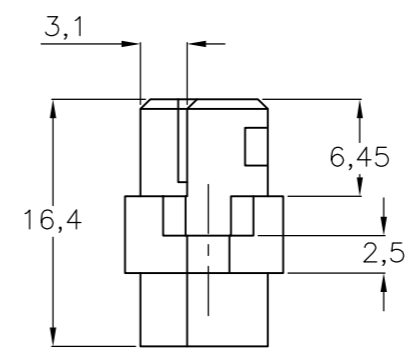
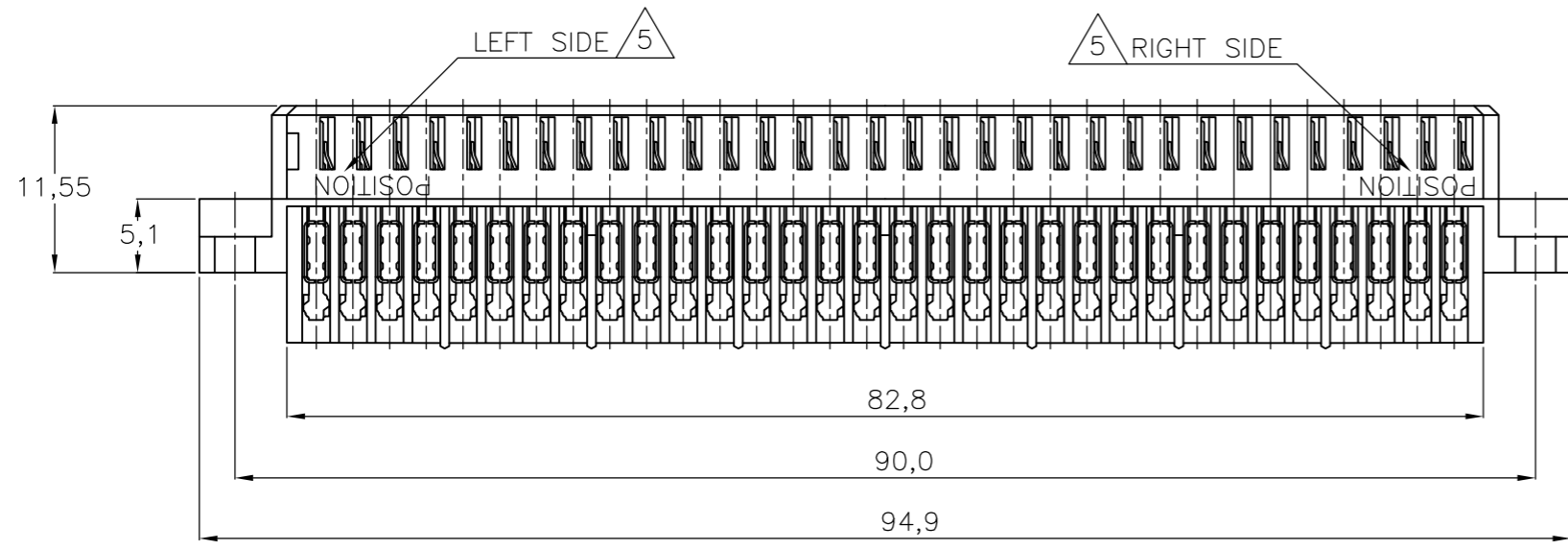


THIS DRAWING IS UNPUBLISHED. RELEASED FOR PUBLICATION
 © COPYRIGHT BY TYCO ELECTRONICS CORPORATION. ALL INTERNATIONAL RIGHTS RESERVED.

LOC	DIST	REVISIONS			
P	LTR	DESCRIPTION	DATE	DWN	APVD
H	—	L	ECR-06-012362	23-05-06	BM JB
		L1	ECR-08-014461	21-10-08	AEG WRV



DASHNUMBER	CONNECTOR	POSITION	
		LEFT	RIGHT
-1, -2, -3		c1	c32
-4, -5, -6		c32	c1
-8		a1	a32
1-1		a32	a1



NOTES:

- 1 MATERIAL :
 - HOUSING : GLASSFILLED POLYESTER
 - COLOUR : GRAY
 - CONTACTS: PHOSPHORBRONZE
- 2 PLATING CONTACT :
 - 1 : 2,0 μm Au OVER 1,25 μm Ni AT CONTACT AREA. REMAINDER TIN PLATING.
 - 2 : SAME AS -1 ONLY 0,8 μm Au.
 - 3 : SAME AS -1 ONLY 1,25 μm Au.
 - 4 : SAME AS -1.
 - 5 : SAME AS -2.
 - 6 : SAME AS -3.
 - 8 : SAME AS -2.
 - 1-1 : SAME AS -2.

WIRE RANGE :
AWG 26-22
INSULATION RANGE :
ø1,2 MAX.

FINISH	MATERIAL	PARTNUMBER
SEE NOTE 2	SEE NOTE 1	1-166811-1
		166811-8
		166811-6
		166811-5
		166811-4
		166811-3
		166811-2
		166811-1

- 3 COVER 826196-1 CAN BE USED.
- 4 CONNECTOR KIT ASS'Y 166811- AS DELIVERED CONSIST OF A 32 POS. SINGLE ROW CONN. ASS'Y AND A 2x32 POS. DUAL ROW CONN. ASS'Y.
- 5 PRINTED CAVITY-NUMBER ON FRONT AND ON REAR SIDE OF CONNECTOR.
- 6 CONNECTOR PRINTED WITH PARTNUMBER 166811-.

THIS DRAWING IS A CONTROLLED DOCUMENT.		DWN J.GIBBELS 03APR96	Tyco Electronics Corporation 's-Hertogenbosch, Nederland	
DIMENSIONS: mm		CHK R.V.LOKVEN	NAME	
TOLERANCES UNLESS OTHERWISE SPECIFIED:		APVD R.SMEETS	64 POS. BACK PANEL M.T. CONNECTOR	
MATERIAL		PRODUCT SPEC	SIZE A3	CAGE CODE 00779
		APPLICATION SPEC	DRAWING NO C-166811	RESTRICTED TO
		WEIGHT	SCALE NTS SHEET 1 OF 1 REV L1	
		CUSTOMER DRAWING		