



Chipsmall Limited consists of a professional team with an average of over 10 year of expertise in the distribution of electronic components. Based in Hongkong, we have already established firm and mutual-benefit business relationships with customers from,Europe,America and south Asia,supplying obsolete and hard-to-find components to meet their specific needs.

With the principle of “Quality Parts,Customers Priority,Honest Operation,and Considerate Service”,our business mainly focus on the distribution of electronic components. Line cards we deal with include Microchip,ALPS,ROHM,Xilinx,Pulse,ON,Everlight and Freescale. Main products comprise IC,Modules,Potentiometer,IC Socket,Relay,Connector.Our parts cover such applications as commercial,industrial, and automotives areas.

We are looking forward to setting up business relationship with you and hope to provide you with the best service and solution. Let us make a better world for our industry!



## Contact us

Tel: +86-755-8981 8866 Fax: +86-755-8427 6832

Email & Skype: info@chipsmall.com Web: www.chipsmall.com

Address: A1208, Overseas Decoration Building, #122 Zhenhua RD., Futian, Shenzhen, China

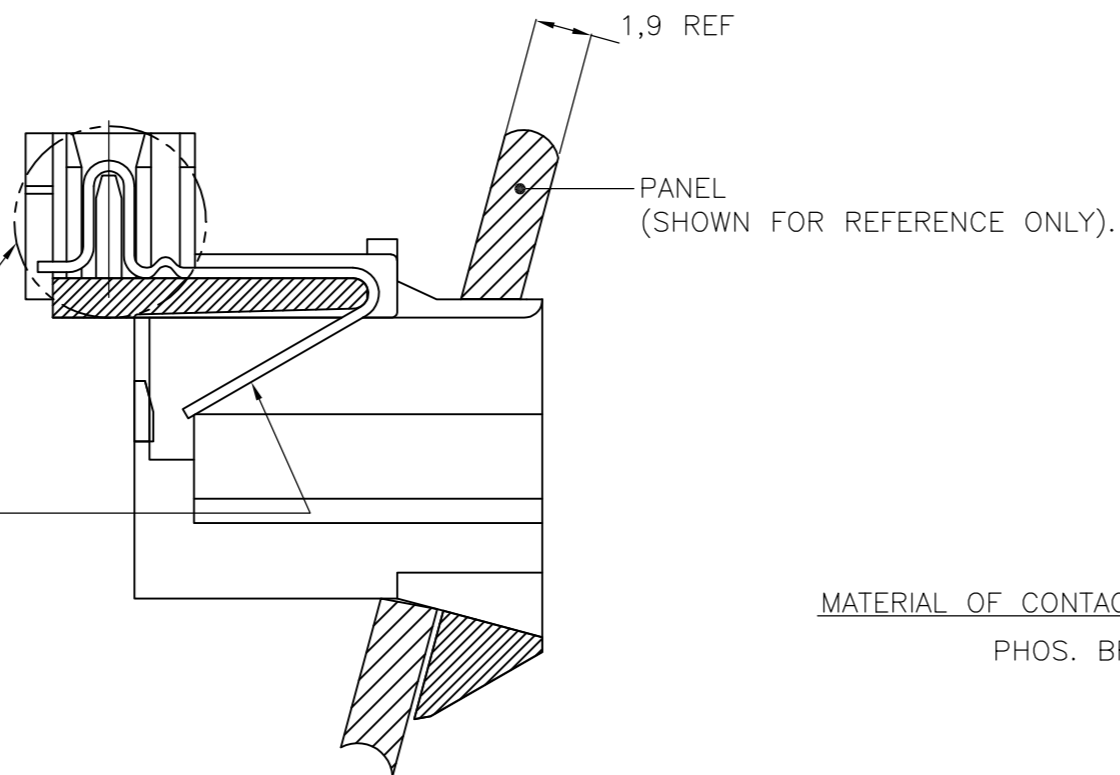
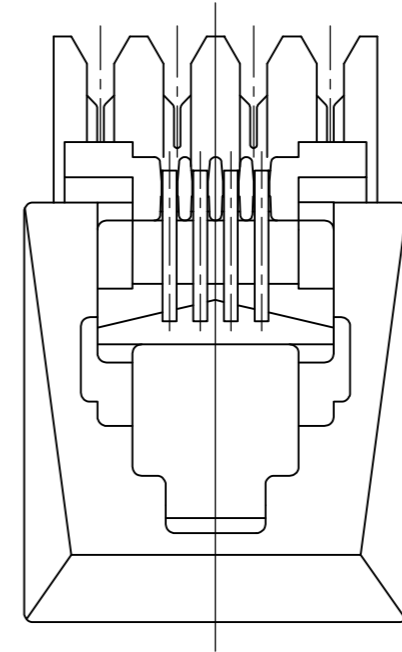
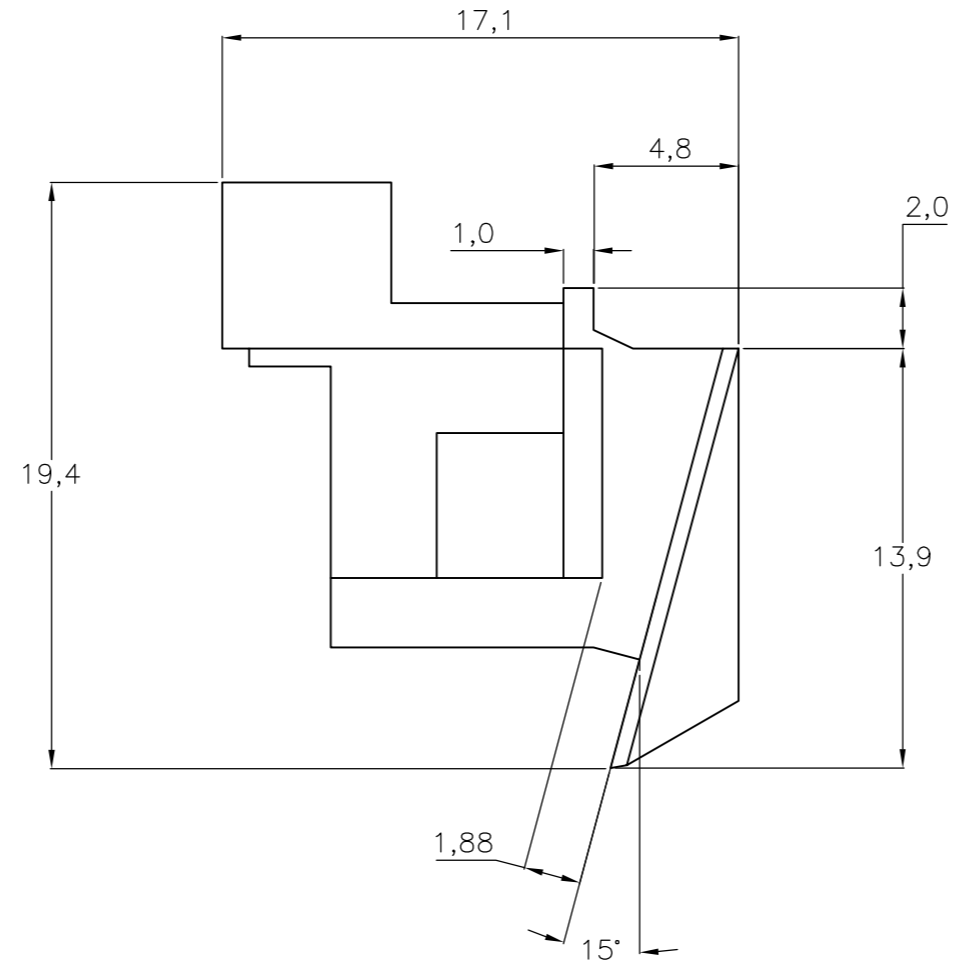
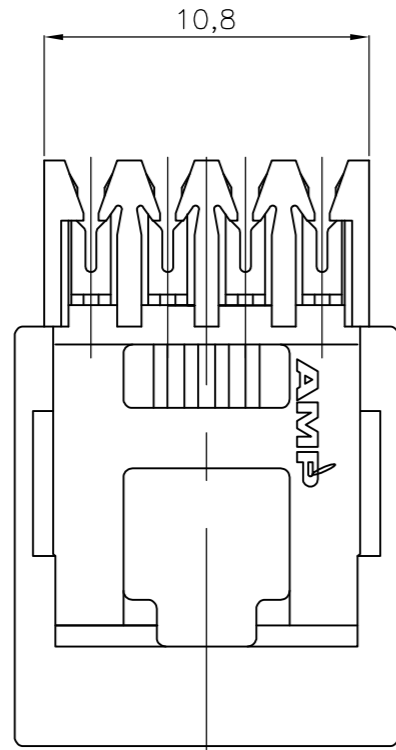
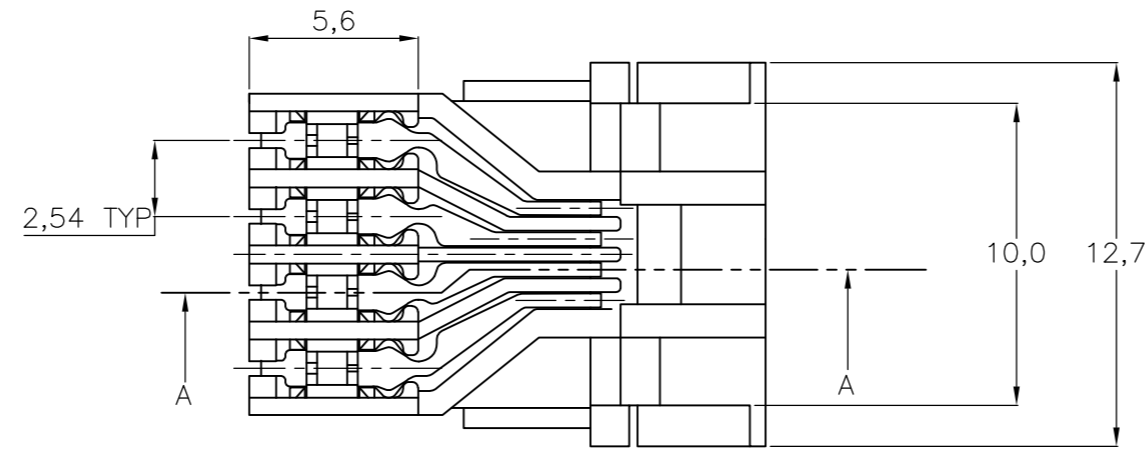


THIS DRAWING IS UNPUBLISHED. RELEASED FOR PUBLICATION  
 © COPYRIGHT BY TYCO ELECTRONICS CORPORATION. ALL INTERNATIONAL RIGHTS RESERVED.

LOC	DIST	REVISIONS					
		P	LTR	DESCRIPTION	DATE	DWN	APVD
H	-		U	EH-0176-98	10-02-98	EVE	-
			V	ECR-06-013127	31-05-06	MO	-
			V1	ECR-08-012368	08-07-08	AEG	WRV

NOTES:

- FOR APPLICATION INFORMATION SEE TE SPECIFICATION 114-19005.
- FOR PERFORMANCE REQUIREMENTS SEE TE SPECIFICATION 108-19039.



CONTACT PLATING IN THIS AREA :  
1.25µm MIN. TIN.

CONTACT AREA GOLD PLATING THICKNESS :  
SEE TABLE.

UNDERPLATING ON ENTIRE CONTACT :  
1.25µm MIN. NICKEL.

MATERIAL OF CONTACTS :  
PHOS. BRONZE.

OBSOLETE	600 PCS. ON 60 cm DIA. REEL		ABS COLOR-BLACK, METALLIC FILTER	2-166925-5 166925-5
OBSOLETE	3000 PCS IN A BOX		ABS COLOR-GREY (RAL 9002)	2-166925-3 166925-3
OBSOLETE	600 PCS. ON 60 cm DIA. REEL	1.2 µm	ABS COLOR-GREY (RAL 9002)	166925-3
OBSOLETE	3000 PCS IN A BOX		NYLON, 13%G.F. COLOR-BLACK	166925-1
	PACKAGING	GOLD PLATING IN CONTACT AREA	HOUSING MATERIAL	ORDER NUMBER

THIS DRAWING IS A CONTROLLED DOCUMENT.

DIMENSIONS: mm	TOLERANCES UNLESS OTHERWISE SPECIFIED:	DWN D.KESSLER	05NOV92	Tyco Electronics Corporation 's-Hertogenbosch, Nederland
	0 PLC ± -	CHK C.STERKEN	-	
	1 PLC ± -	APVD -	-	
	2 PLC ± -	PRODUCT SPEC -	-	
	3 PLC ± -	APPLICATION SPEC -	-	NAME MODULAR JACK, 4 POS./4 CONT FLANGED, WITH INSULATION DISPLACEMENT CONTACTS
	4 PLC ± -	WEIGHT -	-	SIZE A2
MATERIAL SEE NOTES	FINISH SEE NOTES	CAGE CODE 00779	DRAWING NO C=166925	RESTRICTED TO -
		CUSTOMER DRAWING	SCALE NTS	SHEET 1 of 1
			REV V1	