



Chipsmall Limited consists of a professional team with an average of over 10 year of expertise in the distribution of electronic components. Based in Hongkong, we have already established firm and mutual-benefit business relationships with customers from,Europe,America and south Asia,supplying obsolete and hard-to-find components to meet their specific needs.

With the principle of “Quality Parts,Customers Priority,Honest Operation,and Considerate Service”,our business mainly focus on the distribution of electronic components. Line cards we deal with include Microchip,ALPS,ROHM,Xilinx,Pulse,ON,Everlight and Freescale. Main products comprise IC,Modules,Potentiometer,IC Socket,Relay,Connector.Our parts cover such applications as commercial,industrial, and automotives areas.

We are looking forward to setting up business relationship with you and hope to provide you with the best service and solution. Let us make a better world for our industry!



Contact us

Tel: +86-755-8981 8866 Fax: +86-755-8427 6832

Email & Skype: info@chipsmall.com Web: www.chipsmall.com

Address: A1208, Overseas Decoration Building, #122 Zhenhua RD., Futian, Shenzhen, China



Sensor/Actuator cable - SAC-3P- 5,0-PUR/BI-1L-S F - 1669961

Please be informed that the data shown in this PDF Document is generated from our Online Catalog. Please find the complete data in the user's documentation. Our General Terms of Use for Downloads are valid (<http://download.phoenixcontact.com>)




Sensor/Actuator cable, 3-position, PUR/PVC, Gray RAL 7001, Free cable end, on BI valve plug (11 mm), with 1 LED, connected with Z diode, Cable length: 5 m

Product Features

- ✓ Easy and safe: 100% electrically tested plug-in components
- ✓ Robust valve plug-in connector with Zener diode as protective circuit
- ✓ Convenient: increased machine availability thanks to quick and easy diagnostics
- ✓ Compact: flat design for applications where space is at a premium



Key commercial data

| | |
|----------------------|---|
| Packing unit | 1 PCE |
| GTIN |  4 017918 134860 |
| Custom tariff number | 85444290 |
| Country of origin | GERMANY |

Technical data

General data

| | |
|--|-------------------------------|
| Rated current at 40°C | 3 A |
| Rated voltage | 24 V |
| Number of positions | 3 |
| Volume resistance | ≤ 15 mΩ |
| Insulation resistance | ≥ 100 MΩ |
| Length of cable | 5 m |
| Stripping length of the free conductor end | 50 mm |
| Ambient temperature (operation) | -20 °C ... 80 °C (valve plug) |

General characteristics

Sensor/Actuator cable - SAC-3P- 5,0-PUR/BI-1L-S F - 1669961

Technical data

General characteristics

| | |
|-------------------------------------|------------------------------|
| Surge voltage category | II |
| Pollution degree | 3 |
| Degree of protection | IP65 |
| Degree of protection | IP67 |
| Degree of protection | IP68 |
| Valve plug contact material | CuSn |
| Valve plug contact surface material | Ag |
| Valve plug contact insert material | PBT |
| Material housing valve plug | PBT |
| Sealing material | TPU (Flat gasket valve plug) |
| Status display | 1 LED |
| Protective circuit/component | Z diode |

Conductor data

| | |
|---|--|
| Cable type | PUR/PVC gray |
| Cable type (abbreviation) | 100 |
| Cable abbreviation | LiYY11Y-JZ |
| Conductor cross section | 0.75 mm ² |
| AWG signal line | 18 |
| Conductor structure signal line | 24x 0.20 mm |
| Core diameter including insulation | approx. 1.8 mm |
| Thickness, insulation | approx. 0.34 mm (Core insulation) |
| Thickness, insulation | approx. 0.35 mm (Outer cable sheath) |
| Thickness, insulation | approx. 0.3 mm (Inner sheath) |
| Wire colors | Black 1, black 2, green/yellow |
| Overall twist | 3 concentrically twisted wires |
| Length of twist, overall twist | 83 mm |
| External sheath, color | Gray RAL 7001 |
| External cable diameter | 5.20 mm |
| Smallest bending radius, movable installation | 62 mm |
| Outer sheath, material | PUR |
| Material, inner sheath | PVC |
| Material conductor insulation | PVC |
| Conductor material | Bare Cu litz wires |
| Insulation resistance | ≥ 1 MΩ*km |
| Nominal voltage, conductor | 240 V |
| Test voltage, conductor | 2000 V |
| Ambient temperature (operation) | -30 °C ... 80 °C (cable, fixed installation) |

Sensor/Actuator cable - SAC-3P- 5,0-PUR/BI-1L-S F - 1669961

Technical data

Conductor data

| | |
|---------------------------------|--|
| Ambient temperature (operation) | -5 °C ... 70 °C (cable, flexible installation) |
|---------------------------------|--|

Classifications

ETIM

| | |
|----------|----------|
| ETIM 2.0 | EC000830 |
| ETIM 3.0 | EC001855 |
| ETIM 4.0 | EC001855 |
| ETIM 5.0 | EC001855 |

UNSPSC

| | |
|---------------|----------|
| UNSPSC 11 | 31251501 |
| UNSPSC 12.01 | 31251501 |
| UNSPSC 13.2 | 31251501 |
| UNSPSC 6.01 | 31251501 |
| UNSPSC 7.0901 | 31251501 |

eCl@ss

| | |
|------------|----------|
| eCl@ss 4.0 | 27060306 |
| eCl@ss 4.1 | 27060306 |
| eCl@ss 5.0 | 27061801 |
| eCl@ss 5.1 | 27061801 |
| eCl@ss 6.0 | 27061801 |
| eCl@ss 7.0 | 27061801 |

Approvals

Approvals

Approvals

UL Listed / cUL Listed / cULus Listed

Ex Approvals

Approvals submitted

Sensor/Actuator cable - SAC-3P- 5,0-PUR/BI-1L-S F - 1669961

Approvals

Approval details

| | |
|--------------------|------|
| UL Listed | |
| Nominal current IN | 4 A |
| Nominal voltage UN | 24 V |

| | |
|--------------------|------|
| cUL Listed | |
| Nominal current IN | 4 A |
| Nominal voltage UN | 24 V |

| | |
|--------------|--|
| cULus Listed | |
|--------------|--|

Accessories

Accessories

Marking

Insert label - PABA WH/15 - 1013151



Insert label, Strip, white, Unlabeled, Can be labeled with: Plotter, Mounting type: Thread on, Cable diameter: 0.6-50 mm, Lettering field: 15 x 4 mm

Insert label - PABA YE/15 - 1013698



Insert label, Strip, yellow, Unlabeled, Can be labeled with: Plotter, Mounting type: Thread on, Cable diameter: 0.6-50 mm, Lettering field: 15 x 4 mm

Sensor/Actuator cable - SAC-3P- 5,0-PUR/BI-1L-S F - 1669961

Accessories

Insert label - PABA RD/15 - 1013944



Insert label, Strip, red, Unlabeled, Can be labeled with: Plotter, Mounting type: Thread on, Cable diameter: 0.6-50 mm, Lettering field: 15 x 4 mm

Conductor marker carrier - PATG 2/23 - 1013850



Conductor marker carrier, transparent, Unlabeled, Mounting type: Slide on, Cable diameter: 2-4 mm, Lettering field: 4 x 23 mm

Conductor marker carrier - PATG 3/23 - 1013863



Conductor marker carrier, transparent, Unlabeled, Mounting type: Slide on, Cable diameter: 4-7 mm, Lettering field: 4 x 23 mm

Conductor marker carrier - PATG 4/23 - 0808011



Conductor marker carrier, transparent, Unlabeled, Mounting type: Slide on, Cable diameter: 6-10 mm, Lettering field: 4 x 23 mm

Marker pen - B-STIFT - 1051993



Marker pen, for manual labeling of unprinted Zack strips, smear-proof and waterproof, line thickness 0.5 mm

Tools

Sensor/Actuator cable - SAC-3P- 5,0-PUR/BI-1L-S F - 1669961

Accessories

Cable-cutting tool - CUTFOX-S VDE - 1212207



Diagonal cutter for copper and aluminum conductors, VDE-tested

Stripping tool - WIREFOX SAC - 1212623



Stripping pliers, for halogen-free sensor/actuator cables (SAC cables), with PUR and PVC insulation, from \varnothing of 4.4 to 7 mm, any stripping length

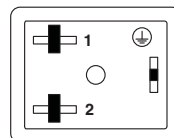
Stripping tool - WIREFOX 10 - 1212150



Stripping tool, for cables and conductors from 0.02 - 10 mm², self-adjusting, stripping length of up to 18 mm, cutting capacity of up to 10 mm² stranded/1.5 mm² solid, replaceable stripping blade

Drawings

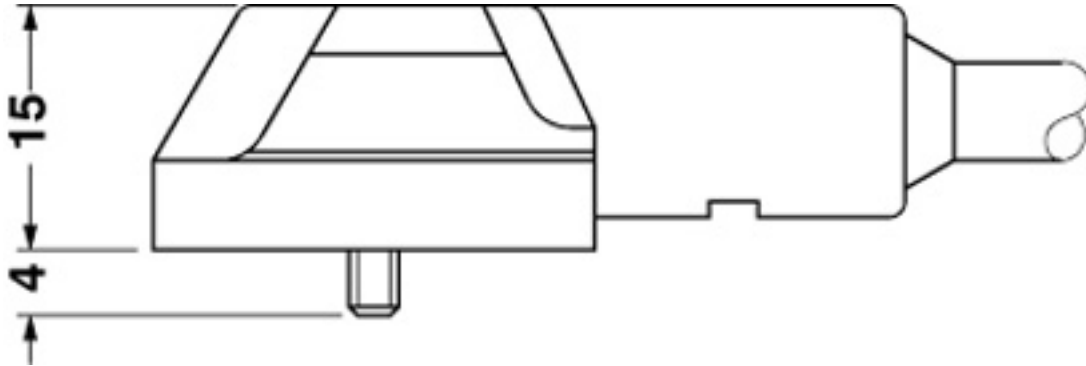
Schematic diagram



Valve connector pin assignment, type BI

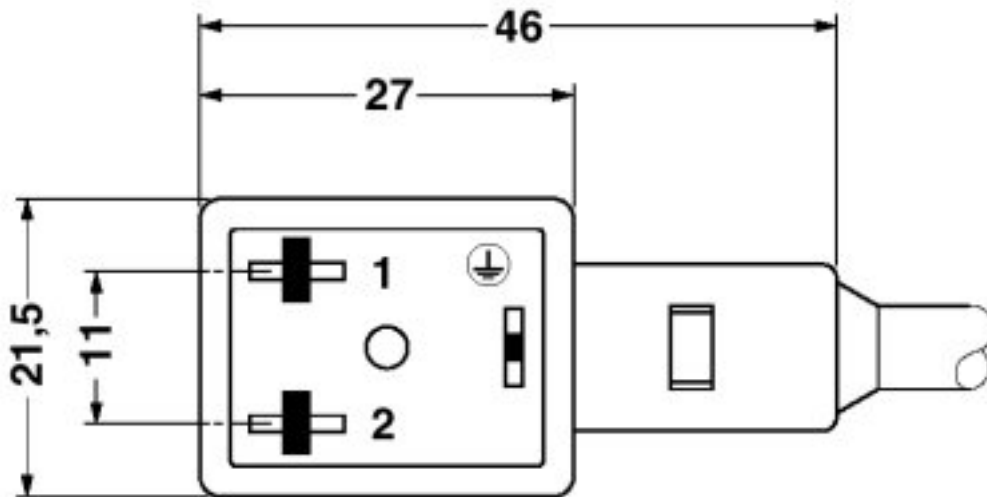
Sensor/Actuator cable - SAC-3P- 5,0-PUR/BI-1L-S F - 1669961

Dimensioned drawing



Valve connector, type BI, flat

Dimensioned drawing



Valve connector, type BI, flat

Sensor/Actuator cable - SAC-3P- 5,0-PUR/BI-1L-S F - 1669961

Circuit diagram

