



Chipsmall Limited consists of a professional team with an average of over 10 year of expertise in the distribution of electronic components. Based in Hongkong, we have already established firm and mutual-benefit business relationships with customers from,Europe,America and south Asia,supplying obsolete and hard-to-find components to meet their specific needs.

With the principle of “Quality Parts,Customers Priority,Honest Operation,and Considerate Service”,our business mainly focus on the distribution of electronic components. Line cards we deal with include Microchip,ALPS,ROHM,Xilinx,Pulse,ON,Everlight and Freescale. Main products comprise IC,Modules,Potentiometer,IC Socket,Relay,Connector.Our parts cover such applications as commercial,industrial, and automotives areas.

We are looking forward to setting up business relationship with you and hope to provide you with the best service and solution. Let us make a better world for our industry!



Contact us

Tel: +86-755-8981 8866 Fax: +86-755-8427 6832

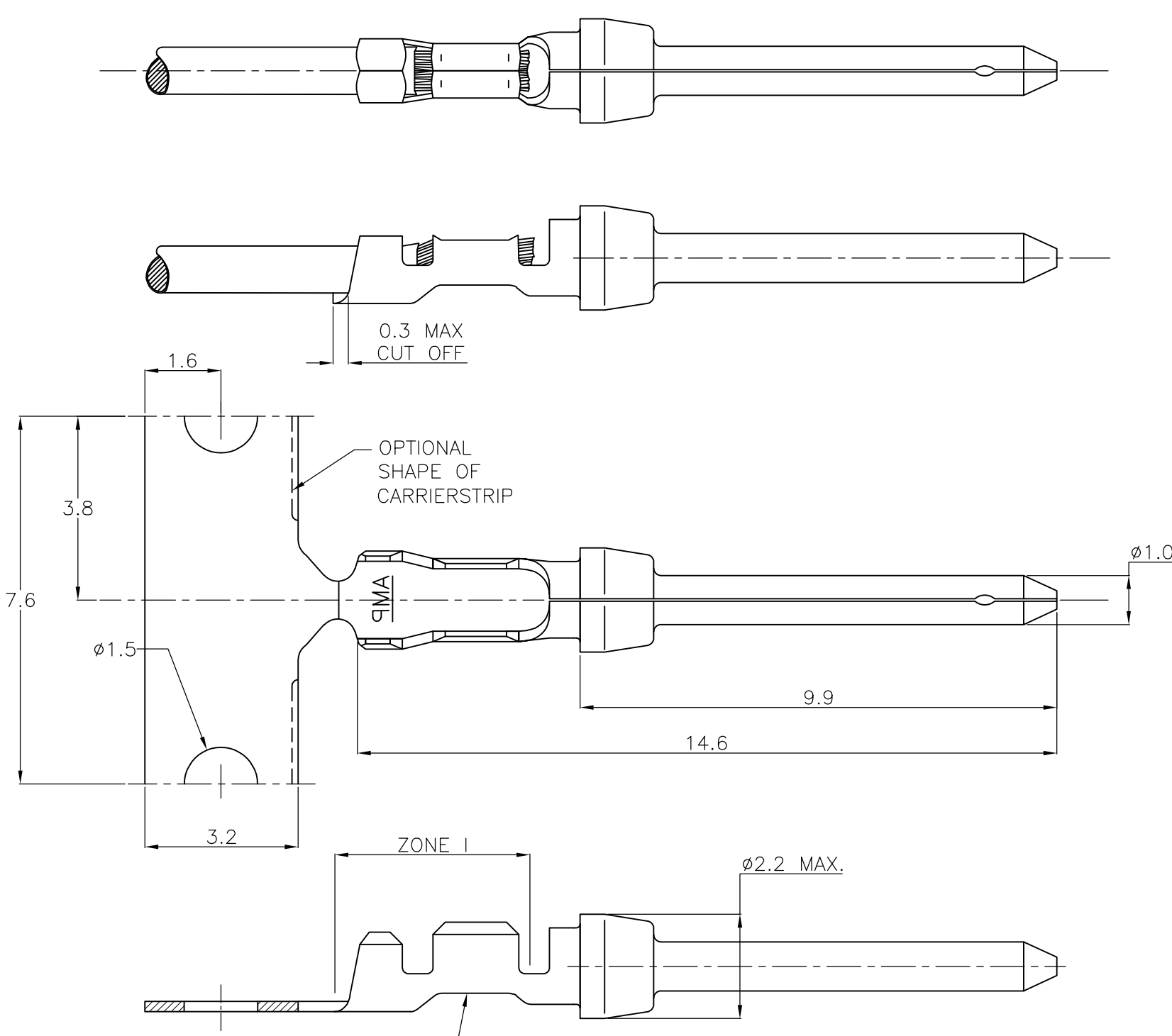
Email & Skype: info@chipsmall.com Web: www.chipsmall.com

Address: A1208, Overseas Decoration Building, #122 Zhenhua RD., Futian, Shenzhen, China



THIS DRAWING IS UNPUBLISHED. RELEASED FOR PUBLICATION
 © COPYRIGHT - By - ALL RIGHTS RESERVED.

LOC	DIST	REVISIONS			
P	LTR	DESCRIPTION	DATE	DWN	APVD
GP	00	U	REDRAWN PER ECO-11-022158	08NOV2011	CJV CWR



- 1 FOR MINI-APPLICATOR CRIMPING.
- 2 FOR STANDARD APPLICATOR CRIMPING.
- 3 FOR REEL-FEED HANDTOOL CRIMPING, 500 CONTACTS ON A SMALL REEL.
- 4. MATERIAL: BRASS.
- 5 UNDERCOATING: 1.3µm NICKEL. SELECTIVE: 0.8µm GOLD. REMAINDER: GOLD FLASH.
- 6 UNDERCOATING: 1.3µm NICKEL. SELECTIVE: 0.8µm GOLD. ZONE 1: BRIGHT TIN.
- 7 UNDERCOATING: 0.8µm NICKEL. SELECTIVE: 0.4µm GOLD. REMAINDER: GOLD FLASH.
- 8 UNDERCOATING: 0.8µm NICKEL. SELECTIVE: 0.4µm GOLD. ZONE 1: BRIGHT TIN.
- 9 UNDERCOATING: 1.3µm NICKEL. SELECTIVE: 1.3µm GOLD. REMAINDER: GOLD FLASH.
- 10 UNDERCOATING: 0.8µm NICKEL. SELECTIVE: GOLD FLASH (0.1µm) OVER 6.0 LENGTH FROM TIP. ZONE 1: BRIGHT TIN.
- 11 UNDERCOATING: 0.8µm NICKEL. SELECTIVE: 0.2µm GOLD. REMAINDER: GOLD FLASH.
- 12 UNDERCOATING: 0.8µm NICKEL. SELECTIVE: 0.2µm GOLD. ZONE 1: BRIGHT TIN.
- 13 OBSOLETE PARTS: OBSOLETE CIS STREAMLINING PER D. RENAUD/ D. SINISI

13	12	1-166997-3	-	-	1-166995-3
13	11	1-166997-2	-	-	1-166995-2
13	10	166997-8	-	-	166995-8
13	9	166997-7	-	-	166995-7
13	8	166997-6	-	-	166995-6
13	7	166997-5	-	-	166995-5
13	6	166997-3	-	-	166995-3
13	5	166997-2	-	-	166995-2
FINISH	LOOSE PIECE	PART NUMBER	3	PART NUMBER	2
		PART NUMBER	1		

BLACK COLOR CODE (LOOSE-PIECE ONLY)

WIRE RANGE: 28-32 AWG(0.03-0.09mm²)
 INSUL. RANGE: 0.5 - 1.02 mm DIA.

THIS DRAWING IS A CONTROLLED DOCUMENT.

DWN	C. VALENTINE	08NOV2011
CHK	C. ROHDE	08NOV2011
APVD	C. ROHDE	08NOV2011
PRODUCT SPEC	108-40005	
APPLICATION SPEC	114-10000	
WEIGHT	-	

STE TE Connectivity

PIN CONTACT, SIZE 20 DF.

SIZE	A3	CAGE CODE	00779	DRAWING NO	C-166995	RESTRICTED TO	-
SCALE	NTS		SHEET	1 OF 1		REV	U

CUSTOMER DRAWING