



Chipsmall Limited consists of a professional team with an average of over 10 year of expertise in the distribution of electronic components. Based in Hongkong, we have already established firm and mutual-benefit business relationships with customers from,Europe,America and south Asia,supplying obsolete and hard-to-find components to meet their specific needs.

With the principle of “Quality Parts,Customers Priority,Honest Operation,and Considerate Service”,our business mainly focus on the distribution of electronic components. Line cards we deal with include Microchip,ALPS,ROHM,Xilinx,Pulse,ON,Everlight and Freescale. Main products comprise IC,Modules,Potentiometer,IC Socket,Relay,Connector.Our parts cover such applications as commercial,industrial, and automotives areas.

We are looking forward to setting up business relationship with you and hope to provide you with the best service and solution. Let us make a better world for our industry!



Contact us

Tel: +86-755-8981 8866 Fax: +86-755-8427 6832

Email & Skype: info@chipsmall.com Web: www.chipsmall.com

Address: A1208, Overseas Decoration Building, #122 Zhenhua RD., Futian, Shenzhen, China



Sensor/Actuator cable - SAC-3P- 1,5-PUR/C-1L-S F - 1669974

Please be informed that the data shown in this PDF Document is generated from our Online Catalog. Please find the complete data in the user's documentation. Our General Terms of Use for Downloads are valid (<http://phoenixcontact.com/download>)




Sensor/Actuator cable, 3-position, PUR/PVC, Gray RAL 7001, free cable end, on Valve connector C (8 mm), with 1 LED, connected with Z diode, Cable length: 1.5 m

Product Features

- ✓ Easy and safe: 100% electrically tested plug-in components
- ✓ Robust valve connector with Zener diode as protective circuit
- ✓ Convenient: increased machine availability thanks to quick and easy diagnostics
- ✓ Compact: flat design for applications where space is at a premium



Key commercial data

Packing unit	1 pc
GTIN	 4 017918 134877
Weight per Piece (excluding packing)	101.02 GRM
Custom tariff number	85444290
Country of origin	Germany

Technical data

Dimensions

Length of cable	1.5 m
Stripping length of the free conductor end	50 mm

Ambient conditions

Ambient temperature (operation)	-20 °C ... 80 °C (valve plug)
Degree of protection	IP65
	IP67
	IP68

Sensor/Actuator cable - SAC-3P- 1,5-PUR/C-1L-S F - 1669974

Technical data

General

Rated current at 40°C	3 A
Rated voltage	24 V
Number of positions	3
Contact resistance	≤ 15 mΩ
Insulation resistance	≥ 100 MΩ
Status display	1 LED
Protective circuit/component	Z diode
Surge voltage category	II
Pollution degree	3

Material

Inflammability class according to UL 94	V0
Valve plug contact material	CuSn
Valve plug contact surface material	Ag
Valve plug contact insert material	PBT
Material housing valve plug	PBT
Sealing material	TPU (Flat gasket valve plug)

Cable

Cable type	PUR/PVC gray
Cable type (abbreviation)	100
Cable abbreviation	LiYY11Y-JZ
Conductor cross section	0.75 mm ²
AWG signal line	18
Conductor structure signal line	24x 0.20 mm
Core diameter including insulation	approx. 1.8 mm
Thickness, insulation	approx. 0.34 mm (Core insulation)
	approx. 0.35 mm (Outer cable sheath)
	approx. 0.3 mm (Inner sheath)
Wire colors	black 1, black 2, green/yellow
Overall twist	3 concentrically twisted wires
Length of twist, overall twist	83 mm
External sheath, color	Gray RAL 7001
External cable diameter	5.20 mm
Smallest bending radius, movable installation	62 mm
Outer sheath, material	PUR
Material, inner sheath	PVC
Material conductor insulation	PVC

Sensor/Actuator cable - SAC-3P- 1,5-PUR/C-1L-S F - 1669974

Technical data

Cable

Conductor material	Bare Cu litz wires
Insulation resistance	≥ 1 MΩ*km
Nominal voltage, cable	240 V
Test voltage, cable	2000 V
Ambient temperature (operation)	-30 °C ... 80 °C (cable, fixed installation)
	-5 °C ... 70 °C (cable, flexible installation)

Classifications

eCl@ss

eCl@ss 4.0	27060306
eCl@ss 4.1	27060306
eCl@ss 5.0	27061801
eCl@ss 5.1	27061801
eCl@ss 6.0	27061801
eCl@ss 7.0	27061801
eCl@ss 8.0	27061801

ETIM

ETIM 2.0	EC000830
ETIM 3.0	EC001855
ETIM 4.0	EC001855
ETIM 5.0	EC001855

UNSPSC

UNSPSC 6.01	31251501
UNSPSC 7.0901	31251501
UNSPSC 11	31251501
UNSPSC 12.01	31251501
UNSPSC 13.2	31251501

Approvals

Approvals

Approvals

UL Listed / cUL Listed / cULus Listed

Sensor/Actuator cable - SAC-3P- 1,5-PUR/C-1L-S F - 1669974

Approvals

Ex Approvals

Approvals submitted

Approval details

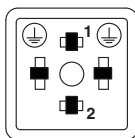
UL Listed	
Nominal current I _N	4 A
Nominal voltage U _N	24 V

cUL Listed	
Nominal current I _N	4 A
Nominal voltage U _N	24 V

cULus Listed	
--------------	--

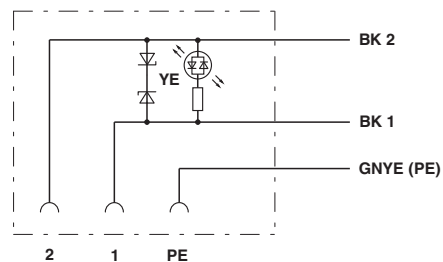
Drawings

Schematic diagram



Valve connector connector pin assignment, type C

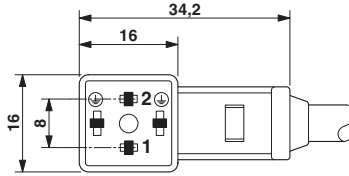
Circuit diagram



Contact assignment of the valve plug

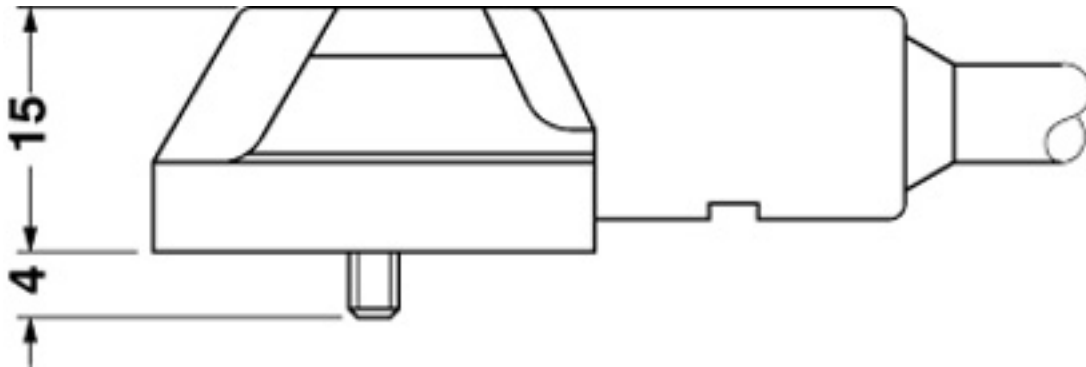
Sensor/Actuator cable - SAC-3P- 1,5-PUR/C-1L-S F - 1669974

Dimensioned drawing



Valve connector, type C, flat

Dimensioned drawing



Valve connector, type C, flat