



Chipsmall Limited consists of a professional team with an average of over 10 year of expertise in the distribution of electronic components. Based in Hongkong, we have already established firm and mutual-benefit business relationships with customers from,Europe,America and south Asia,supplying obsolete and hard-to-find components to meet their specific needs.

With the principle of “Quality Parts,Customers Priority,Honest Operation,and Considerate Service”,our business mainly focus on the distribution of electronic components. Line cards we deal with include Microchip,ALPS,ROHM,Xilinx,Pulse,ON,Everlight and Freescale. Main products comprise IC,Modules,Potentiometer,IC Socket,Relay,Connector.Our parts cover such applications as commercial,industrial, and automotives areas.

We are looking forward to setting up business relationship with you and hope to provide you with the best service and solution. Let us make a better world for our industry!



## Contact us

Tel: +86-755-8981 8866 Fax: +86-755-8427 6832

Email & Skype: info@chipsmall.com Web: www.chipsmall.com

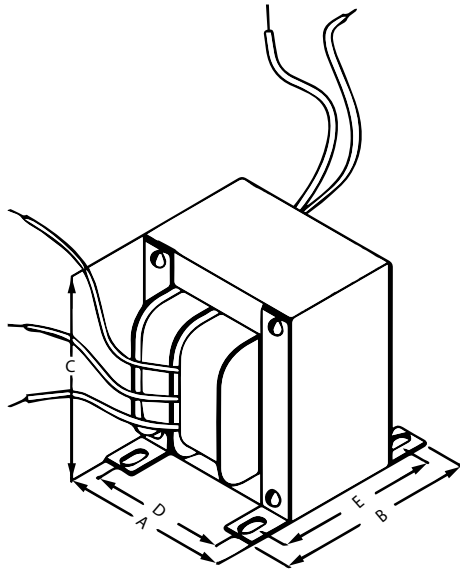
Address: A1208, Overseas Decoration Building, #122 Zhenhua RD., Futian, Shenzhen, China





# 166M48

**Power Transformer - Low Voltage/ Filament  
Economical Single Primary - Open Style Chassis Mount**



## Features

- Economical single primary 115 VAC, 60 Hz. (or 117 50/60 Hz. see table below)
- Open style, channel bracket, chassis mount.
- Minimum 6" long leads.
- Dual bobbin design - no electrostatic shield required.
- Class B insulation (130 degrees, C) for extra protection - **UL listed** as a Class A (105 degree, C) design
- Hi-Pot test of 2,000V RMS.
- **CSA certified.**

Overall Dimensions (in. / mm)	
A	3.44 / 87.4
B	2.98 / 75.7
C	4.13 / 104.9
Hole to Hole Mounting Dims	
D	2.75 / 69.9
E	2.38 / 60.5
Mounting Hole Sizes	
Width-wise	0.203 / 5.2
Depth-wise	0.375 / 9.5
Electrical	
Size (VA)	144
Primary	117V 50/60 Hz.
Secondary VAC	48 C.T.
Secondary Amps	3

