



Chipsmall Limited consists of a professional team with an average of over 10 year of expertise in the distribution of electronic components. Based in Hongkong, we have already established firm and mutual-benefit business relationships with customers from,Europe,America and south Asia,supplying obsolete and hard-to-find components to meet their specific needs.

With the principle of "Quality Parts,Customers Priority,Honest Operation,and Considerate Service",our business mainly focus on the distribution of electronic components. Line cards we deal with include Microchip,ALPS,ROHM,Xilinx,Pulse,ON,Everlight and Freescale. Main products comprise IC,Modules,Potentiometer,IC Socket,Relay,Connector.Our parts cover such applications as commercial,industrial, and automotives areas.

We are looking forward to setting up business relationship with you and hope to provide you with the best service and solution. Let us make a better world for our industry!



Contact us

Tel: +86-755-8981 8866 Fax: +86-755-8427 6832

Email & Skype: info@chipsmall.com Web: www.chipsmall.com

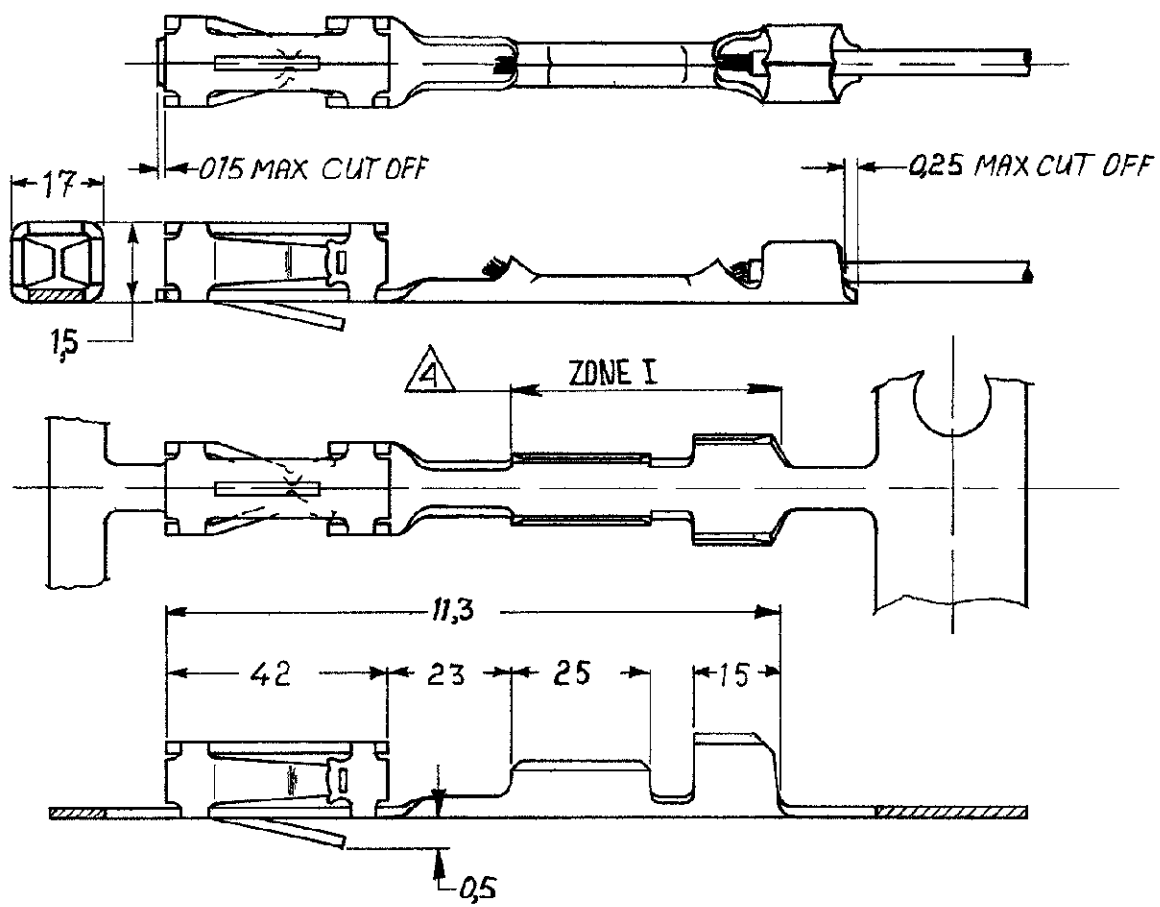
Address: A1208, Overseas Decoration Building, #122 Zhenhua RD., Futian, Shenzhen, China



NUMBER C-167022 -E

NOTES

- 1 FOR MINI-APPLICATOR CRIMPING
- 2 UNDERCOATING 1,25 μM Ni, SELECTIVE 0,8 μM Au, NO GOLD FLASH
- 3 UNDERCOATING 1,25 μM Ni, SELECTIVE 0,8 μM Au, REMAINDER GOLD-FLASH
- 4 ZONE I BRIGHT TIN/LEAD PLATED
- 5 PRE TIN PLATED 2,0 μM
- 6 MATERIAL: PHOS BRONZE



DIMENSIONS IN MM DO NOT SCALE PRINT

CUSTOMER COPY FOR REFERENCE ONLY

©1982 BY AMP HOLLAND N V ALL RIGHTS RESERVED A MP PRODUCTS COVERED BY PATENTS AND OR PATENTS PENDING



AMP HOLLAND B V
s Hertogenbosch

167022 -3	167025 3	TIN	5
167022 -2	167025 2	GOLD	3
167022 1	167025 - 1	GOLD	4/2
ORDER NO	LOOSEPIECE	PLATING	
DR	DATE	APP	DATE
St Jans 7/5 82	11/5 82		11/5 82

WIRE RANGE 28-38 AWG 0,08-0,09 mm	NSU RANGE -0,20 -0,40 0,5 -1,02 DIA	RS USED
SCALE 8:1	S Z E A	NO C-167022 -E

NAME AMP MODU MOD V RECEPTACLE REV 0