



Chipsmall Limited consists of a professional team with an average of over 10 year of expertise in the distribution of electronic components. Based in Hongkong, we have already established firm and mutual-benefit business relationships with customers from,Europe,America and south Asia,supplying obsolete and hard-to-find components to meet their specific needs.

With the principle of "Quality Parts,Customers Priority,Honest Operation,and Considerate Service",our business mainly focus on the distribution of electronic components. Line cards we deal with include Microchip,ALPS,ROHM,Xilinx,Pulse,ON,Everlight and Freescale. Main products comprise IC,Modules,Potentiometer,IC Socket,Relay,Connector.Our parts cover such applications as commercial,industrial, and automotives areas.

We are looking forward to setting up business relationship with you and hope to provide you with the best service and solution. Let us make a better world for our industry!



Contact us

Tel: +86-755-8981 8866 Fax: +86-755-8427 6832

Email & Skype: info@chipsmall.com Web: www.chipsmall.com

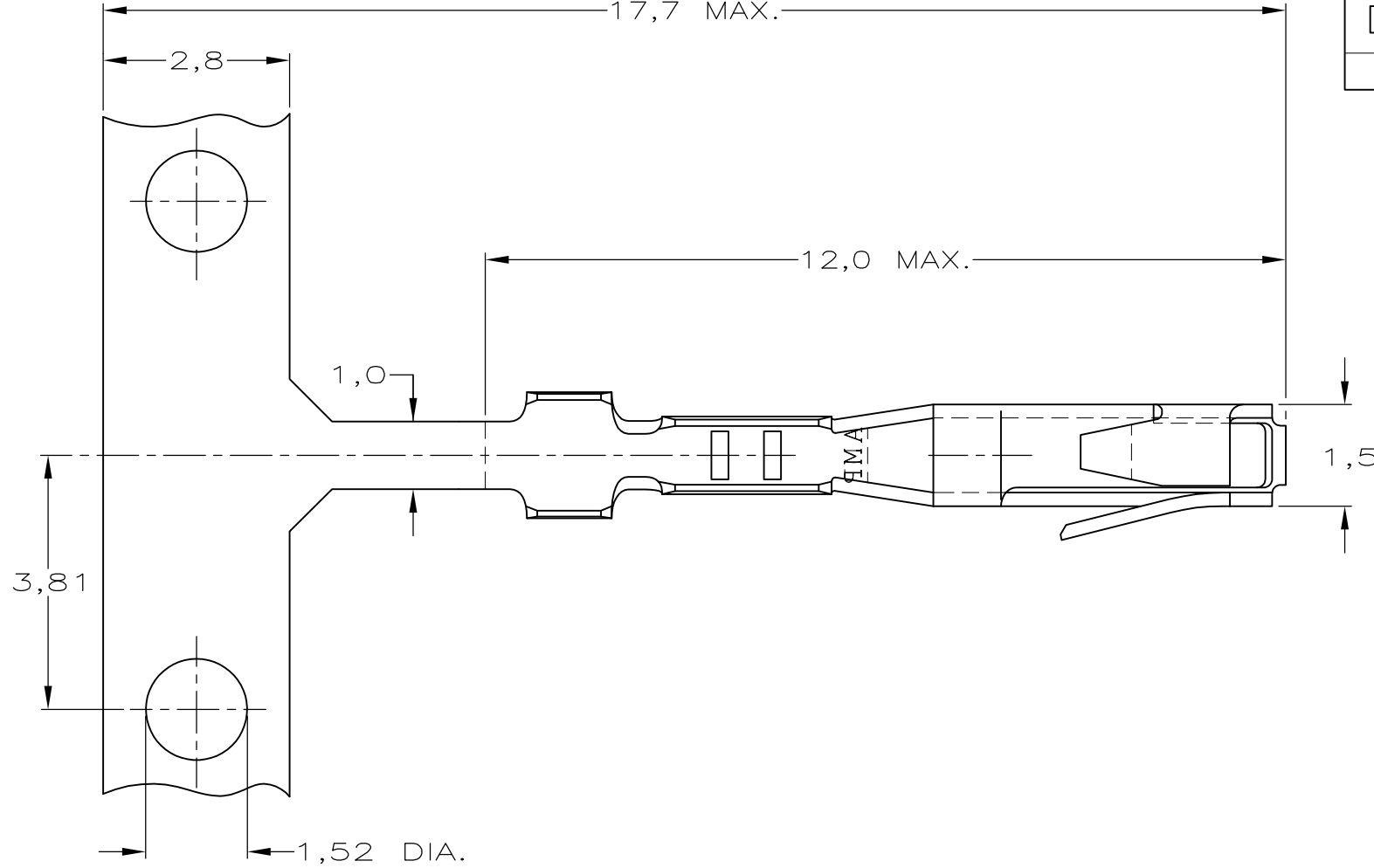
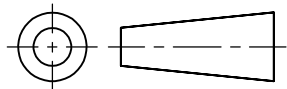
Address: A1208, Overseas Decoration Building, #122 Zhenhua RD., Futian, Shenzhen, China



DO NOT SCALE
DIMENSIONS IN mm

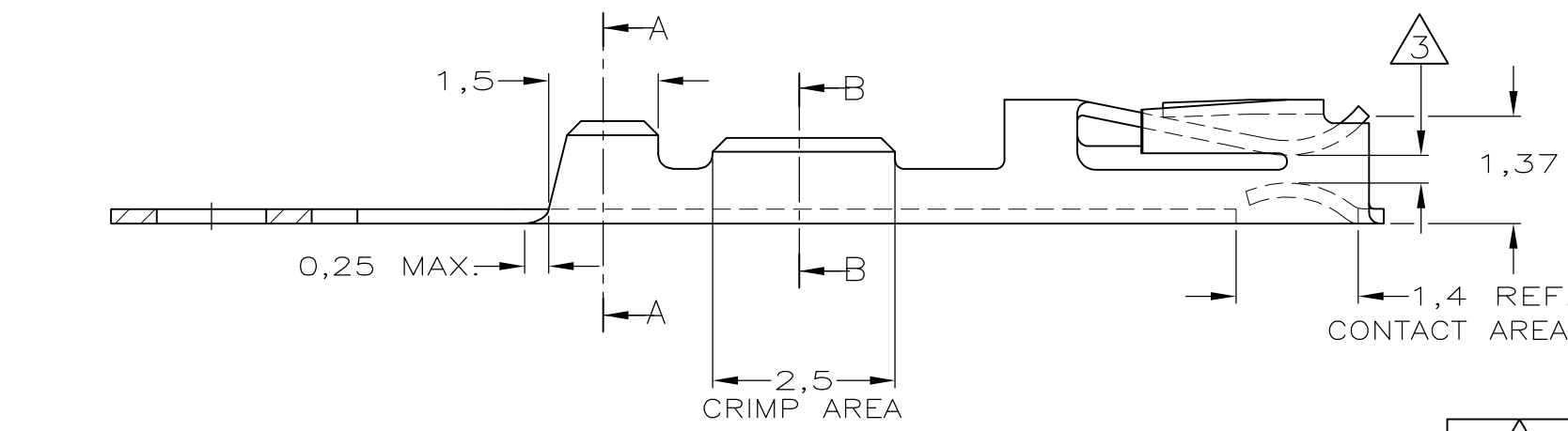
METRIC

THIRD ANGLE
PROJECTION

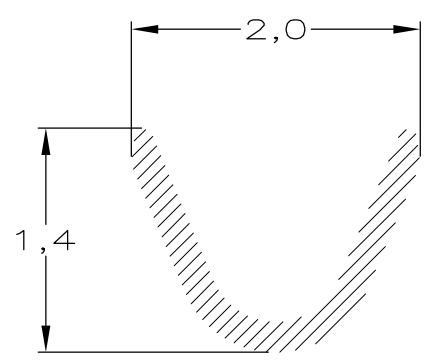


NOTES:

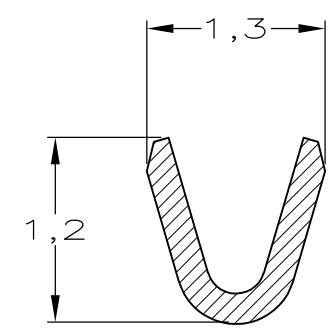
- ① UNDERCOATING: 0,8 μm NICKEL OVERALL.
CONTACT AREA: 0,8 μm GOLD.
CRIMP AREA : GOLDFLASH
- ② UNDERCOATING: 0,8 μm NICKEL OVERALL.
CONTACT AREA: 1,25 μm GOLD.
CRIMP AREA : GOLDFLASH
- ③ SUITABLE FOR 0,64x0,64 POST.
- ④ UNDERCOATING: 0,8 μm NICKEL OVERALL.
CONTACT AREA: 0,4 μm GOLD.
CRIMP AREA : GOLDFLASH
- ⑤ ADVANCED PROD.NRS. FOR DIN 41612 PART 5 SPEC.
- ⑥ OBSOLETE PARTS: OBSOLETE CIS STREAMLINING PER D.RENAUD/D.SINISI



WIRE RANGE :
28-32 AWG
0,03-0,09 mm²
INSULATION RANGE :
0,5-1,02 DIA.



SECTION A-A



SECTION B-B

⑤ 167042-4	④	PHOSPHORBRONZE	⑥ -167041-7-
⑥ 167042-2	②		⑥ -167041-4-
167042-1	①		167041-2
LOOSE PIECE NUMBER	PLATING	MATERIAL	STRIPNUMBER
-	-	-	CUSTOMER DRAWING FOR REFERENCE ONLY WILL NOT BE UPDATED
-	-	-	© COPYRIGHT 19 - BY AMP HOLLAND B.V. ALL INTERNATIONAL RIGHTS RESERVED. AMP PRODUCTS MAY BE COVERED BY U.S. AND FOREIGN AND/OR PATENTS PENDING.
-	-	-	THIS DRAWING IS UNPUBLISHED RELEASED FOR PUBLICATION ,19
-	-	-	AMP AMP HOLLAND B.V. 's-Hertogenbosch, The Netherlands.
E1 REVISED PER ECO-09-021510	KK AEG 15-09-09	NAME	STANDARD TANDEM SPRING RECEPTACLE
E EH-0760-96	J.G. R.v.L 28-06-96		
LTR. REVISION RECORD	DR. CHK. DATE		
DR.: J.Gibbels	CHK.: R.v.Lokven	APP.: R.Smeets	DWG.No. C-167041
DATE: 22-02-91	DATE: -	DATE: -	REV.LTR. E1 SHEET 1 OF 1 A3