

Chipsmall Limited consists of a professional team with an average of over 10 year of expertise in the distribution of electronic components. Based in Hongkong, we have already established firm and mutual-benefit business relationships with customers from,Europe,America and south Asia,supplying obsolete and hard-to-find components to meet their specific needs.

With the principle of “Quality Parts,Customers Priority,Honest Operation,and Considerate Service”,our business mainly focus on the distribution of electronic components. Line cards we deal with include Microchip,ALPS,ROHM,Xilinx,Pulse,ON,Everlight and Freescale. Main products comprise IC,Modules,Potentiometer,IC Socket,Relay,Connector.Our parts cover such applications as commercial,industrial, and automotives areas.

We are looking forward to setting up business relationship with you and hope to provide you with the best service and solution. Let us make a better world for our industry!

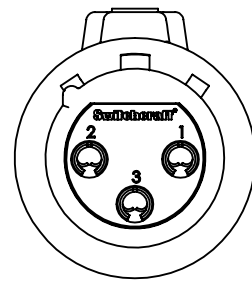


## Contact us

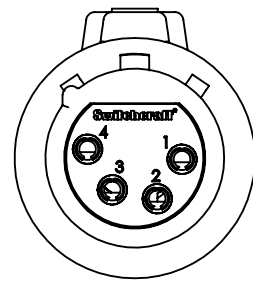
Tel: +86-755-8981 8866 Fax: +86-755-8427 6832

Email & Skype: info@chipsmall.com Web: www.chipsmall.com

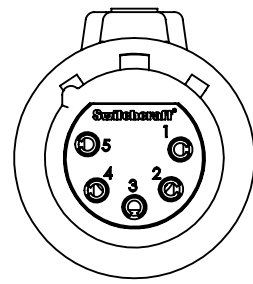
Address: A1208, Overseas Decoration Building, #122 Zhenhua RD., Futian, Shenzhen, China



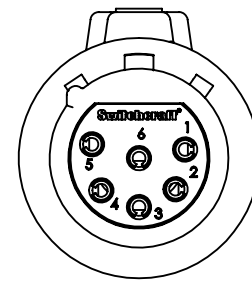
3 PIN



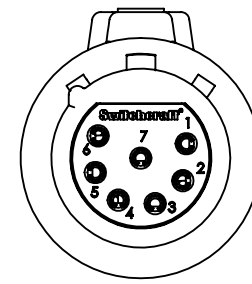
4 PIN



5 PIN

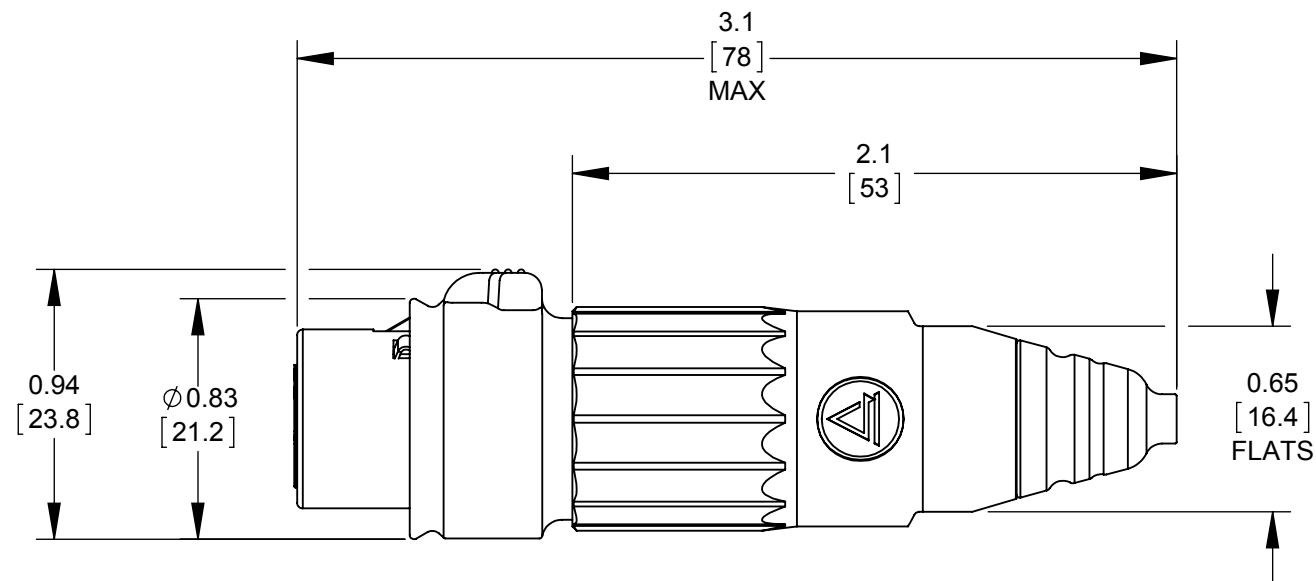


6 PIN



7 PIN

**CONTACTS AS VIEWED FACING FEMALE CONNECTORS**



**AAA**

**F**

**ZH**

AAA SERIES

# OF CONTACTS:  
3 - 7

GENDER:  
**FEMALE**

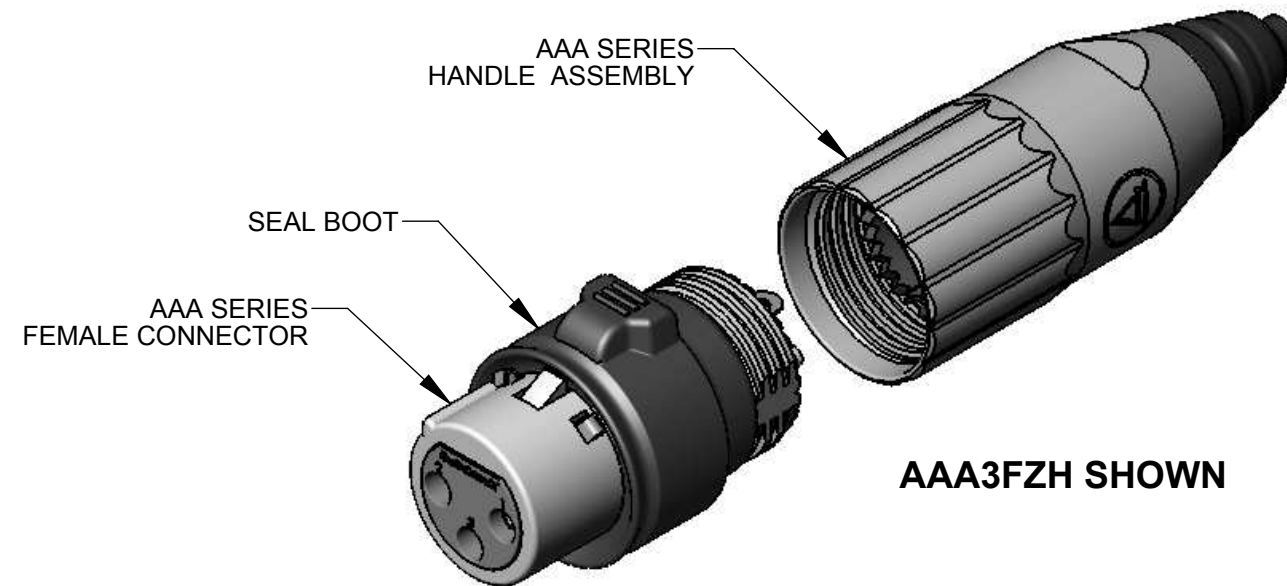
HANDLE STYLE:  
**BLANK** - METAL HANDLE  
**P** - PLASTIC HANDLE, BLACK

FINISH:  
**BLANK** - NICKEL HOUSING, LATCH, & HANDLE/  
GREEN INSERT  
**B** - BLACK HOUSING, LATCH, HANDLE, & INSERT

CONTACT PLATING:  
**BLANK** - SILVER  
**AU** - GOLD

CABLE STRAIN-RELIEF SIZE:  
**BLANK** - FOR CABLE O.D. 0.150 [3.8 mm] - 0.285 [7.2 mm]

SEALED  
HARSH  
ENVIRONMENT



**AAA3FZH SHOWN**

**CUSTOMER DRAWING**

NOTES:

- CONNECTORS AND HANDLES SHIPPED UNASSEMBLED, PACKED SIDE BY SIDE OR IN BULK.
- MATERIALS:  
HOUSING, LATCH, HANDLE - ZINC ALLOY, NICKEL OR BLACK FINISH  
INSULATOR - THERMOPLASTIC, GREEN OR BLACK  
CABLE CLAMP - THERMOPLASTIC, BLACK  
GROUND TERMINAL - COPPER ALLOY, TIN PLATED  
CONTACTS - COPPER ALLOY, SILVER OR GOLD PLATED  
SEAL BOOT, CABLE STRAIN-RELIEF - ELASTOMER, BLACK
- THESE PRODUCTS ARE RoHS COMPLIANT.

REV	ECO NUMBER	DATE	BY	APVD
A	27284	4/17/14	TJK	TJK
REVISIONS				

UNLESS OTHERWISE SPECIFIED

1. ALL DIMENSIONS IN INCHES  
- TWO PLACE DECIMALS ±0.02  
- THREE PLACE DECIMALS ±0.005

**DO NOT SCALE DRAWING**

THIS DRAWING DESCRIBES A DESIGN CONSIDERED PROPRIETARY IN NATURE, DEVELOPED AND MANUFACTURED BY SWITCHCRAFT INC. AND IS RELEASED ON A CONFIDENTIAL BASIS FOR IDENTIFICATION PURPOSES ONLY.										
SIZE	WIDTH	MULT	LBS/M	TEMPER						
FINISH					MATERIAL					
SPEC No.					SPEC No.					
FIRST USED ON				SCALE 1.5:1						
DATE DRAWN	BY	CHKD	APVD							
4/12/12	PNK	PNK	SRC							
		4/12/12	4/12/12							
NAME SEALED AAA FEMALE XLR CONNECTORS, RoHS								PART No. AAA_F_ZH SERIES		REV <b>A</b>