



Chipsmall Limited consists of a professional team with an average of over 10 year of expertise in the distribution of electronic components. Based in Hongkong, we have already established firm and mutual-benefit business relationships with customers from,Europe,America and south Asia,supplying obsolete and hard-to-find components to meet their specific needs.

With the principle of “Quality Parts,Customers Priority,Honest Operation,and Considerate Service”,our business mainly focus on the distribution of electronic components. Line cards we deal with include Microchip,ALPS,ROHM,Xilinx,Pulse,ON,Everlight and Freescale. Main products comprise IC,Modules,Potentiometer,IC Socket,Relay,Connector.Our parts cover such applications as commercial,industrial, and automotives areas.

We are looking forward to setting up business relationship with you and hope to provide you with the best service and solution. Let us make a better world for our industry!



Contact us

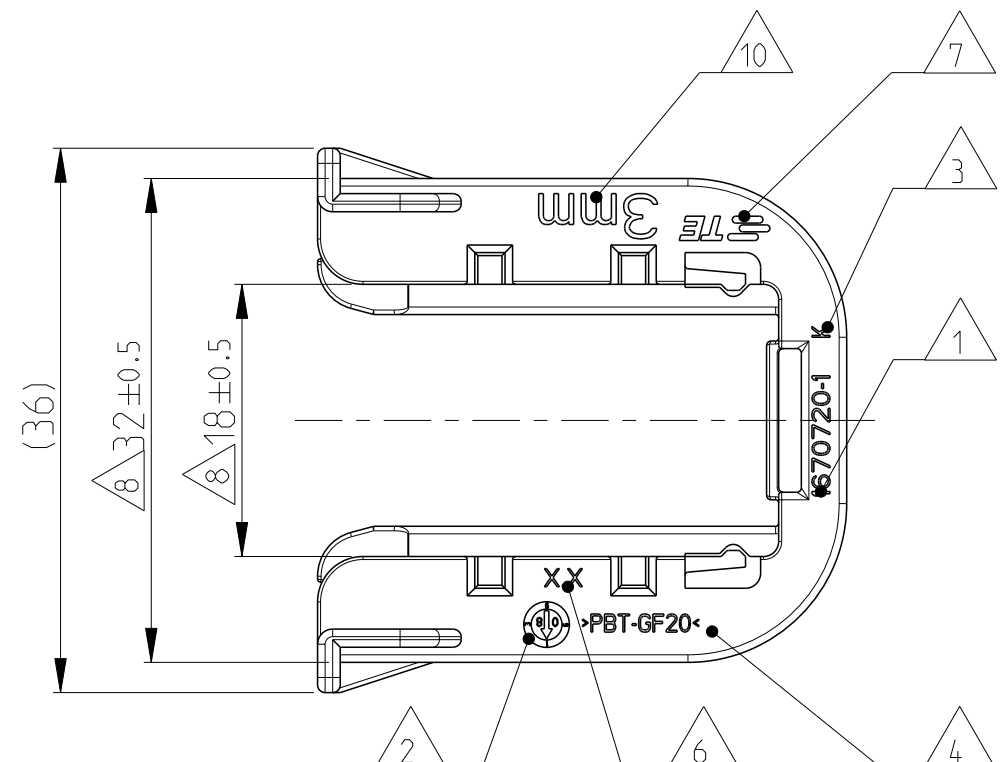
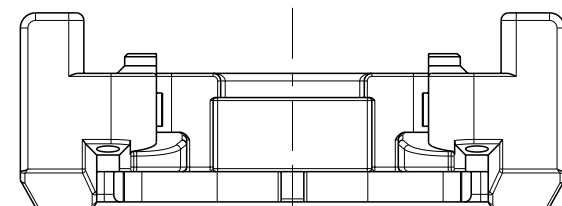
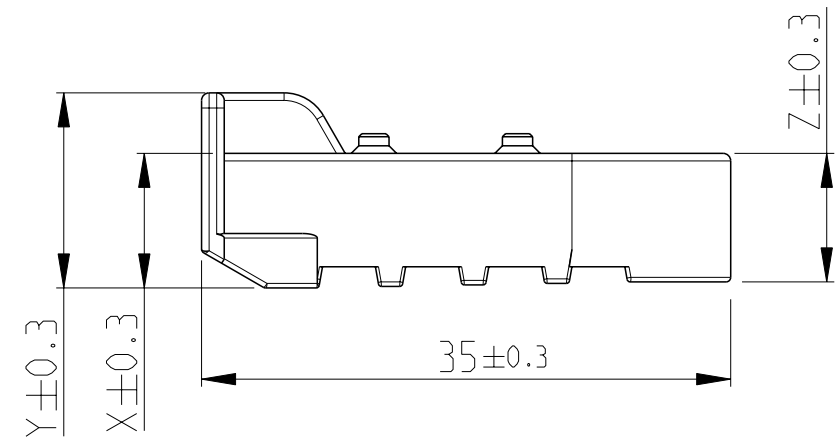
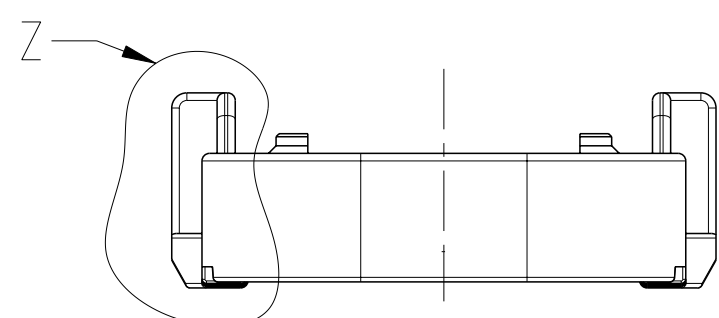
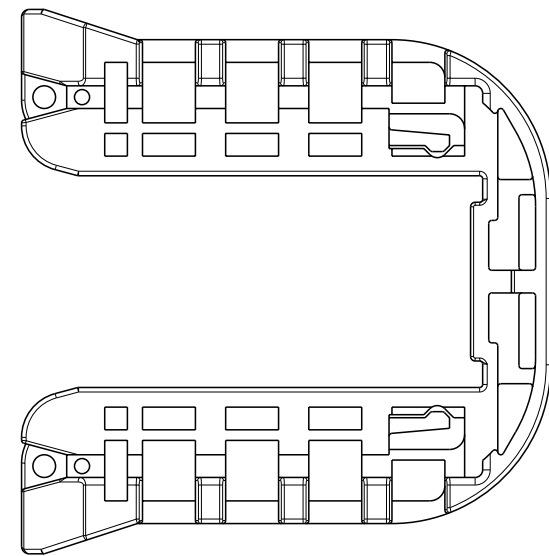
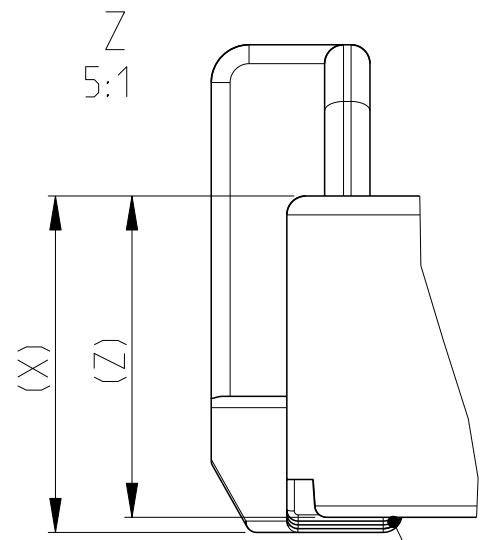
Tel: +86-755-8981 8866 Fax: +86-755-8427 6832

Email & Skype: info@chipsmall.com Web: www.chipsmall.com

Address: A1208, Overseas Decoration Building, #122 Zhenhua RD., Futian, Shenzhen, China



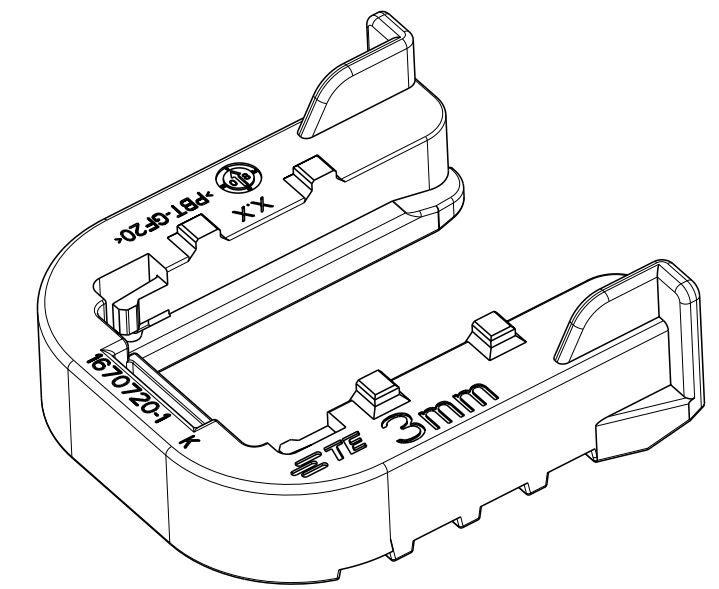
0-1670720-1 AS SHOWN
 0-1670720-1 wie gezeigt



REVISIONS ÄNDERUNGEN					
P	LTR	DESCRIPTION BESCHREIBUNG	DATE	DWN	APVD
	J	DETAILS SEE PCN E-14-006509,E-14-008262.	02MAY2014	KP	JG
	J1	GENERAL TOLERANCES CHANGED	16MAR2015	Ho.	Gilch
	K	DETAILS SEE PCN E-15-008283	01JUN2015	Ho.	Gilch
	K1	DETAILS SEE PCN E-16-013669	26SEP2016	MAH.	GILC

NOTES
Bemerkungen

- 1 TE Connectivity (TE) ORDER-NO.
TE Connectivity (TE) Bestell-Nr.
- 2 PRODUCTION DATE
Produktionsdatum
- 3 LETTER-INSERT FOR THE REVISION STATUS OF THE MOULD
Schriftsatz fuer Aenderungszustand des Werkzeuges
- 4 MATERIAL MARKING ACCORDING TO VDA 260
Werkstoffkennzeichnung nach VDA 260
- 5 BULK PACKAGING IN CORRUGATED BOX
Schuetttgut im Versandkarton
- 6 MOULD CAVITY MARKING
Nestmarkierung
- 7 TE LOGO
TE Logo
- 8 WARPAGE PERMITTED UP TO -1.5mm FROM NOMINAL SIZE
Verzug zulaessig bis -1.5mm vom Nennmass
- 9 SUITABLE FOR TAB HOUSING WITH FLANGE GROUP C
SEE PRODUCT GROUP DRAWING 1563709
Passend zu Flachsteckergehaeusen mit Flansch der Gruppe C
siehe Produktgruppenzeichnung 1563709
- 10 MARKING FOR SUITABLE SHEET METAL THICKNESS (NOMINAL SIZE)
Kennzeichnung fuer passende Blechstaecke (Nennmass)



K1

TE ORDER-NO. TE Bestell-Nr.	REV.	SHEET METAL THICKNESS Blechdicke	DIM X	DIM Y	DIM Z	MATERIAL	COLOUR Farbe	WEIGHT(g) Gewicht	DESCRIPTION Beschreibung	ITEM
-	-	2.0±0.1mm				PBT-GF20/V-0			Slide, FOR 2.0mm SHEET METAL Schieber, fuer Blech 2.0mm Dicke	7
0-1670720-6	K	3.5±0.1mm	8.4	12.4	8.0	PBT-GF20/V-0	GREY grau	4.7	Slide, FOR 3.5mm SHEET METAL Schieber, fuer Blech 3.5mm Dicke	6
0-1670720-5	K	1.5±0.1mm	10.4	14.4	10.0	PBT-GF20/V-0	GREY grau	5.4	Slide, FOR 1.5mm SHEET METAL Schieber, fuer Blech 1.5mm Dicke	5
-	-	1.0±0.1mm				PBT-GF20/V-0			Slide, FOR 1mm SHEET METAL Schieber, fuer Blech 1mm Dicke	4
-	-	4.0±0.1mm				PBT-GF20/V-0			Slide, FOR 4mm SHEET METAL Schieber, fuer Blech 4mm Dicke	3
0-1670720-2	K	2.5±0.1mm	9.4	13.4	9.0	PBT-GF20/V-0	RED rot	5.0	Slide, FOR 2.5mm SHEET METAL Schieber, fuer Blech 2.5mm Dicke	2
0-1670720-1	K	3.0±0.1mm	8.9	12.9	8.5	PBT-GF20/V-0	YELLOW gelb	4.8	Slide, FOR 3mm SHEET METAL Schieber, fuer Blech 3mm Dicke	1

THIS DRAWING IS A CONTROLLED DOCUMENT.
 DIESES ZEICHNUNGSDOKUMENT WIRD DURCH AMF INCORPORATED KONTROLLIERT.
 ÄNDERUNGEN, DIE DEM TECHNISCHEN FORTSCHRITT GEMEIN, SIND VORBEHALTEN.
 DEN JEWEILS LETZTGÜLTIGEN ÄNDERUNGSSTAND ERFAHREN SIE AUF ANFRAGE.

DIMENSIONS:
MASSE/EINHEITEN:
(MM)

TOLERANCES UNLESS OTHERWISE SPECIFIED:
ALLGEMEINTOLERANZEN
ACC. TO DIN 16901-140

1 PLC ±
2 PLC ±
3 PLC ±
4 PLC ±

ANGLES/WINKEL: ±°
FINISH/OBERFLÄCHE/FARBE

MATERIAL: SEE TABLE
FINISH/OBERFLÄCHE/FARBE: SEE TABLE

DWN: S. Jaeger 20DEZ2007
 CHK: J. Granzow 21DEZ2007
 APVD: C. Eberwein 07JAN2008

NAME: SLIDE, TAB HOUSING
Schieber, Flachsteckergehaeuse
HDSCS - GROUP C

PRODUCT SPEC: 108-94020
 APPLICATION SPEC: 114-18756

SIZE: A2
 CAGE CODE: 00779
 DRAWING NO: C-1670720
 ZEICHNUNGS-NR.

RESTRICTED TO NUR FÜR: -

CUSTOMER DRAWING /KUNDENZEICHNUNG
 SCALE MASSSTAB: 2:1
 SHEET BLATT: 1 OF 1
 REV: K1