



Chipsmall Limited consists of a professional team with an average of over 10 year of expertise in the distribution of electronic components. Based in Hongkong, we have already established firm and mutual-benefit business relationships with customers from,Europe,America and south Asia,supplying obsolete and hard-to-find components to meet their specific needs.

With the principle of “Quality Parts,Customers Priority,Honest Operation,and Considerate Service”,our business mainly focus on the distribution of electronic components. Line cards we deal with include Microchip,ALPS,ROHM,Xilinx,Pulse,ON,Everlight and Freescale. Main products comprise IC,Modules,Potentiometer,IC Socket,Relay,Connector.Our parts cover such applications as commercial,industrial, and automotives areas.

We are looking forward to setting up business relationship with you and hope to provide you with the best service and solution. Let us make a better world for our industry!



Contact us

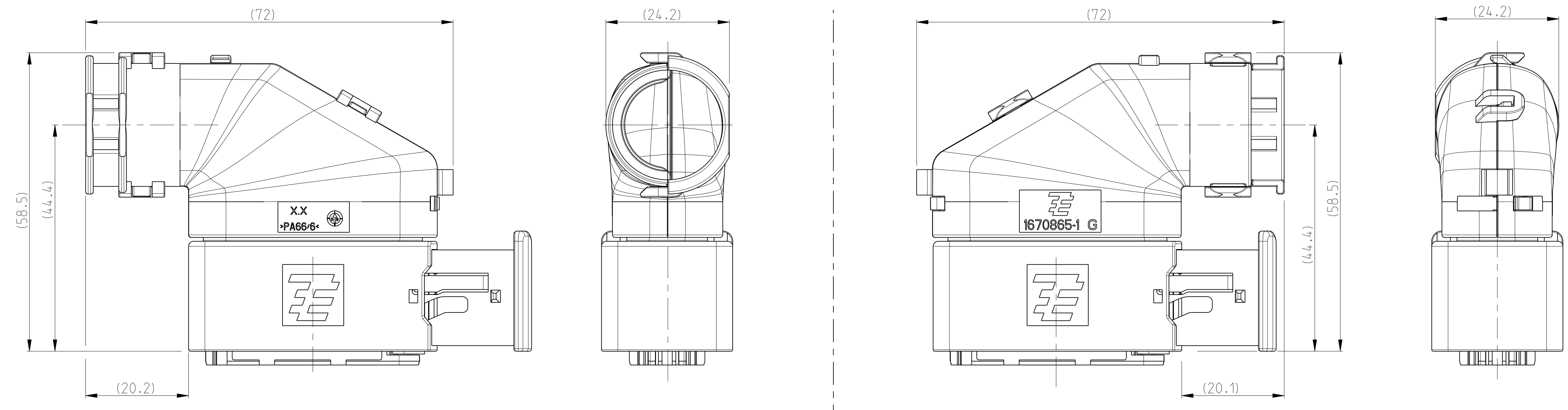
Tel: +86-755-8981 8866 Fax: +86-755-8427 6832

Email & Skype: info@chipsmall.com Web: www.chipsmall.com

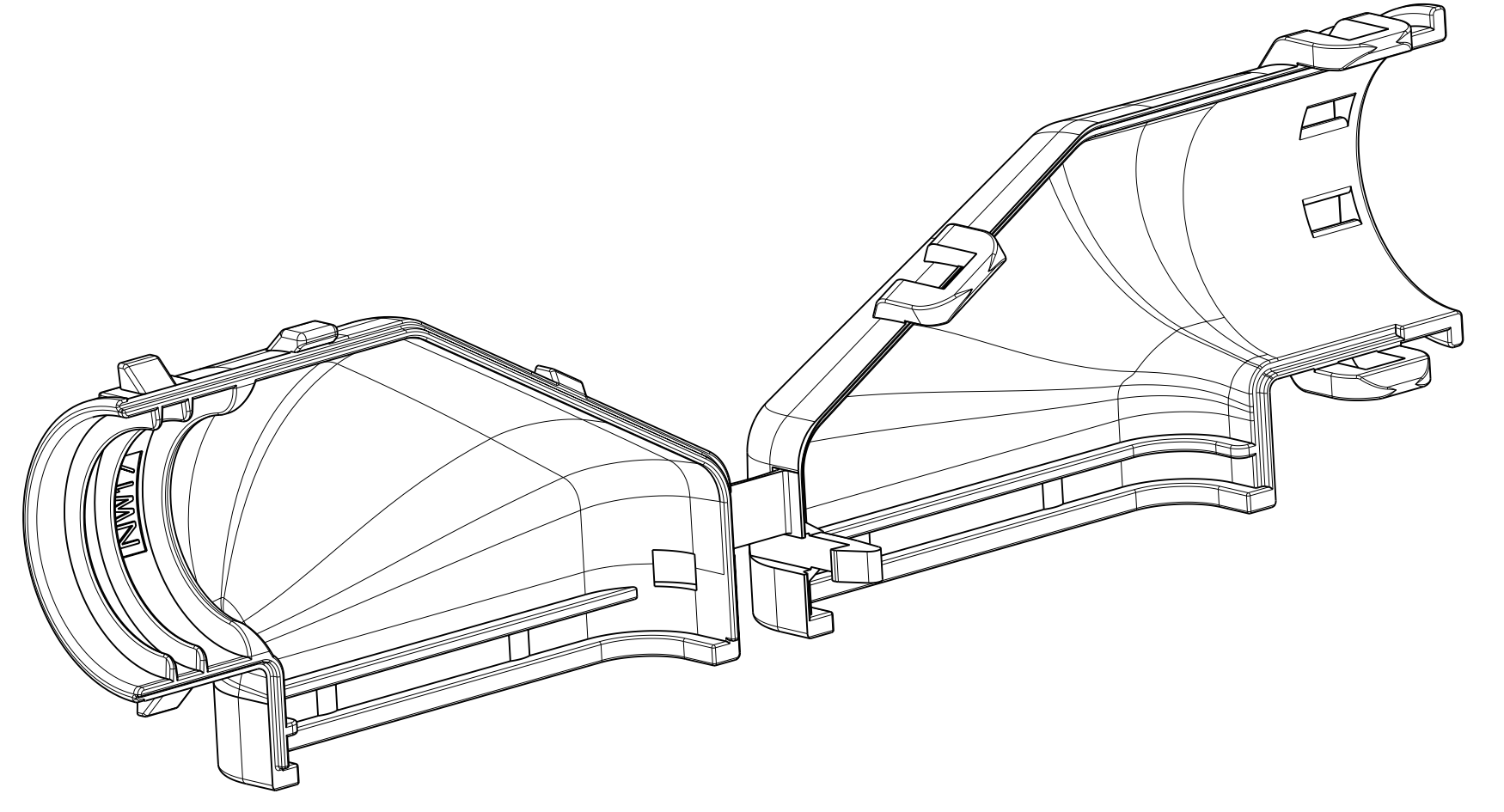
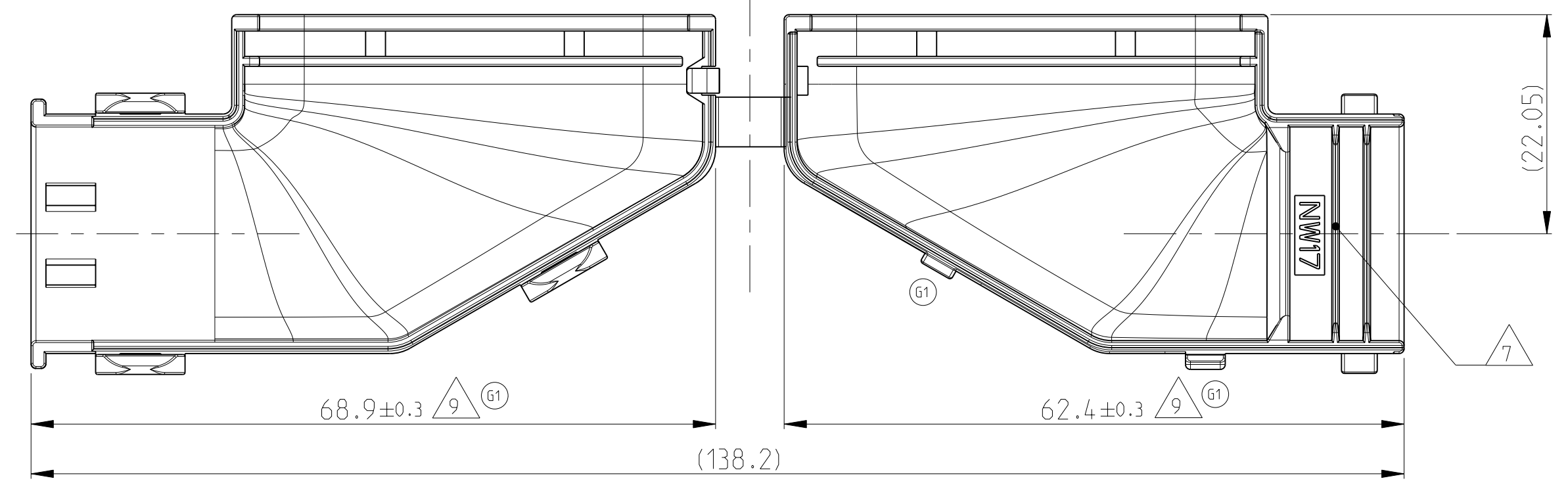
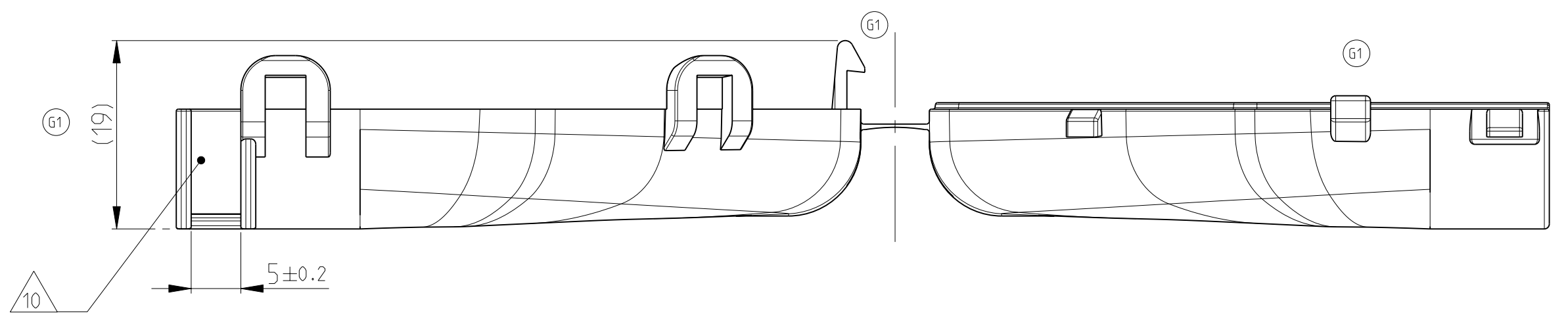
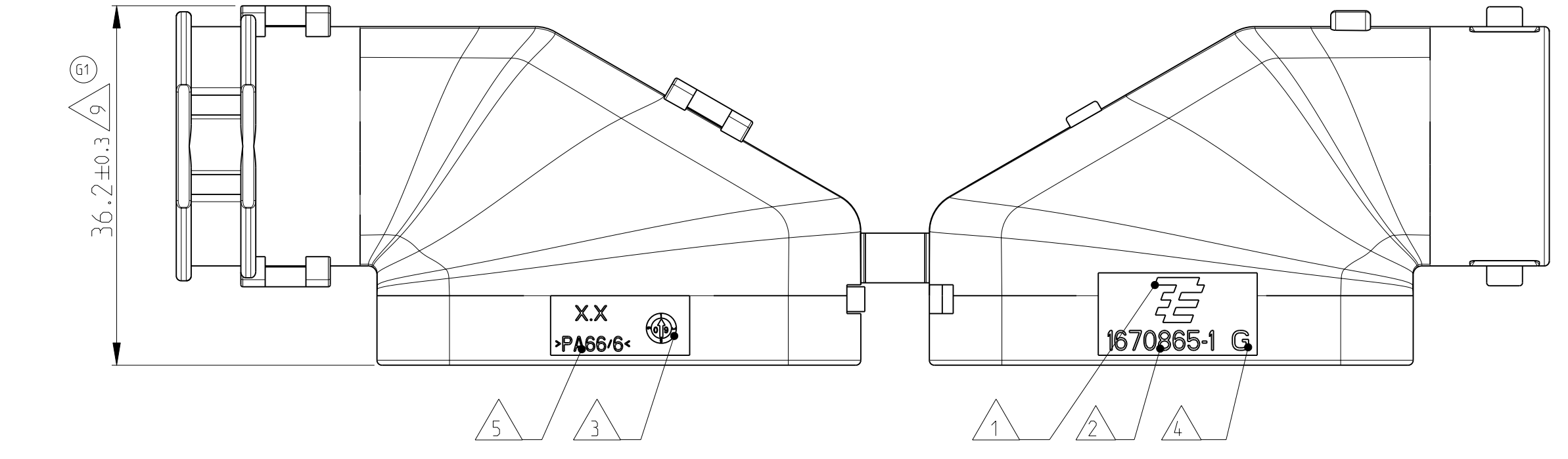
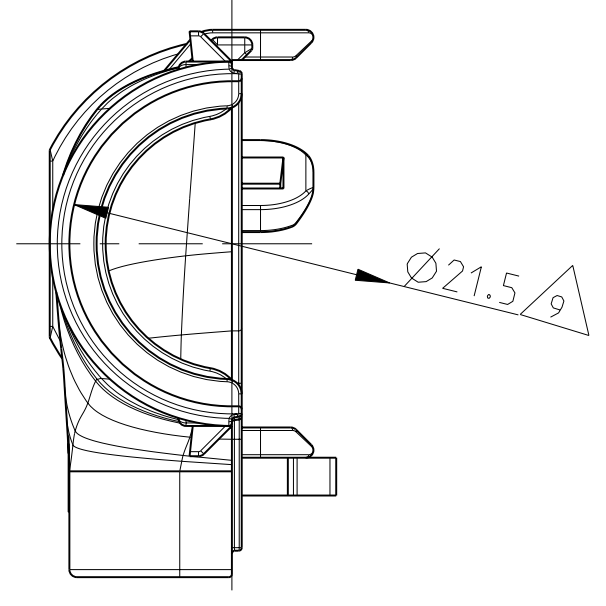
Address: A1208, Overseas Decoration Building, #122 Zhenhua RD., Futian, Shenzhen, China



11 MOUNTED COVER OPTIONS
 Befestigungsmöglichkeiten der Kappe



- NOTES
 Bemerkungen
- 1 TYCO ELECTRONICS (TE) LOGO
Tyco Electronics (TE) Logo
 - 2 TE ORDER-NO
TE Bestell-Nr.
 - 3 PRODUCTION DATE
Produktionsdatum
 - 4 LETTER-INSERT FOR THE REVISION STATUS OF THE MOULD
Schriftsatz fuer Aenderungszustand des Werkzeuges
ACTUAL STATUS: SEE TABLE
Aktueller Stand: siehe Tabelle
 - 5 MATERIAL MARKING ACCORDING TO VDA 260
Werkstoffkennzeichnung nach VDA 260
 - 6 BULK PACKAGING IN CORRUGATED BOX
Schuetzgefueh im Versandkarton
 - 7 CABLE EXIT DESIGNED FOR CORRUGATED TUBE NW 17
Kabelabgang ausgelegt fuer Wellrohr NW 17
 - 8 MALFUNCTION CAUSED BY LACQUER IS NOT COVER
BY TYCO ELECTRONICS' WARRANTY
Funktionsbeeintraechtigung durch Lackieren liegt nicht im Einfluss und
Gewaeerleistungsumfang von Tyco Electronics
 - 9 WARPAGE UP TO -1MM FROM NOMINAL DIMENSION PERMITTED
Verzug zulaessig bis -1mm vom NennmaB
 - 10 MAX. CABLE TIE WIDTH: 4.8mm
max. Kabelbinderbreite: 4.8mm
 - 11 SUITABLE TO RECEPTACLE HOUSING AND TAB HOUSING OF GROUP E
SEE PRODUCT GROUP DRAWING PN 1563709
Passend fuer Buchsengehaeuse und Flachsteckergehaeuse der Gruppe E
Siehe Produktgruppenzeichnung PN 1563709



1670865-1	G	COVER 90° Kappe 90°	1
TE ORDER-NO. TE Bestell-Nr.	REV.	DESCRIPTION Beschreibung	ITEM

DIMENSIONS MASSENHEITEN: mm		TOLERANCES UNLESS OTHERWISE SPECIFIED: ALL DIMENSIONS		DWN L. Goeltz 22AUG2008 CWA F. Ellrop 22AUG2008 APVD Ch. Fierwein 23AUG2008		Tyco Electronics Tyco Electronics AMP GmbH 64625 Bensheim (Germany)	
MATERIAL PA66/6 (V-0)		FINISH/BEPLÄCHE/FÄRBE BLACK SCHWARZ		WEIGHT GEWICHT 8.6g		NAME COVER 90 Kappe 90 Grad HDSCS - GROUP E	
CUSTOMER DRAWING		DRAWING NO. ZEICHNUNGS-NR. 00779 ©=1670865		SCALE MASSSTAB 5:1		SHEET BLATT 1 OF VON 1	