



Chipsmall Limited consists of a professional team with an average of over 10 year of expertise in the distribution of electronic components. Based in Hongkong, we have already established firm and mutual-benefit business relationships with customers from,Europe,America and south Asia,supplying obsolete and hard-to-find components to meet their specific needs.

With the principle of “Quality Parts,Customers Priority,Honest Operation,and Considerate Service”,our business mainly focus on the distribution of electronic components. Line cards we deal with include Microchip,ALPS,ROHM,Xilinx,Pulse,ON,Everlight and Freescale. Main products comprise IC,Modules,Potentiometer,IC Socket,Relay,Connector.Our parts cover such applications as commercial,industrial, and automotives areas.

We are looking forward to setting up business relationship with you and hope to provide you with the best service and solution. Let us make a better world for our industry!



Contact us

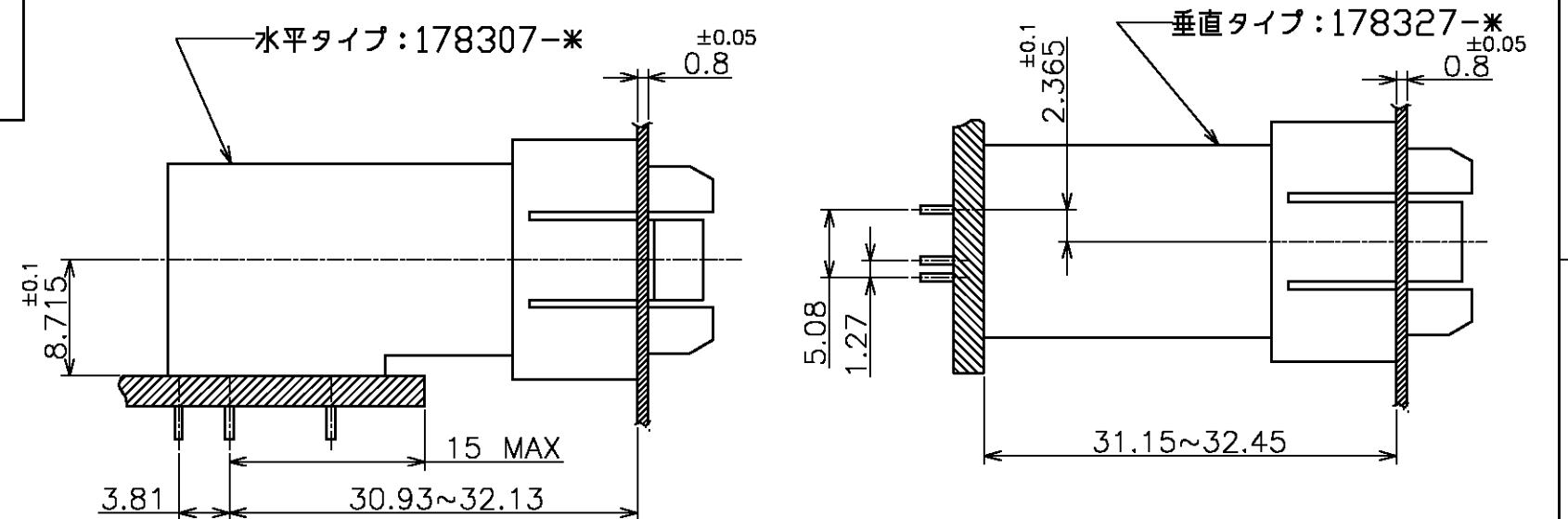
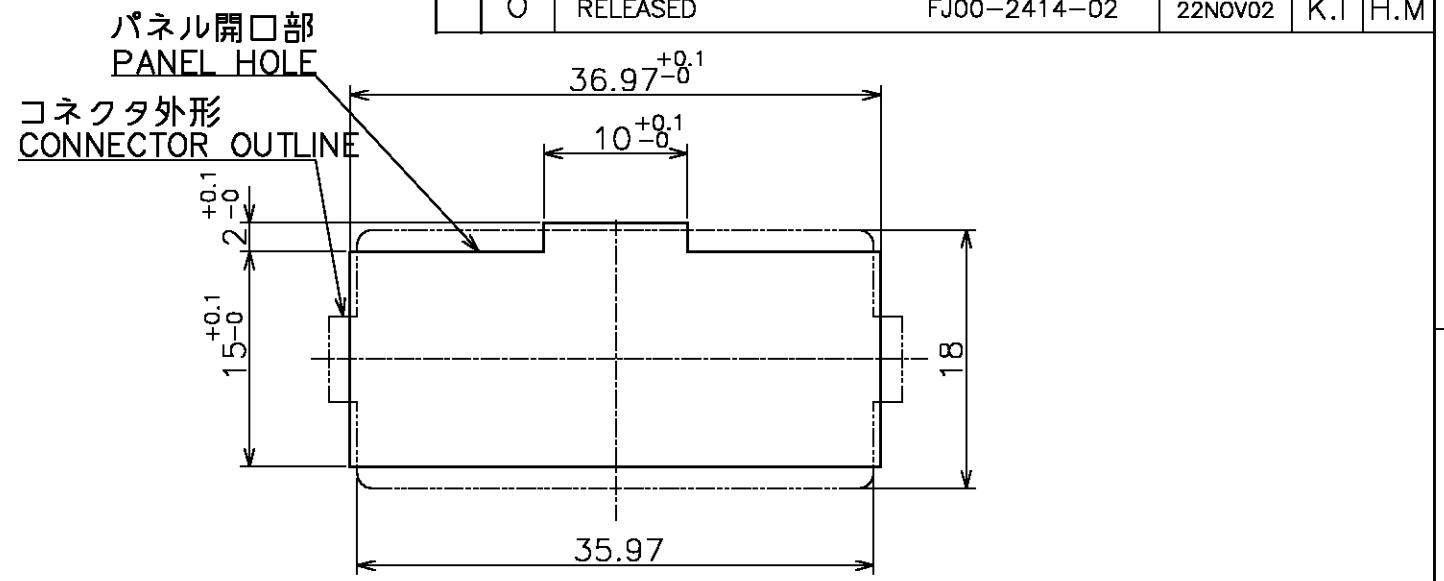
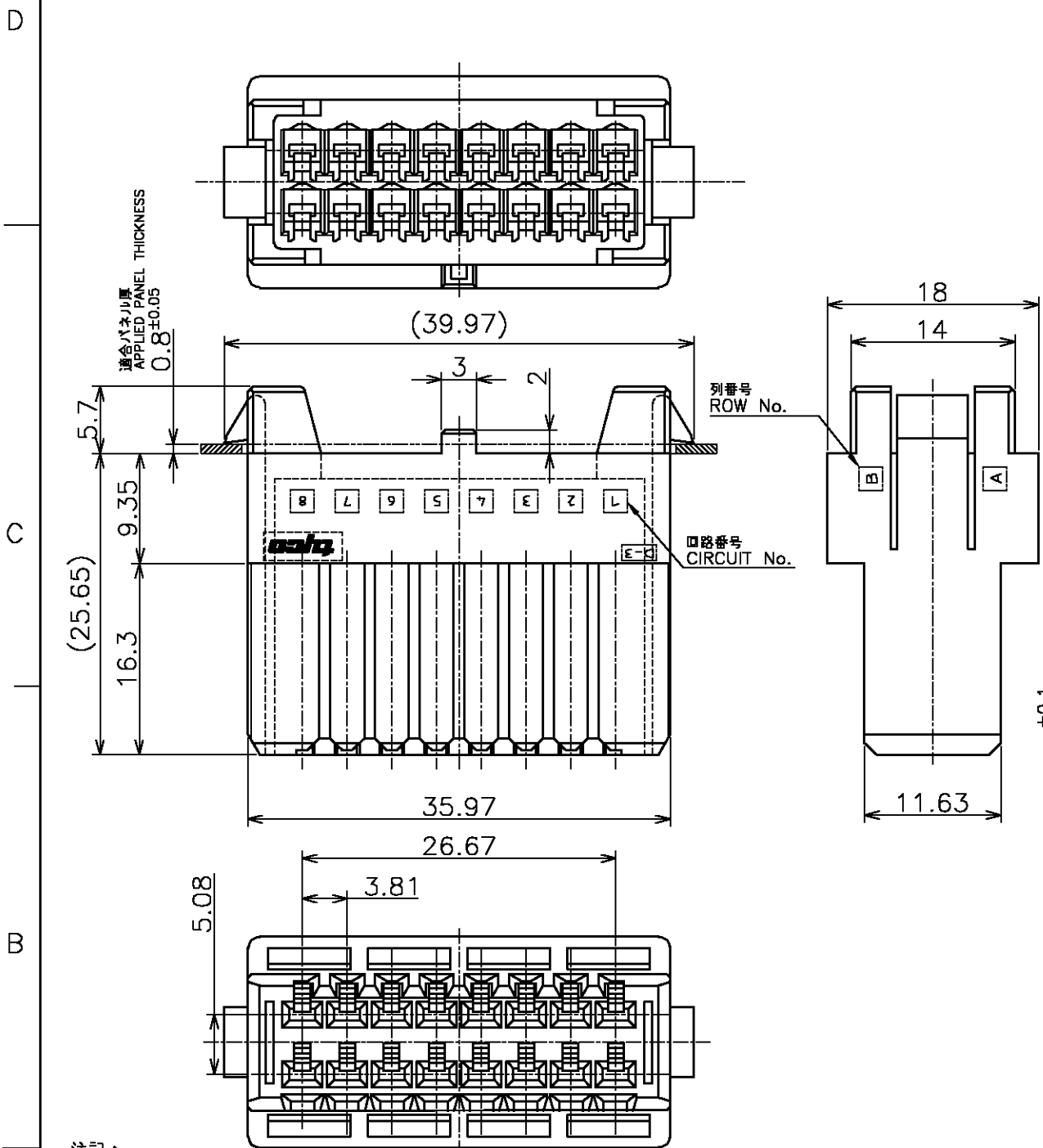
Tel: +86-755-8981 8866 Fax: +86-755-8427 6832

Email & Skype: info@chipsmall.com Web: www.chipsmall.com

Address: A1208, Overseas Decoration Building, #122 Zhenhua RD., Futian, Shenzhen, China



LOC	DIST	REVISIONS					
J		P	LTR	DESCRIPTION	DATE	DWN	APVD
			0	RELEASED	FJ00-2414-02	22NOV02	K.I H.M



パネル加工推奨寸法図 & 取付け推奨寸法
 RECOMMENDED PANEL LAYOUT & CONNECTOR LAYOUT

注記:
 1. 材料: ガラス入り熱可塑性樹脂 色; 黒色
 2. フローティング: ±0.5 (但し軸ズレ量を含む)
 3. コネクタはパネル打抜き側から挿入すること。

NOTES:
 1. MATERIAL: G.F. THERMO PLASTIC COLOR; BLACK
 2. FLOATING: ±0.5 (INCLUDE THE AMOUNT OF AXIAL GAP)
 3. THE CONNECTOR SHOULD BE ENTERED IN THE PUNCHED DIRECTION OF THE PANEL.

411-78066	24~28	175194-*	20~24	175195-*	16~20	175196-*	14~16	917484-*	16	1674157-7
取説 INSTRUCTION SHEET	AWG	P/N	AWG	P/N	AWG	P/N	AWG	P/N	極数 Pos.	型番 P/N
THIS DRAWING IS A CONTROLLED DOCUMENT.			適用コンタクト APPLIED CONTACT			Tyco Electronics AMP K.K. Kawasaki, Japan				
DIMENSIONS: 単位: 概 MM			TOLERANCES UNLESS OTHERWISE SPECIFIED: 一般公差			NAME 名称				
0 PLC ± 0.3 1 PLC ± 0.3 2 PLC ± 0.3 3 PLC ± 0.3 4 PLC ± 0.3 ANGLES ± 3°			FINISH 仕上			DYNAMIC DRAWER CONNECTOR PANEL MOUNT SNAP FIT TYPE D-3100D 3.81 x 5.08 PITCH				
MATERIAL 材料			DWN K.IINO 21NOV02 CHK T.KUSUHARA 21NOV02 APVD S.MANABE 22NOV02			SIZE A3				
△			△			CAGE CODE 00779				
△			△			DRAWING NO 1674157				
△			△			RESTRICTED TO				
△			△			SCALE 2:1				
△			△			SHEET 1 OF 1				
△			△			REV 0				