



Chipsmall Limited consists of a professional team with an average of over 10 year of expertise in the distribution of electronic components. Based in Hongkong, we have already established firm and mutual-benefit business relationships with customers from,Europe,America and south Asia,supplying obsolete and hard-to-find components to meet their specific needs.

With the principle of “Quality Parts,Customers Priority,Honest Operation,and Considerate Service”,our business mainly focus on the distribution of electronic components. Line cards we deal with include Microchip,ALPS,ROHM,Xilinx,Pulse,ON,Everlight and Freescale. Main products comprise IC,Modules,Potentiometer,IC Socket,Relay,Connector.Our parts cover such applications as commercial,industrial, and automotives areas.

We are looking forward to setting up business relationship with you and hope to provide you with the best service and solution. Let us make a better world for our industry!



## Contact us

Tel: +86-755-8981 8866 Fax: +86-755-8427 6832

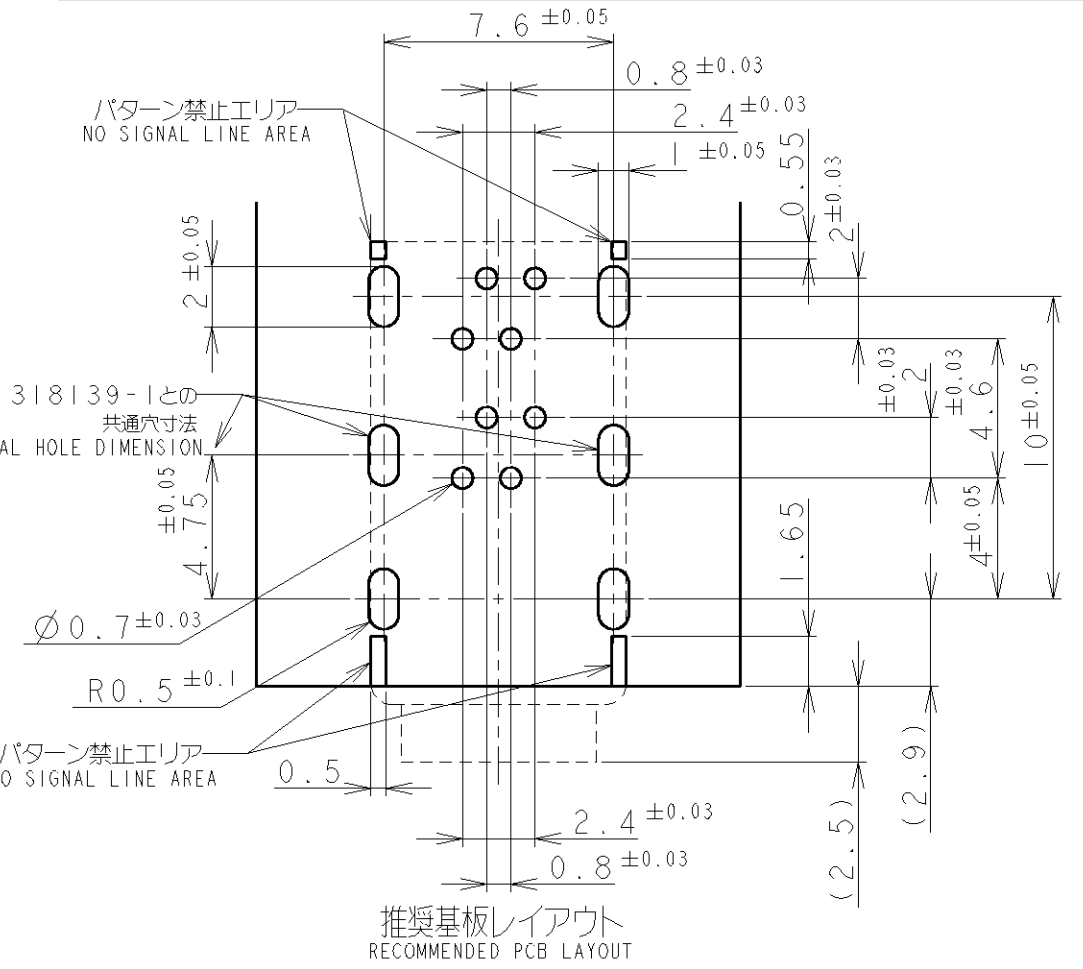
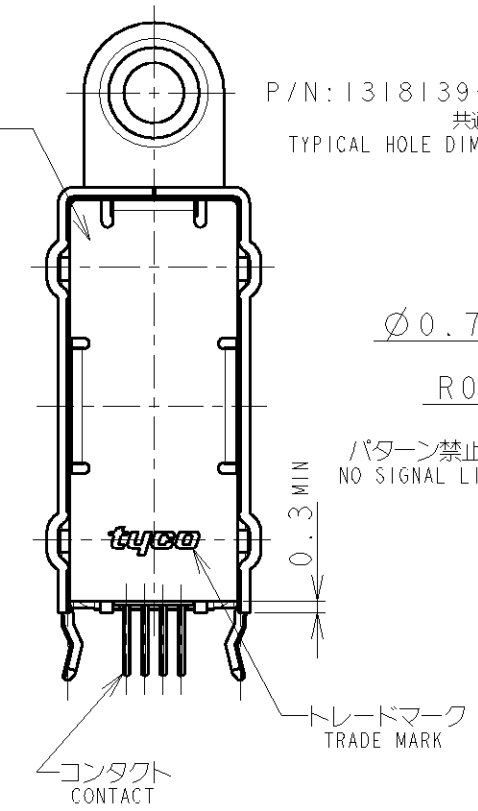
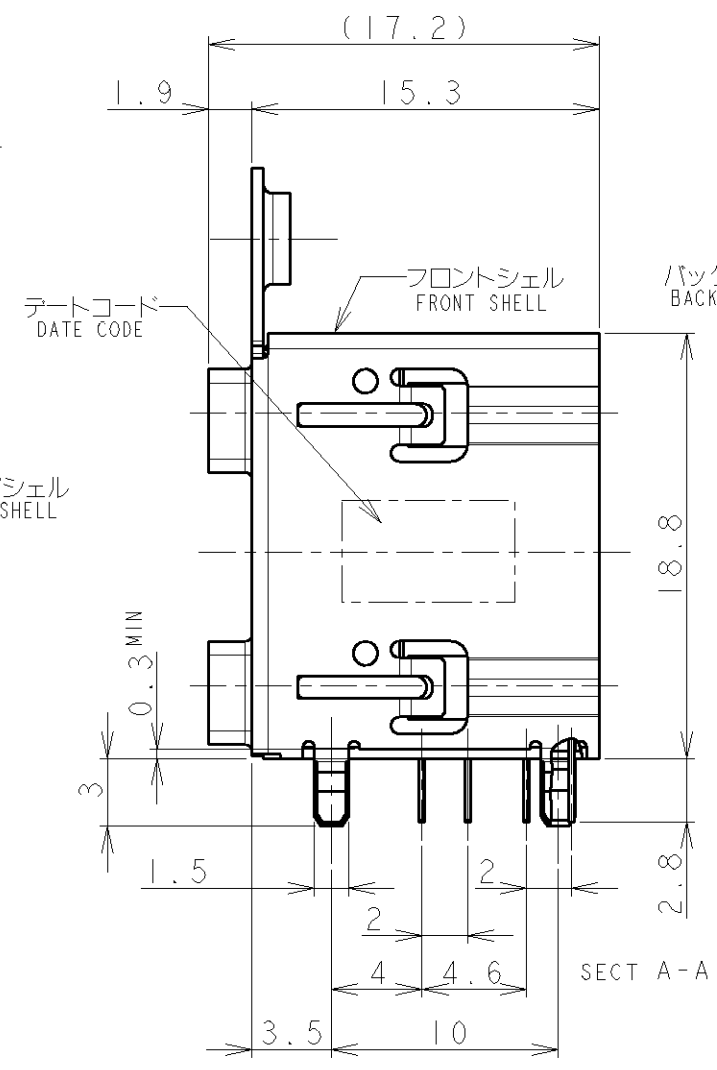
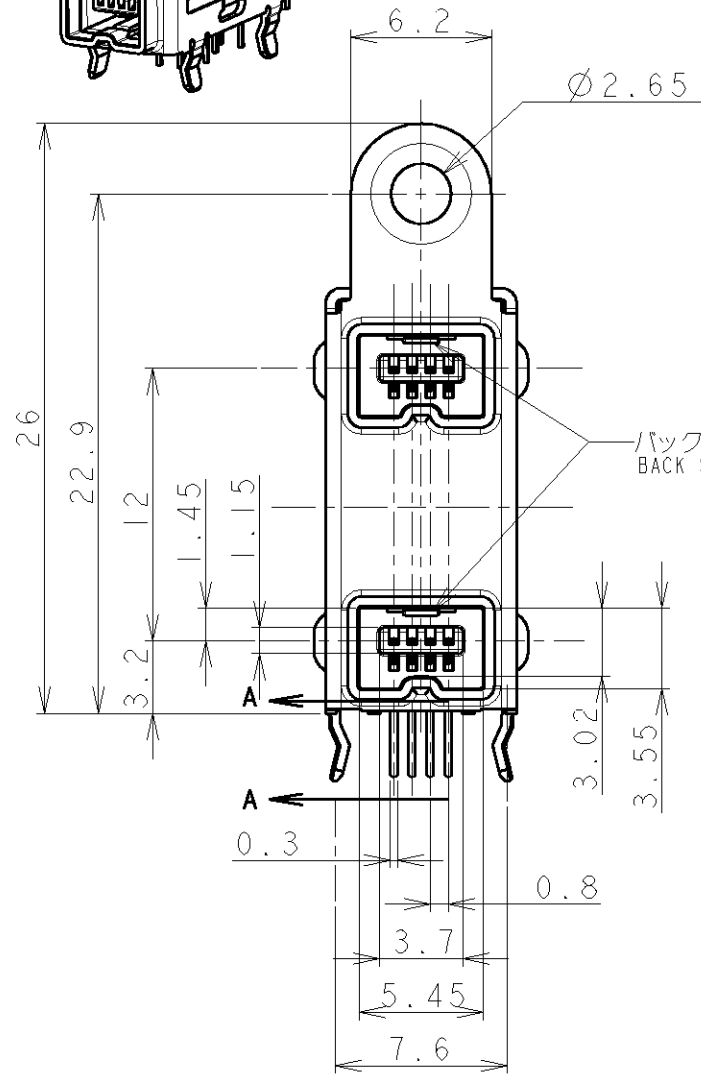
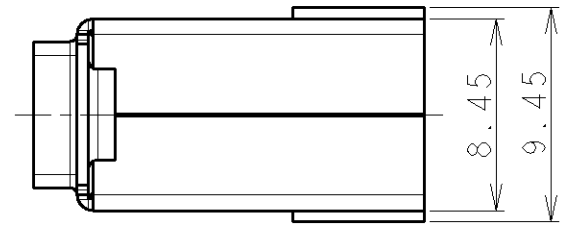
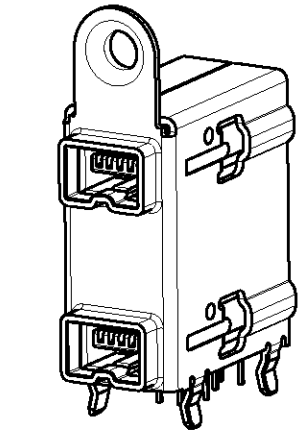
Email & Skype: info@chipsmall.com Web: www.chipsmall.com

Address: A1208, Overseas Decoration Building, #122 Zhenhua RD., Futian, Shenzhen, China



THIS DRAWING IS UNPUBLISHED. RELEASED FOR PUBLICATION 20  
 © COPYRIGHT 20 BY TYCO ELECTRONICS CORPORATION. ALL RIGHTS RESERVED.

| LOC | DIST | REVISIONS |     |             |              |           |     |      |
|-----|------|-----------|-----|-------------|--------------|-----------|-----|------|
|     |      | P         | LTR | DESCRIPTION | ECN          | DATE      | DWN | APVD |
| J   |      | 0         |     | RELEASED    | FJ00-0145-03 | 22JAN2003 | J.T | H.M  |



推奨基板レイアウト  
 RECOMMENDED PCB LAYOUT  
 (1.6 ± 0.1 THK 部品実装側)  
 COMPONENT MOUNTING SIDE

注記  
 1. 一般公差: ±0.3, 角度: ±3°  
 材料  
 ハウジング: 熱可塑性樹脂 UL94V-0 色: 黒  
 コンタクト: 銅合金 板厚: 0.25mm  
 フロントシェル: 銅合金 板厚: 0.5mm  
 バックシェル: 銅合金 板厚: 0.2mm  
 バックカバー: 銅合金 板厚: 0.3mm  
 仕上げ  
 コンタクト: 全面: ニッケル下地めっき 0.0013mm MIN.  
 接触部: 金めっき 0.0003mm MIN.  
 はんだ付部: 錫めっき 0.002mm MIN.  
 フロントシェル: 全面ニッケル下地めっき 0.0013mm MINの上に錫めっき 0.002mm MIN.  
 バックシェル: 全面ニッケル下地めっき 0.0008mm MINの上に錫めっき 0.001mm MIN.  
 バックカバー: 全面ニッケル下地めっき 0.0013mm MINの上に錫めっき 0.002mm MIN.  
 4. M3タッピング+BVTP 推奨トルク: 7kgf MAX.

本図 AS SHOWN: -1

NOTES  
 1. GENERAL TOLERANCE : ±0.3. ANGLE : ±3°  
 MATERIAL  
 HSG : GLASS FILLED PBT UL94V-0 COLOR : BLACK  
 CONTACT : PHOS BRONZE THK : 0.25mm  
 FRONT SHELL : BRASS THK : 0.5mm  
 BACK SHELL : PHOS BRONZE THK : 0.2mm  
 BACK COVER : PHOS BRONZE THK : 0.3mm  
 FINISH  
 CONTACT : ALL OVER Ni UNDER PLATING : 0.0013mm MIN.  
 CONTACT AREA Au PLATING : 0.0003mm MIN.  
 TINE AREA TIN PLATING : 0.002mm MIN.  
 FRONT SHELL : ALL OVER Ni UNDER PLATING : 0.0013mm MIN.  
 ALL OVER TIN PLATING : 0.002mm MIN.  
 BACK SHELL : ALL OVER Ni UNDER PLATING : 0.0008mm MIN.  
 ALL OVER PRE-TIN PLATING : 0.001mm MIN.  
 BACK COVER : ALL OVER Ni UNDER PLATING : 0.0013mm MIN.  
 ALL OVER TIN PLATING : 0.002mm MIN.  
 4. M3 TAPPING+BVTP RECOMMENDED TORQUE : 7kgf MAX.

|  |  |   |           |                      |                              |                  |
|--|--|---|-----------|----------------------|------------------------------|------------------|
| THIS DRAWING IS A CONTROLLED DOCUMENT FOR TYCO ELECTRONICS CORPORATION<br>IT IS SUBJECT TO CHANGE AND THE CONTROLLING ENGINEERING ORGANIZATION<br>SHOULD BE CONTACTED FOR THE LATEST REVISION. |  | DWN   | 22JAN2003 |                      | Tyco Electronics AMP K.K.    |                  |
|  |  | J.TANIGAWA  |           |                      | Kawasaki, Japan              |                  |
|  |  | CHK   | 22JAN2003 | NAME<br>名称           | REC HEADER ASSEMBLY DIP TYPE |                  |
|  |  | H.MURAMATSU   |           |                      | IEEEI394 2 PORT STACKED      |                  |
|  |  | APVD  | 22JAN2003 | PRODUCT SPEC<br>製品規格 | 108-5545                     |                  |
|  |  | I.ENOMOTO   |           |                      | APPLICATION SPEC<br>取付適用規格   |                  |
| DIMENSIONS:<br>単位: 概<br>mm   |  | TOLERANCES UNLESS<br>OTHERWISE SPECIFIED:                               |           | SIZE                 | CAGE CODE                    | DRAWING NO<br>番号 |
| 一般公差<br>0 PLC ±<br>1 PLC ±<br>2 PLC ±<br>3 PLC ±<br>4 PLC ±<br>ANGLES ±  |  | 一般公差<br>0 PLC ±<br>1 PLC ±<br>2 PLC ±<br>3 PLC ±<br>4 PLC ±<br>ANGLES ± |           | A3                   | 00779                        | C=1674260        |
| MATERIAL<br>材料   |  | FINISH<br>仕上  |           | WEIGHT               | RESTRICTED TO                |                  |
| 2  |  | 3   |           | 5.7g                 | NON                          |                  |
| CUSTOMER DRAWING   |  |   |           | SCALE<br>尺度          | SHEET                        | REV              |
|  |  |   |           | NON                  | 1 OF 1                       | 0                |

