



Chipsmall Limited consists of a professional team with an average of over 10 year of expertise in the distribution of electronic components. Based in Hongkong, we have already established firm and mutual-benefit business relationships with customers from,Europe,America and south Asia,supplying obsolete and hard-to-find components to meet their specific needs.

With the principle of “Quality Parts,Customers Priority,Honest Operation,and Considerate Service”,our business mainly focus on the distribution of electronic components. Line cards we deal with include Microchip,ALPS,ROHM,Xilinx,Pulse,ON,Everlight and Freescale. Main products comprise IC,Modules,Potentiometer,IC Socket,Relay,Connector.Our parts cover such applications as commercial,industrial, and automotives areas.

We are looking forward to setting up business relationship with you and hope to provide you with the best service and solution. Let us make a better world for our industry!



Contact us

Tel: +86-755-8981 8866 Fax: +86-755-8427 6832

Email & Skype: info@chipsmall.com Web: www.chipsmall.com

Address: A1208, Overseas Decoration Building, #122 Zhenhua RD., Futian, Shenzhen, China



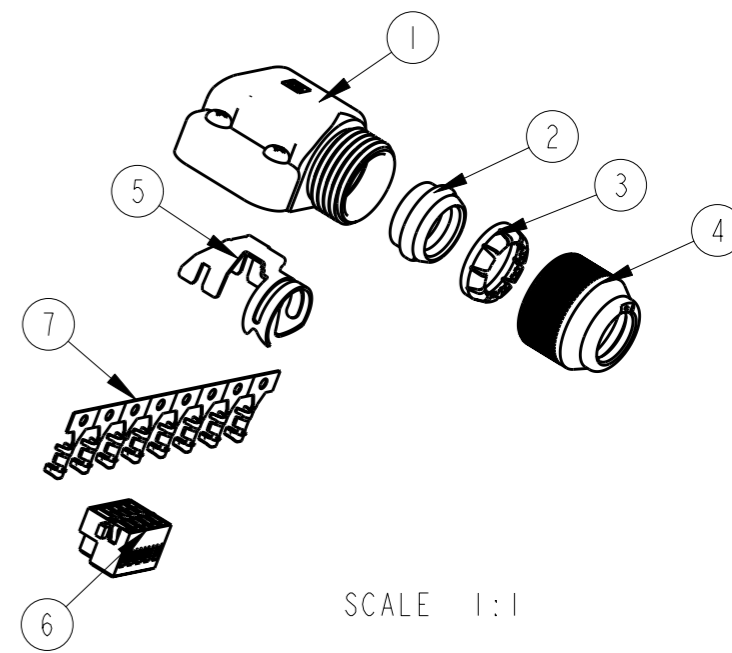
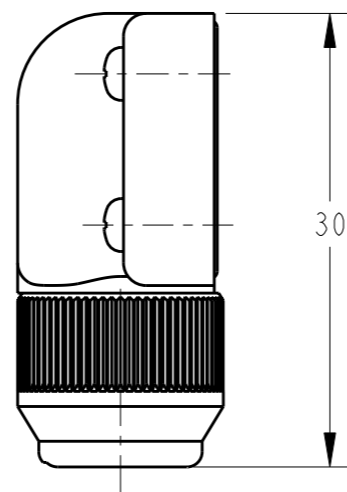
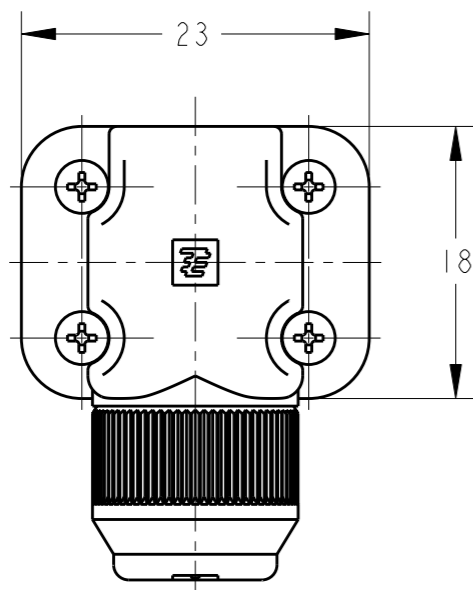
THIS DRAWING IS UNPUBLISHED.

RELEASED FOR PUBLICATION

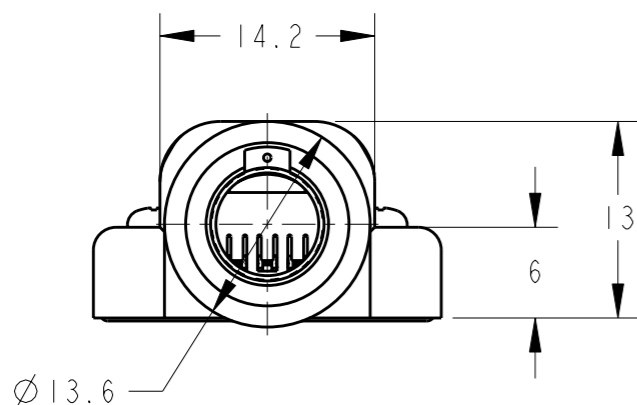
© COPYRIGHT -

ALL RIGHTS RESERVED.

LOC	DIST	REVISIONS			
P	LTR	DESCRIPTION	DATE	DWN	APVD
J		C1	REVISED PER ECO-11-005030	26MAR2011	RK HMR




SCALE 1:1



1. HANDLING OF THIS PRODUCT REFER TO THE INSTRUCTION SHEET(411-78082)

1. Instruction Sheet(411-78082)を確認して組み立て願います。

8	PHOS-PHO BRONZE, GOLD PL. リン青銅、金めっき	REC. CONTACT リセプタクル・コンタクト	7
1	POLYAMIDE/PHOS-PHO BRONZE ポリアミド樹脂/リン青銅	INNER REC. HSG. インナー・リセプタクル・ハウジング	6
1	STEEL, Ni PL. 鋼、ニッケルめっき	GROUND CLIP グラウンド・クリップ	5
1	POLYESTER RESIN ポリエステル樹脂	WIRE FIXED SET SCREW ワイヤー・フィックスド・セット・スクリュー	4
1	POLYACETAL RESIN ポリアセタール樹脂	WIRE CLAMP ワイヤー・クランプ	3
1	NBR ニトリルゴム	WIRE RUBBER PACKING ワイヤー・ラバー・パッキン	2
1	POLYESTER RESIN/STEEL, Ni PL./NBR ポリエステル樹脂/鋼、ニッケルめっき/ニトリルゴム	REC. CASE ASS'Y リセプタクル・ケース・アセンブリ	1
-1	MATERIAL FINISH 材質 仕上げ	NAME 名前	ITEM NO.

THIS DRAWING IS A CONTROLLED DOCUMENT.		DWN T. SAMI 01APR2003	 TE Connectivity	
DIMENSIONS: mm		CHK S. MANABE 19APR2003		
TOLERANCES UNLESS OTHERWISE SPECIFIED: ±0.3		APVD S. MANABE 19APR2003	NAME ENCODER CABLE I/O KIT MICRO MOTOR CONNECTOR	
MATERIAL		PRODUCT SPEC 108-5864	SIZE A3	CAGE CODE 00779
FINISH		APPLICATION SPEC 114-5335	DRAWING NO C-1674320	RESTRICTED TO
		WEIGHT	SCALE 2:1 SHEET 1 OF 1 REV C1	
		CUSTOMER DRAWING		