



Chipsmall Limited consists of a professional team with an average of over 10 year of expertise in the distribution of electronic components. Based in Hongkong, we have already established firm and mutual-benefit business relationships with customers from,Europe,America and south Asia,supplying obsolete and hard-to-find components to meet their specific needs.

With the principle of “Quality Parts,Customers Priority,Honest Operation,and Considerate Service”,our business mainly focus on the distribution of electronic components. Line cards we deal with include Microchip,ALPS,ROHM,Xilinx,Pulse,ON,Everlight and Freescale. Main products comprise IC,Modules,Potentiometer,IC Socket,Relay,Connector.Our parts cover such applications as commercial,industrial, and automotives areas.

We are looking forward to setting up business relationship with you and hope to provide you with the best service and solution. Let us make a better world for our industry!



## Contact us

Tel: +86-755-8981 8866 Fax: +86-755-8427 6832

Email & Skype: info@chipsmall.com Web: www.chipsmall.com

Address: A1208, Overseas Decoration Building, #122 Zhenhua RD., Futian, Shenzhen, China

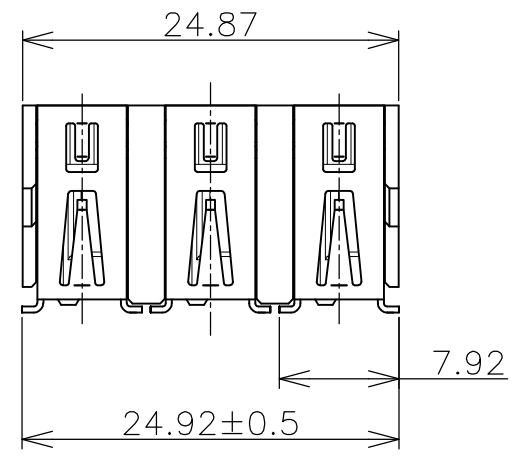


THIS DRAWING IS UNPUBLISHED. RELEASED FOR PUBLICATION  
 © COPYRIGHT 2004 By - ALL RIGHTS RESERVED.

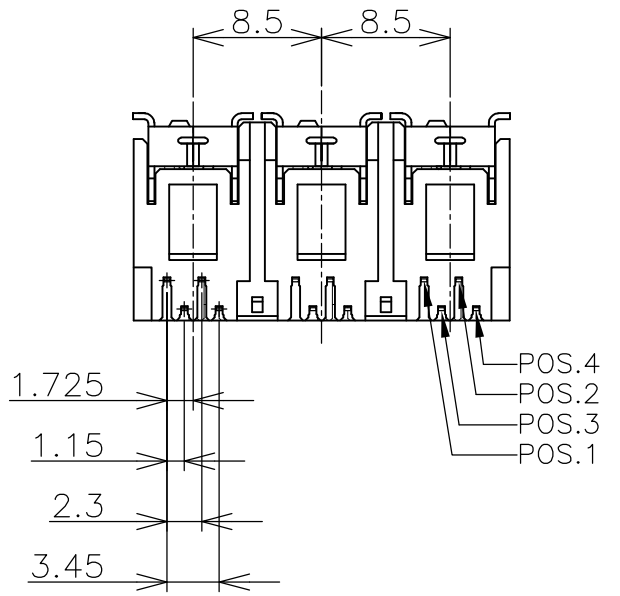
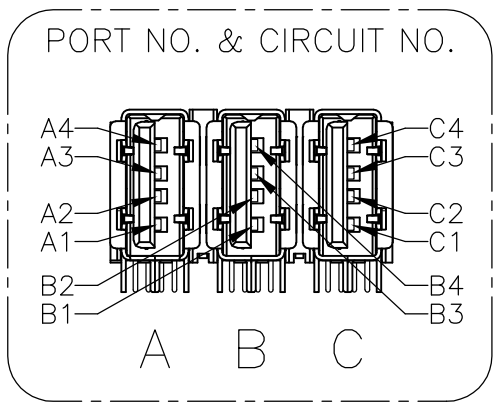
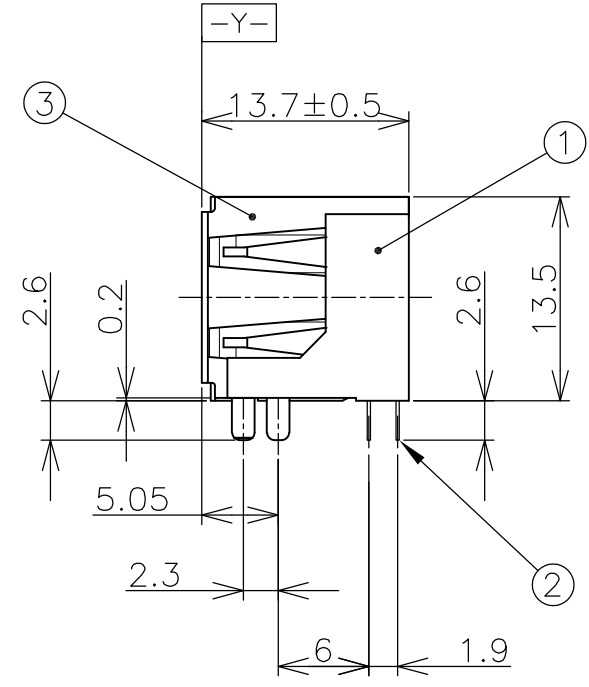
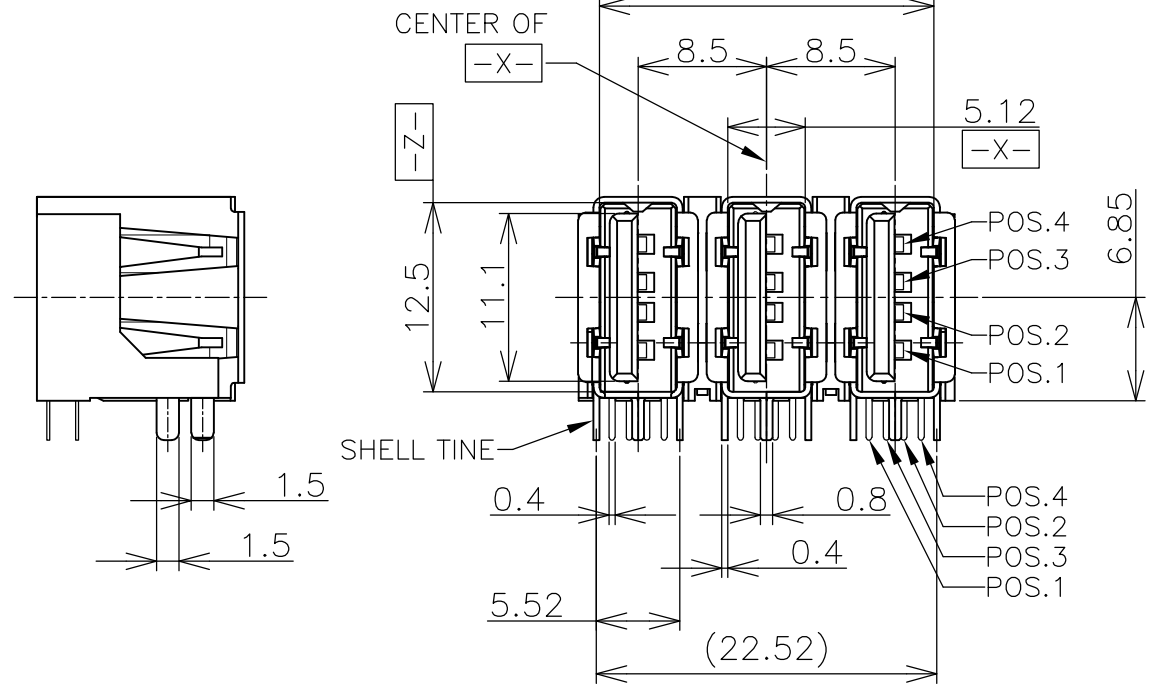
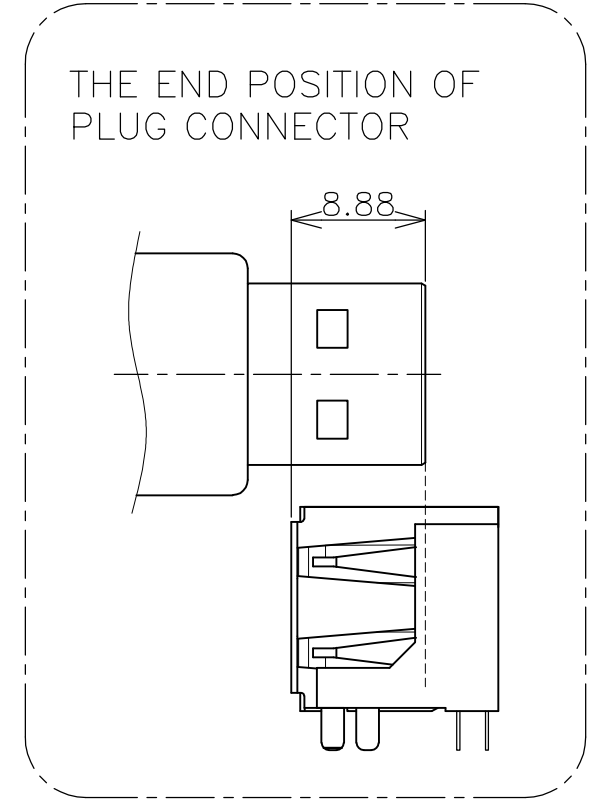
LOC	DIST	REVISIONS					
J	/	P	LTR	DESCRIPTION	DATE	DWN	APVD
		B1		REVISED PER ECO-11-005030	11MAR11	RK	HMR

FRONT SHELL	③
CONTACT	②
HOUSING	①
NAME	ITEM No.

1-1674451-3  
 1674451-3  
 AS SHOWN



- ① MATERIAL  
 HOUSING:THERMO-PLASTICS UL94V-0 NATURAL  
 CONTACT:COPPER ALLOY  
 FRONT SHELL:COPPER ALLOY
- ② FINISH  
 CONTACT:NICKEL UNDER PLATE ALL OVER.  
 CONTACT AREA:GOLD PLATE  
 TINE AREA:TIN PLATE  
 FRONT SHELL:TIN PLATE
- ③ FINISH  
 CONTACT:NICKEL UNDER PLATE ALL OVER.  
 CONTACT AREA:GOLD PLATE  
 TINE AREA:TIN-LEAD PLATE  
 FRONT SHELL:TIN-LEAD PLATE



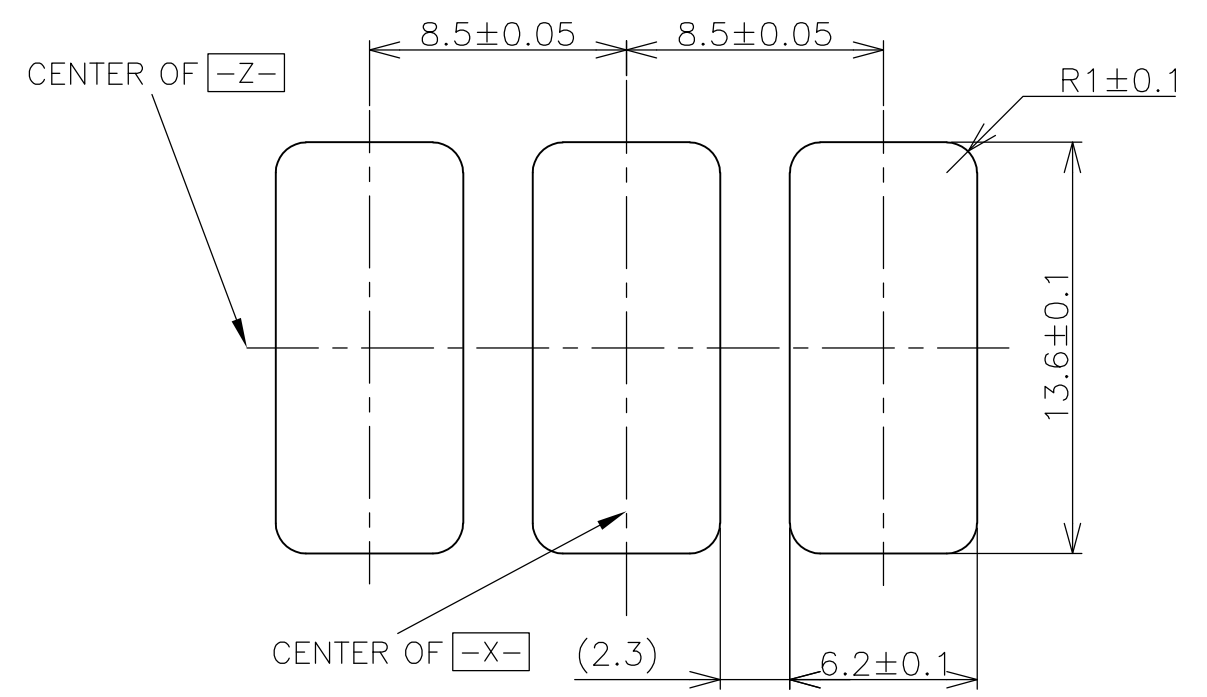
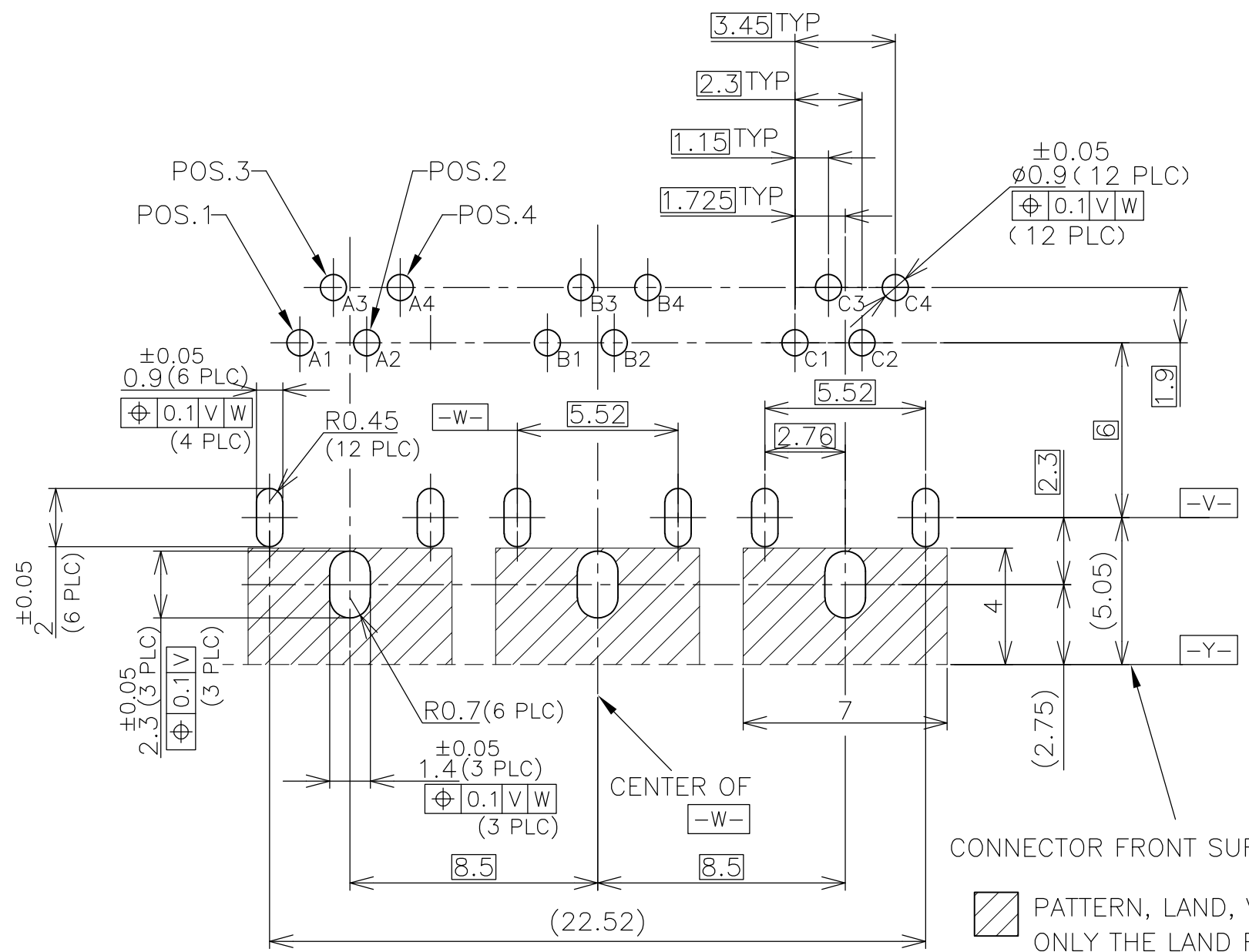
SEE SHEET 3, 4	③	1-1674451-4
	②	1674451-4
SEE SHEET 1, 2	③	1-1674451-3
	②	1674451-3
REMARK	FINISH	PART NO.

THIS DRAWING IS A CONTROLLED DOCUMENT.		DWN M.UMEHARA 16DEC03	TE Connectivity	
DIMENSIONS: 单位: 耗 MM		CHK S.KAJINUMA 16DEC03		
TOLERANCES UNLESS OTHERWISE SPECIFIED: 一般公差		APVD Y.YAMAMOTO 16DEC03	NAME 名称	
0 PLC ± 0.3		PRODUCT SPEC 製品規格	USB CONNECTOR RECEPTACLE TYPE	
1 PLC ± 0.3		APPLICATION SPEC 取付適用規格	108-5804	
2 PLC ± 0.3		WEIGHT	SIZE A3	CAGE CODE 00779
3 PLC ± 0.3		RESTRICTED CUSTOMER	DRAWING NO 番号	G-1674451
4 PLC ± 0.3			RESTRICTED TO	SCALE 尺度 2:1
ANGLES ± 3'			REV	B1

THIS DRAWING IS UNPUBLISHED. RELEASED FOR PUBLICATION  
 © COPYRIGHT 2004 By - ALL RIGHTS RESERVED.

LOC	DIST	REVISIONS		
J	/	P	LTR	DESCRIPTION
		-	-	SEE SHEET 1
			DATE	DWN
			-	-
			APVD	-

APPLICATION PRODUCT: 1674451-3  
 1-1674451-3



\* THIS DIMENSIONS ARE NOT CONSIDERATION  
 PANEL TOLERANCE AND PANEL ASSEMBLY TOLERANCE.

RECOMMENDED PANEL DIMENSION  
 (SCALE 4:1)

CONNECTOR FRONT SURFACE

PATTERN, LAND, VIA HOLE, MOUNT, PROHIBITION AREA.  
 ONLY THE LAND FOR SOLDERING OF FRONT SHELL IS OK.

RECOMMENDED LAYOUT OF P.C.B  
 (CONNECTOR MOUNTING SIDE)  
 RECOMMENDED THICKNESS: 1.0~1.6mm

THIS DRAWING IS A CONTROLLED DOCUMENT.		DWN	TE Connectivity		
DIMENSIONS: 单位: 耗 MM		CHK			
TOLERANCES UNLESS OTHERWISE SPECIFIED: 一般公差		APVD	NAME 名称		
0 PLC ± 0.3		PRODUCT SPEC 製品規格	USB CONNECTOR RECEPTACLE TYPE		
1 PLC ± 0.3		APPLICATION SPEC 取付適用規格	SIZE	CAGE CODE	DRAWING NO 番号
2 PLC ± 0.3		WEIGHT	A3	00779	C-1674451
3 PLC ± 0.3			RESTRICTED TO		
4 PLC ± 0.3			RESTRICTED CUSTOMER		
ANGLES ± 3'			SCALE 尺度	SHEET	REV
MATERIAL 材料			5:1	2 OF 4	B1

THIS DRAWING IS UNPUBLISHED.

RELEASED FOR PUBLICATION

LOC J DIST

REVISIONS

変更

DESCRIPTION

DATE

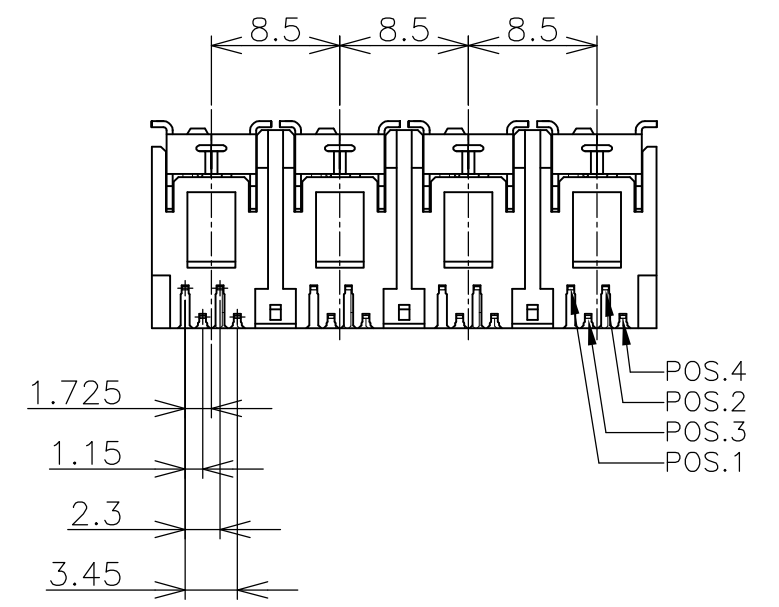
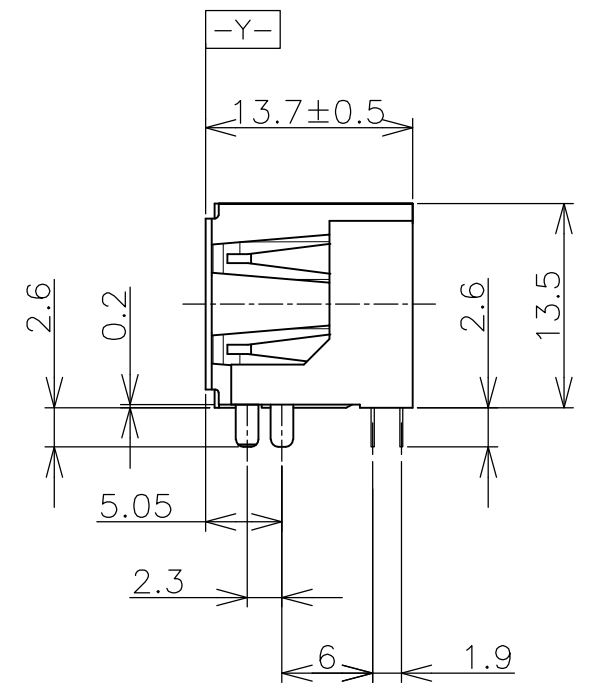
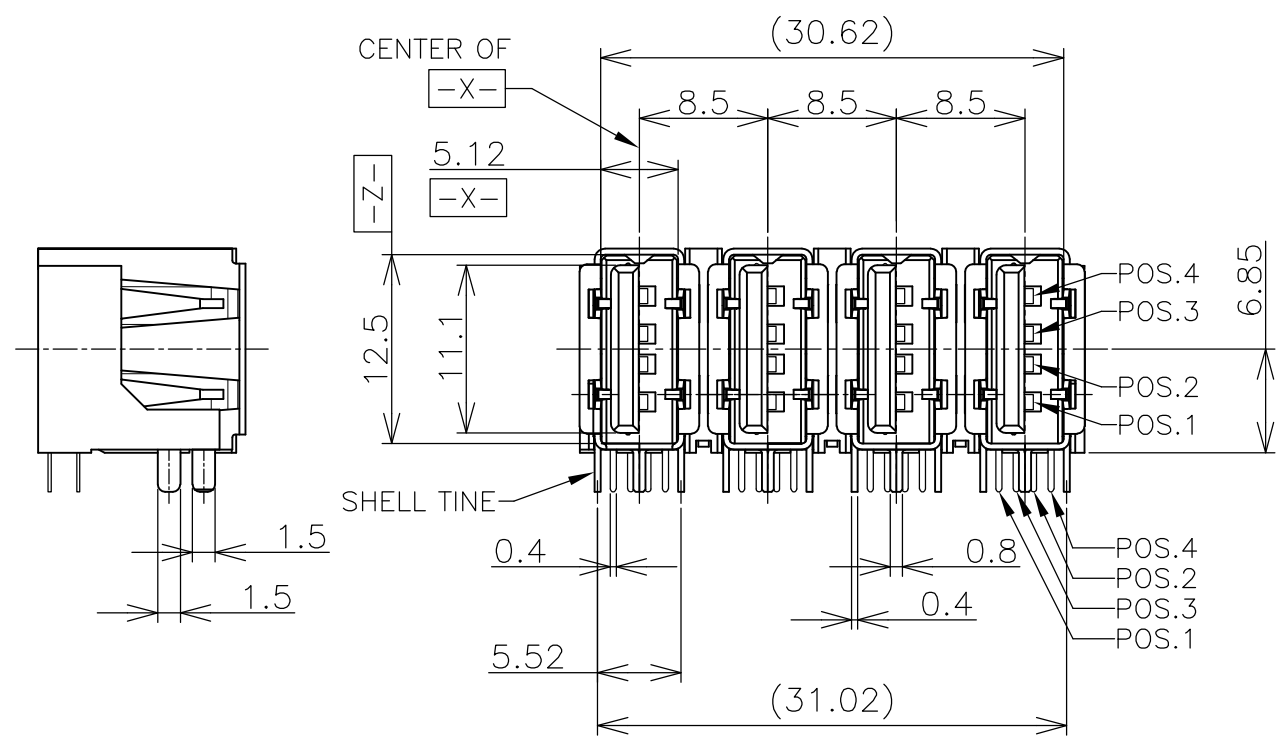
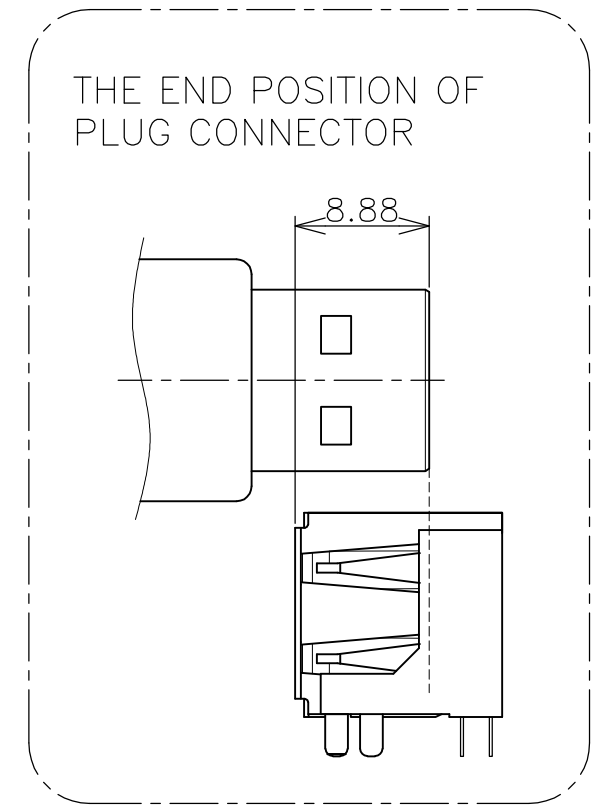
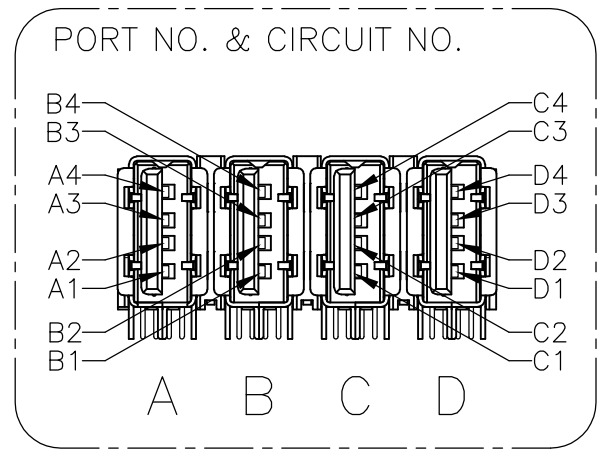
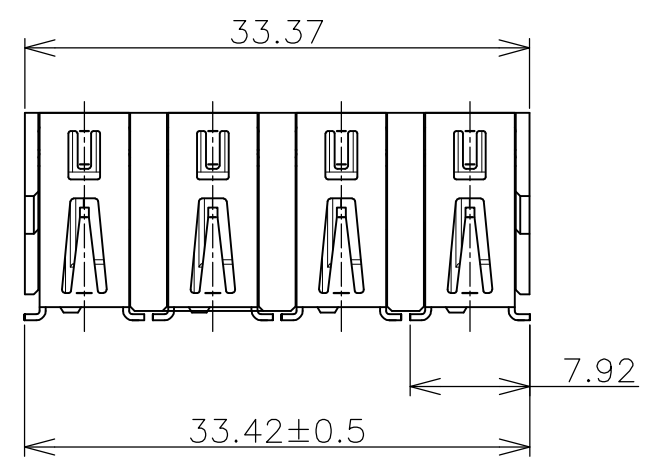
DWN

APVD

© COPYRIGHT 2004 By -

ALL RIGHTS RESERVED.

P	LTR	DESCRIPTION	DATE	DWN	APVD
-	-	SEE SHEET 1	-	-	-



1-1674451-4 :AS SHOWN  
1674451-4

THIS DRAWING IS A CONTROLLED DOCUMENT.		DWN	<b>STE</b> TE Connectivity		
DIMENSIONS: 单位: 耗 MM		CHK			
TOLERANCES UNLESS OTHERWISE SPECIFIED: 一般公差		APVD	USB CONNECTOR RECEPTACLE TYPE		
0 PLC ± 0.3		PRODUCT SPEC 製品規格	SIZE	CAGE CODE	DRAWING NO 番号
1 PLC ± 0.3		APPLICATION SPEC 取付適用規格	A3	00779	C-1674451
2 PLC ± 0.3		WEIGHT	RESTRICTED TO		
3 PLC ± 0.3		RESTRICTED CUSTOMER	SCALE 尺度 2:1		SHEET 3 OF 4
4 PLC ± 0.3			REV B1		
ANGLES ± 3'					
FINISH 仕上					
MATERIAL 材料					

