



Chipsmall Limited consists of a professional team with an average of over 10 year of expertise in the distribution of electronic components. Based in Hongkong, we have already established firm and mutual-benefit business relationships with customers from,Europe,America and south Asia,supplying obsolete and hard-to-find components to meet their specific needs.

With the principle of “Quality Parts,Customers Priority,Honest Operation,and Considerate Service”,our business mainly focus on the distribution of electronic components. Line cards we deal with include Microchip,ALPS,ROHM,Xilinx,Pulse,ON,Everlight and Freescale. Main products comprise IC,Modules,Potentiometer,IC Socket,Relay,Connector.Our parts cover such applications as commercial,industrial, and automotives areas.

We are looking forward to setting up business relationship with you and hope to provide you with the best service and solution. Let us make a better world for our industry!



## Contact us

Tel: +86-755-8981 8866 Fax: +86-755-8427 6832

Email & Skype: info@chipsmall.com Web: www.chipsmall.com

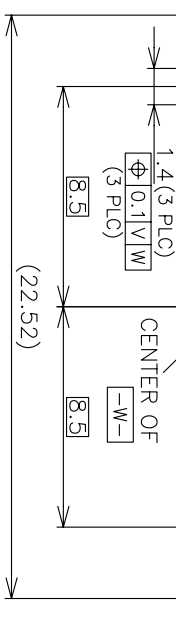
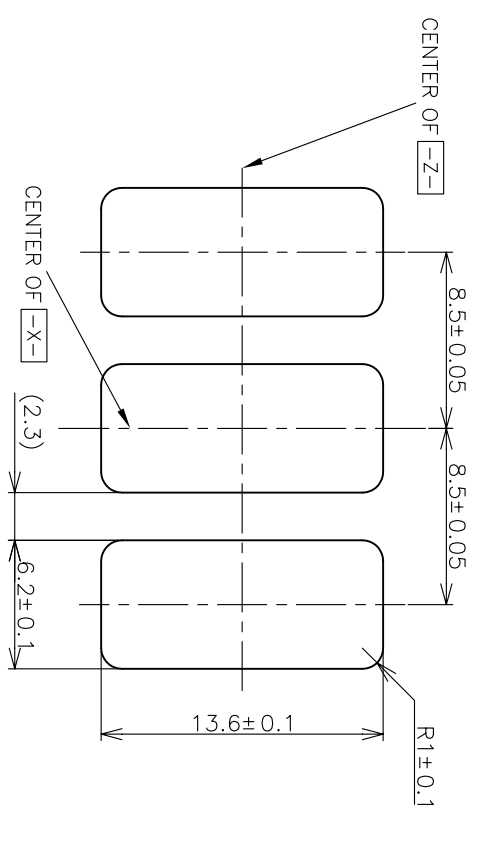
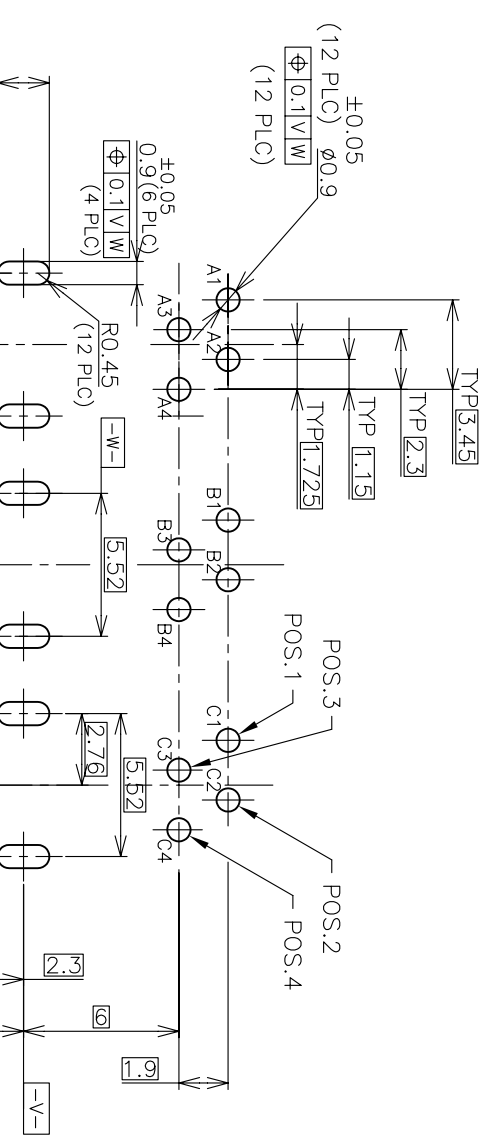
Address: A1208, Overseas Decoration Building, #122 Zhenhua RD., Futian, Shenzhen, China





# APPLICATION PRODUCT: 1674452-3

LOC	DIST	REV	DESCRIPTION	DATE	BY	APP'D
J		P	LTR			
			SEE SHEET 1			



CONNECTOR FRONT SURFACE  
 PATTERN, LAND, VIA HOLE, MOUNT, PROHIBITION AREA.  
 ONLY THE LAND FOR SOLDERING OF FRONT SHELL IS OK.

\*THIS DIMENSIONS ARE NOT CONSIDERATION  
 PANEL TOLERANCE AND PANEL ASSEMBLY TOLERANCE.  
RECOMMENDED PANEL DIMENSION

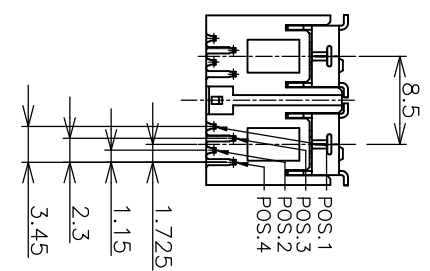
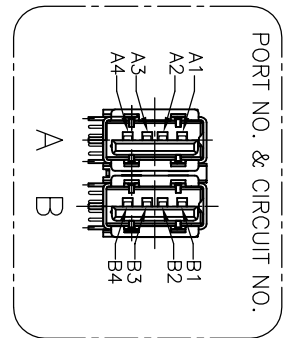
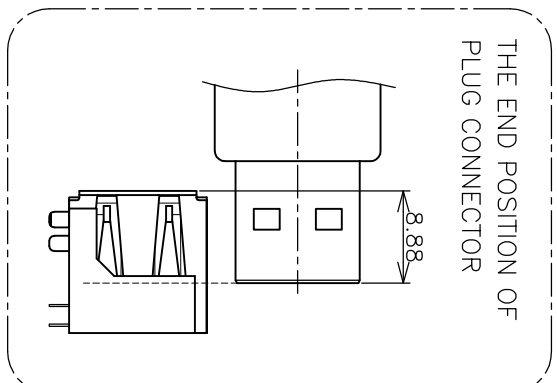
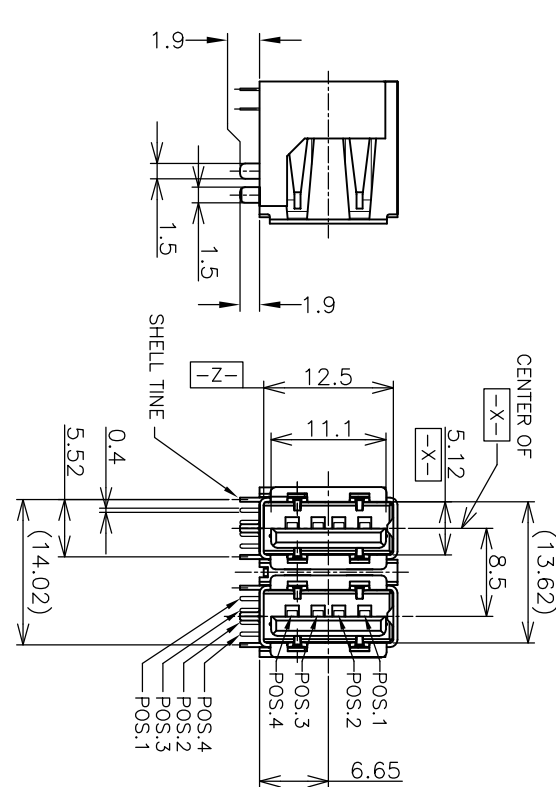
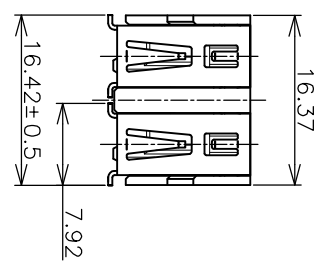
RECOMMENDED LAYOUT OF P.C.B  
 (CONNECTOR MOUNTING SIDE)  
 RECOMMENDED THICKNESS: 1.0~1.6mm

THIS DRAWING IS A CONTROLLED DOCUMENT.

DIMENSIONS: (H#) D (W) (MM)		TOLERANCES UNLESS OTHERWISE SPECIFIED: (H#) (W) (MM)		CHK	DWG	NAME	DATE
0 PLC	± 0.3	0 PLC	± 0.3			<b>tyco</b>	7-7
1 PLC	± 0.3	1 PLC	± 0.3			<b>Electronics</b>	
2 PLC	± 0.3	2 PLC	± 0.3				
3 PLC	± 0.3	3 PLC	± 0.3				
4 PLC	± 0.3	4 PLC	± 0.3				
ANGLES	± 3	ANGLES	± 3				
MATERIAL	AL77	FINISH	AL77				

APVD	PRODUCT SPEC	APPLICATION SPEC	WEIGHT	CUSTOMER DRAWING	SIZE	CAGE CODE	DRAWING NO.	RESTRICTED
	AL: 1# 殊	2.77mm 特殊			A3	00779	1674452	20

SCALE	SHEET	REV
5:1	2 of 4	0



REVISIONS		DATE	BY	APP'D
#	DESCRIPTION			
1	SEE SHEET 1	-	-	-

THIS DRAWING IS A CONTROLLED DOCUMENT.

DIMENSIONS:	TOLERANCES UNLESS OTHERWISE SPECIFIED:
MM	MM
0 PLC	± 0.3
1 PLC	± 0.3
2 PLC	± 0.3
3 PLC	± 0.3
4 PLC	± 0.3
ANGLES	± 3
FINISH	
MATERIAL	

DMN	CHK	AP'D	NAME
			Tyco Electronics
			Kawasaki, Japan

PRODUCT SPEC	ADJ. TYP	SIZE	QAGE CODE	DRAWING NO
		A3	00779	1674452

APPLICATION SPEC	WEIGHT	CUSTOMER DRAWING

1674452-2 : AS SHOWN

