



Chipsmall Limited consists of a professional team with an average of over 10 year of expertise in the distribution of electronic components. Based in Hongkong, we have already established firm and mutual-benefit business relationships with customers from,Europe,America and south Asia,supplying obsolete and hard-to-find components to meet their specific needs.

With the principle of “Quality Parts,Customers Priority,Honest Operation,and Considerate Service”,our business mainly focus on the distribution of electronic components. Line cards we deal with include Microchip,ALPS,ROHM,Xilinx,Pulse,ON,Everlight and Freescale. Main products comprise IC,Modules,Potentiometer,IC Socket,Relay,Connector.Our parts cover such applications as commercial,industrial, and automotives areas.

We are looking forward to setting up business relationship with you and hope to provide you with the best service and solution. Let us make a better world for our industry!



Contact us

Tel: +86-755-8981 8866 Fax: +86-755-8427 6832

Email & Skype: info@chipsmall.com Web: www.chipsmall.com

Address: A1208, Overseas Decoration Building, #122 Zhenhua RD., Futian, Shenzhen, China



4

3

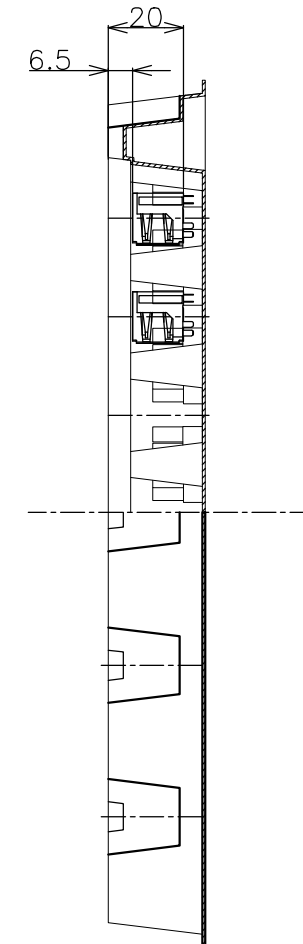
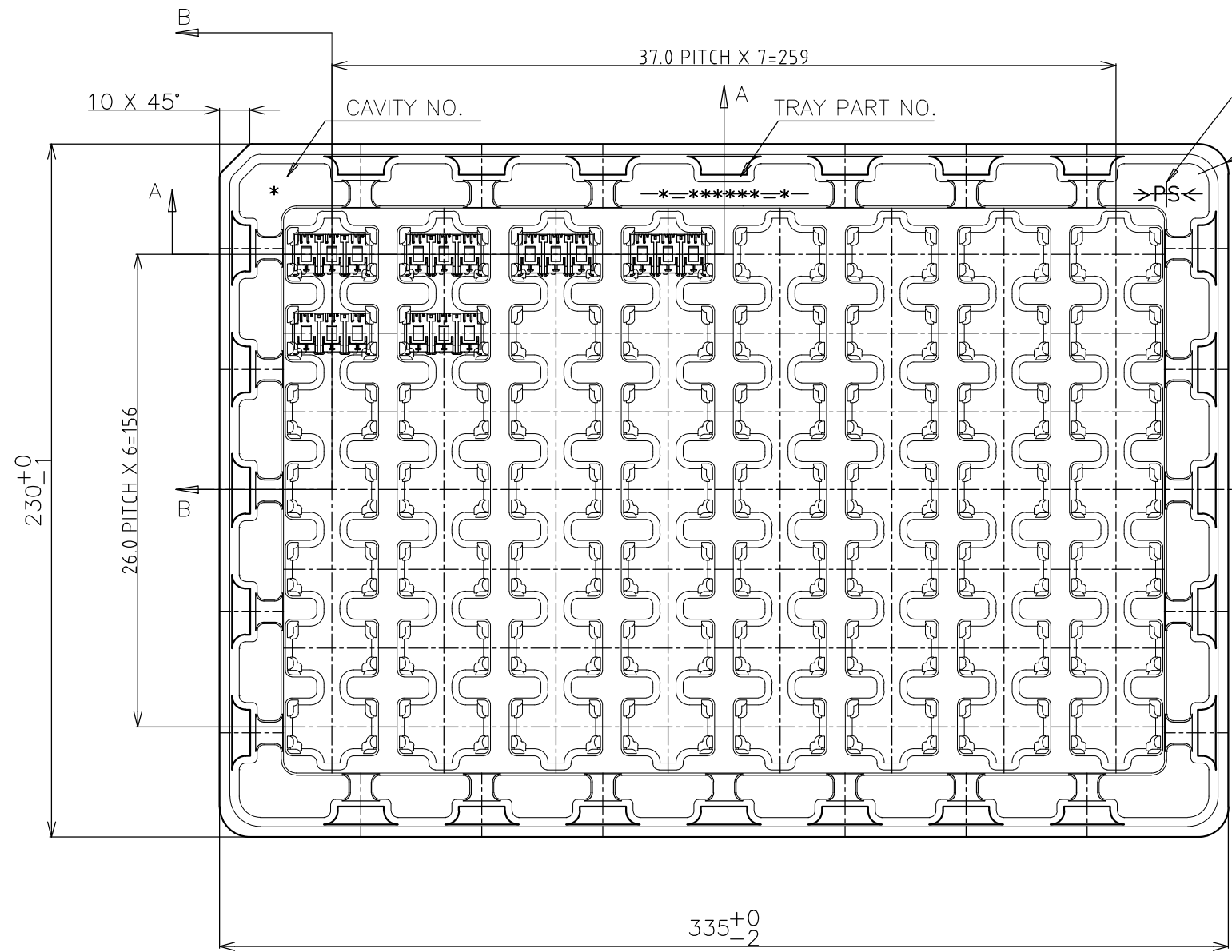
2

1

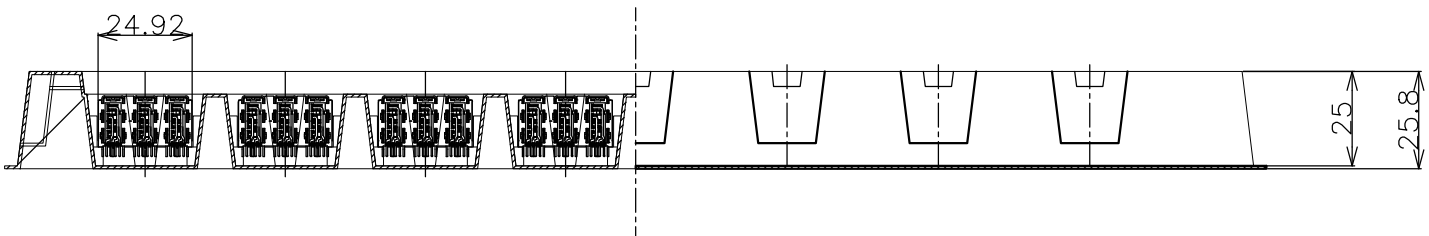
THIS DRAWING IS UNPUBLISHED. RELEASED FOR PUBLICATION

© COPYRIGHT 2004 BY TYCO ELECTRONICS CORPORATION. ALL RIGHTS RESERVED.

LOC J	DIST /	REVISIONS			
P	LTR	DESCRIPTION	DATE	DWN	APVD
	A1	REVISED ECR-15-016523	16NOV15	T.Z	H.W



SECTION B-B



SECTION A-A

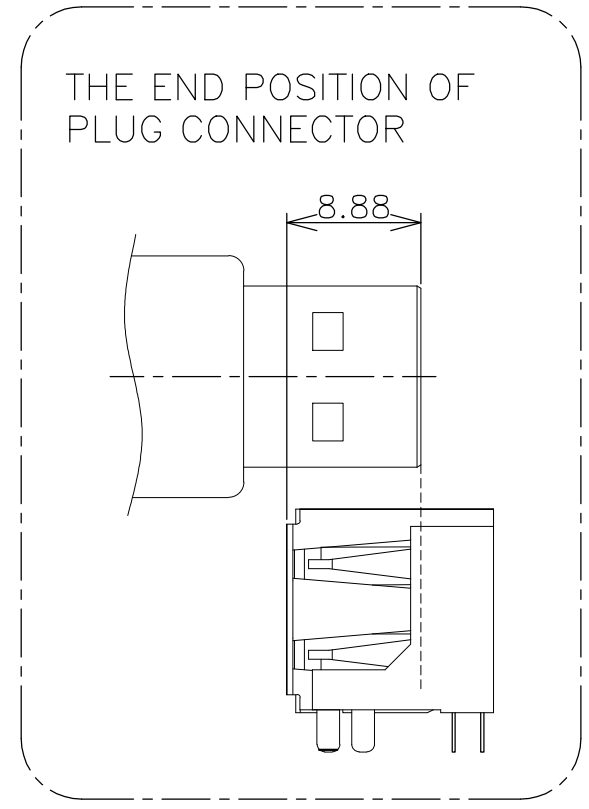
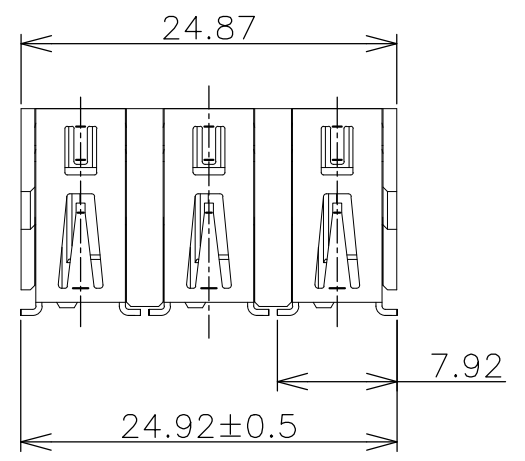
(A)	OBSOLETE	(A)	1674453-3
		FINISH	PART NO.

THIS DRAWING IS A CONTROLLED DOCUMENT.		DWN LEO ZHOU 13DEC04	Tyco Electronics AMP K.K. Kawasaki, Japan	
DIMENSIONS: MM		CHK STEVEN YAO 13DEC04		
TOLERANCES UNLESS OTHERWISE SPECIFIED:		APVD I. ENOMOTO 13DEC04	NAME HARD TRAY ASSY USB CONNECTOR REC 3P	
0 PLC ± 0.3 1 PLC ± 0.3 2 PLC ± 0.3 3 PLC ± 0.3 4 PLC ± 0.3 ANGLES ± 3°		PRODUCT SPEC	SIZE A3	
MATERIAL		APPLICATION SPEC	CAGE CODE 00779	DRAWING NO 1674453
FINISH		WEIGHT	RESTRICTED TO	
(1)		CUSTOMER DRAWING		SCALE 2:1
(2)		SCALE 2:1		SHEET 1 OF 3
		REV A1		

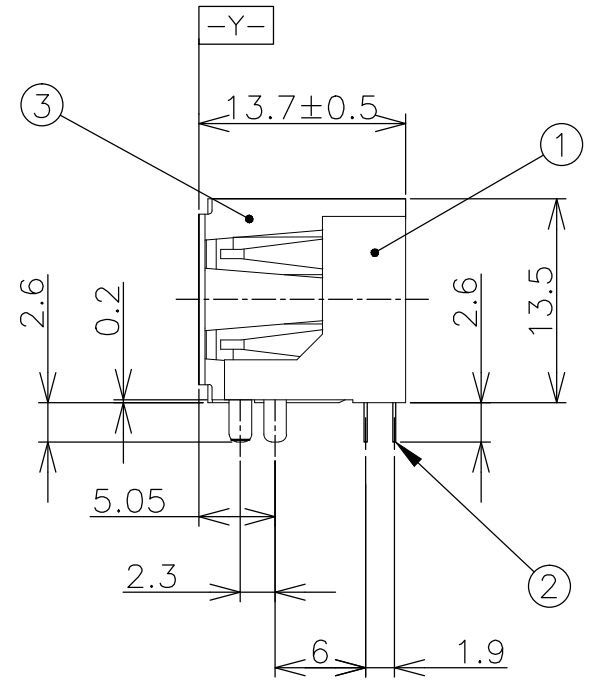
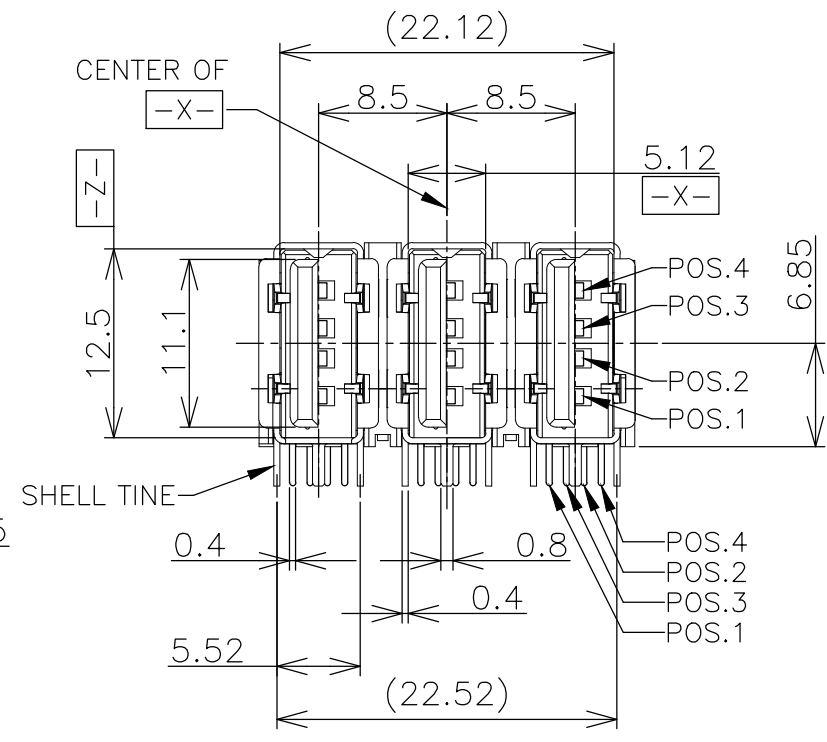
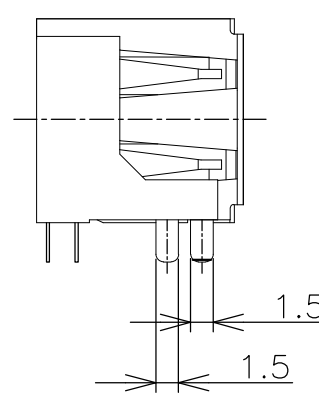
THIS DRAWING IS UNPUBLISHED. RELEASED FOR PUBLICATION
 © COPYRIGHT 2004 BY TYCO ELECTRONICS CORPORATION. ALL RIGHTS RESERVED.

LOC	DIST	REVISIONS			
P	LTR	DESCRIPTION	DATE	DWN	APVD
J	/	SEE SHEET 1			

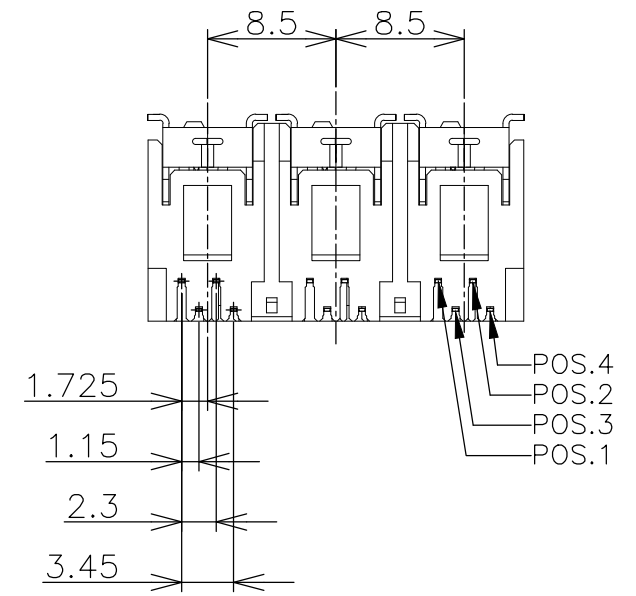
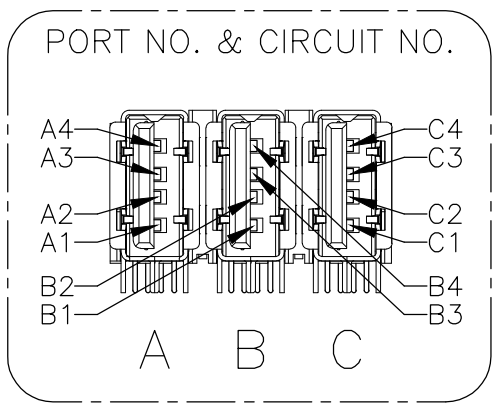
FRONT SHELL	③
CONTACT	②
HOUSING	①
NAME	ITEM No.



THE END POSITION OF PLUG CONNECTOR



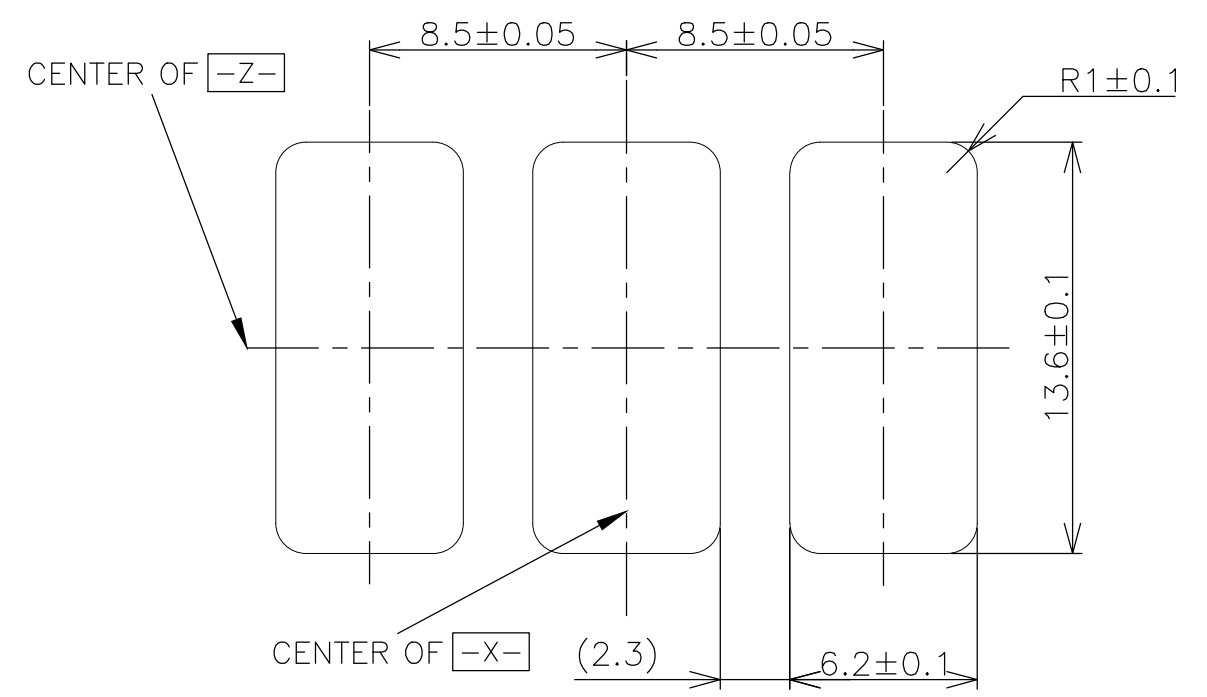
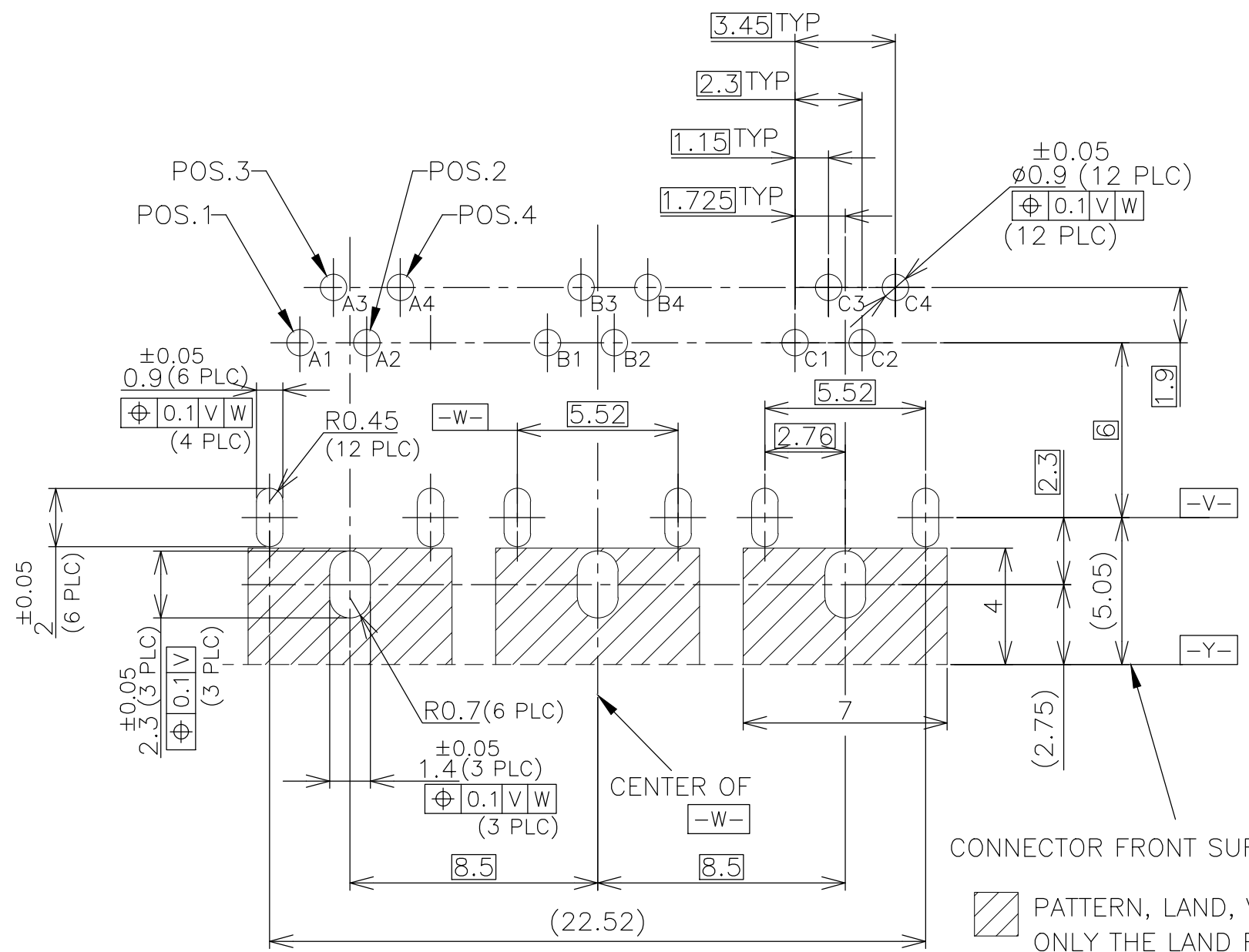
- ① MATERIAL
 HOUSING: THERMO-PLASTICS UL94V-0 NATURAL
 CONTACT: COPPER ALLOY
 FRONT SHELL: COPPER ALLOY
- ② FINISH
 CONTACT: NICKEL UNDER PLATE ALL OVER.
 CONTACT AREA: GOLD PLATE
 TINE AREA: TIN PLATE
 FRONT SHELL: TIN PLATE



THIS DRAWING IS A CONTROLLED DOCUMENT.		DWN	Tyco Electronics AMP K.K. Kawasaki, Japan	
DIMENSIONS: MM		CHK		
TOLERANCES UNLESS OTHERWISE SPECIFIED:		APVD	NAME	
0 PLC ± 0.3		PRODUCT SPEC	HARD TRAY ASSY	
1 PLC ± 0.3		APPLICATION SPEC	USB CONNECTOR	
2 PLC ± 0.3		WEIGHT	REC 3P	
3 PLC ± 0.3		SIZE	CAGE CODE	DRAWING NO
4 PLC ± 0.3		A3	00779	C-1674453
ANGLES ± 3°		RESTRICTED TO		
FINISH		CUSTOMER DRAWING		
		SCALE	SHEET	REV
		2:1	2 OF 3	A1

THIS DRAWING IS UNPUBLISHED. RELEASED FOR PUBLICATION
 © COPYRIGHT 2004 BY TYCO ELECTRONICS CORPORATION. ALL RIGHTS RESERVED.

LOC	DIST	REVISIONS			
P	LTR	DESCRIPTION	DATE	DWN	APVD
J	/	SEE SHEET 1	-	-	-



* THIS DIMENSIONS ARE NOT CONSIDERATION PANEL TOLERANCE AND PANEL ASSEMBLY TOLERANCE.

RECOMMENDED PANEL DIMENSION (SCALE 4:1)

CONNECTOR FRONT SURFACE

PATTERN, LAND, VIA HOLE, MOUNT, PROHIBITION AREA. ONLY THE LAND FOR SOLDERING OF FRONT SHELL IS OK.

RECOMMENDED LAYOUT OF P.C.B. (CONNECTOR MOUNTING SIDE)
 RECOMMENDED THICKNESS: 1.0~1.6mm

THIS DRAWING IS A CONTROLLED DOCUMENT.		DWN	tyco Electronics		Tyco Electronics AMP K.K. Kawasaki, Japan	
DIMENSIONS: MM		CHK			NAME	
TOLERANCES UNLESS OTHERWISE SPECIFIED:		APVD	PRODUCT SPEC		HARD TRAY ASSY USB CONNECTOR REC 3P	
0 PLC ± 0.3		PRODUCT SPEC	APPLICATION SPEC		SIZE	CAGE CODE
1 PLC ± 0.3		APPLICATION SPEC	WEIGHT		DRAWING NO	RESTRICTED TO
2 PLC ± 0.3		WEIGHT	CUSTOMER DRAWING		A3	00779
3 PLC ± 0.3				SCALE	SHEET	OF
4 PLC ± 0.3				5:1	3	3
ANGLES ± 3°				REV	A1	
FINISH				G-1674453		