



Chipsmall Limited consists of a professional team with an average of over 10 year of expertise in the distribution of electronic components. Based in Hongkong, we have already established firm and mutual-benefit business relationships with customers from,Europe,America and south Asia,supplying obsolete and hard-to-find components to meet their specific needs.

With the principle of “Quality Parts,Customers Priority,Honest Operation,and Considerate Service”,our business mainly focus on the distribution of electronic components. Line cards we deal with include Microchip,ALPS,ROHM,Xilinx,Pulse,ON,Everlight and Freescale. Main products comprise IC,Modules,Potentiometer,IC Socket,Relay,Connector.Our parts cover such applications as commercial,industrial, and automotives areas.

We are looking forward to setting up business relationship with you and hope to provide you with the best service and solution. Let us make a better world for our industry!



## Contact us

Tel: +86-755-8981 8866 Fax: +86-755-8427 6832

Email & Skype: info@chipsmall.com Web: www.chipsmall.com

Address: A1208, Overseas Decoration Building, #122 Zhenhua RD., Futian, Shenzhen, China



4

3

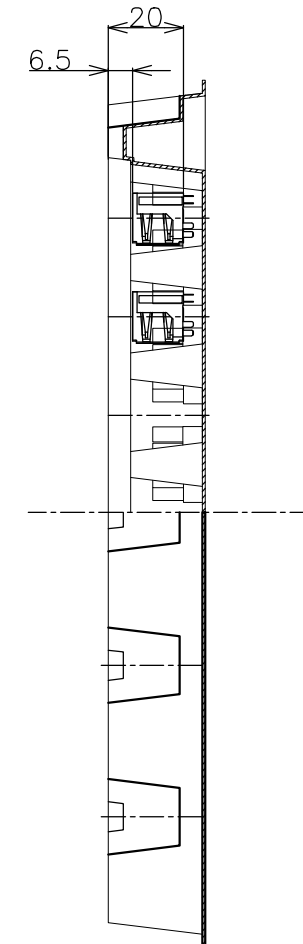
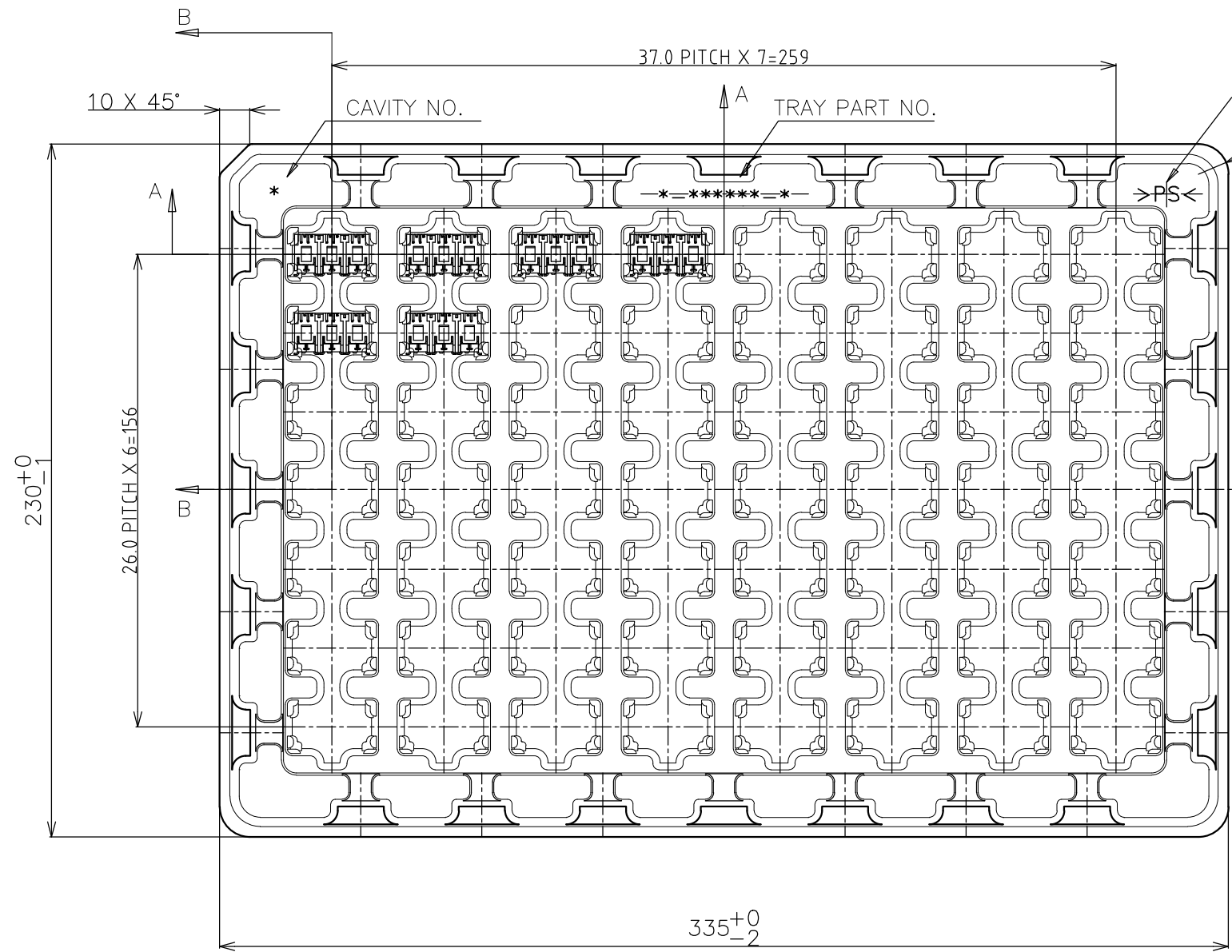
2

1

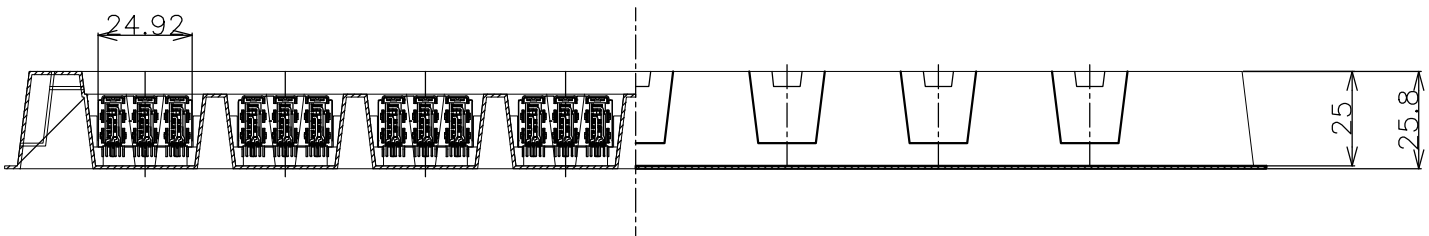
THIS DRAWING IS UNPUBLISHED. RELEASED FOR PUBLICATION

© COPYRIGHT 2004 BY TYCO ELECTRONICS CORPORATION. ALL RIGHTS RESERVED.

LOC	DIST	REVISIONS					
J	/	P	LTR	DESCRIPTION	DATE	DWN	APVD
		A1		REVISED ECR-15-016523	16NOV15	T.Z	H.W



SECTION B-B



SECTION A-A

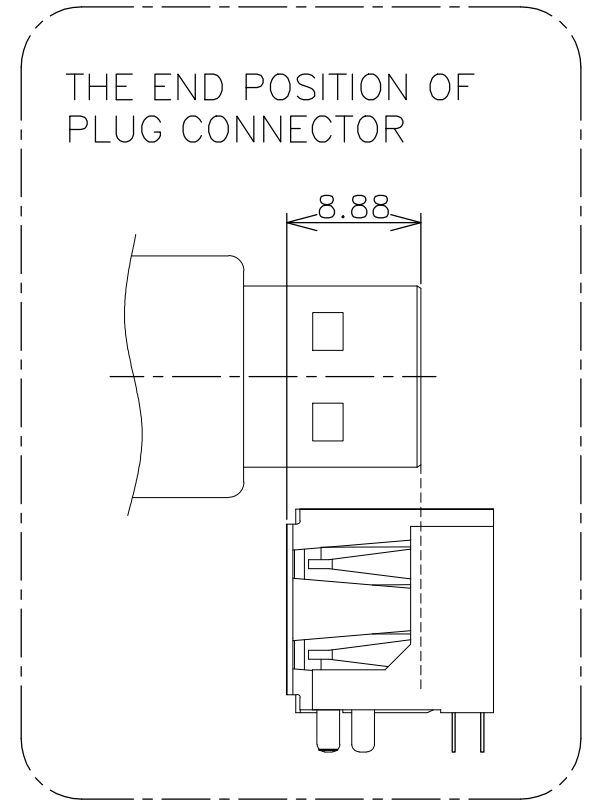
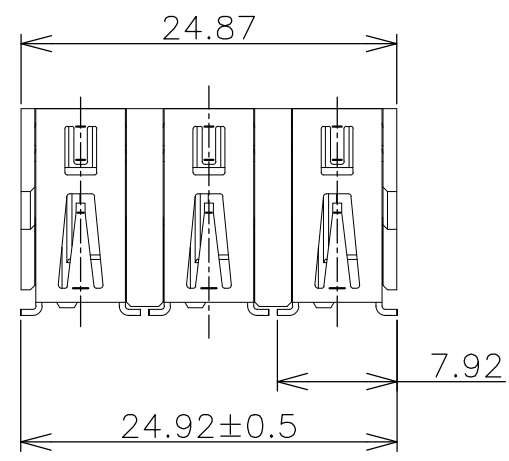
(A)	OBSOLETE	(A)	1674453-3
		FINISH	PART NO.

THIS DRAWING IS A CONTROLLED DOCUMENT.		DWN	LEO ZHOU	13DEC04		Tyco Electronics AMP K.K.			
		CHK	STEVEN YAO	13DEC04		Kawasaki, Japan			
		APVD	I. ENOMOTO	13DEC04		NAME			
		PRODUCT SPEC				HARD TRAY ASSY USB CONNECTOR REC 3P			
DIMENSIONS: MM		TOLERANCES UNLESS OTHERWISE SPECIFIED:			APPLICATION SPEC	SIZE	CAGE CODE	DRAWING NO	RESTRICTED TO
		0 PLC	± 0.3			A3	00779	C-1674453	
		1 PLC	± 0.3						
		2 PLC	± 0.3						
		3 PLC	± 0.3						
		4 PLC	± 0.3						
		ANGLES	± 3'						
MATERIAL		FINISH			WEIGHT	SCALE		SHEET	REV
(1)		(2)			CUSTOMER DRAWING	2:1		1 OF 3	A1

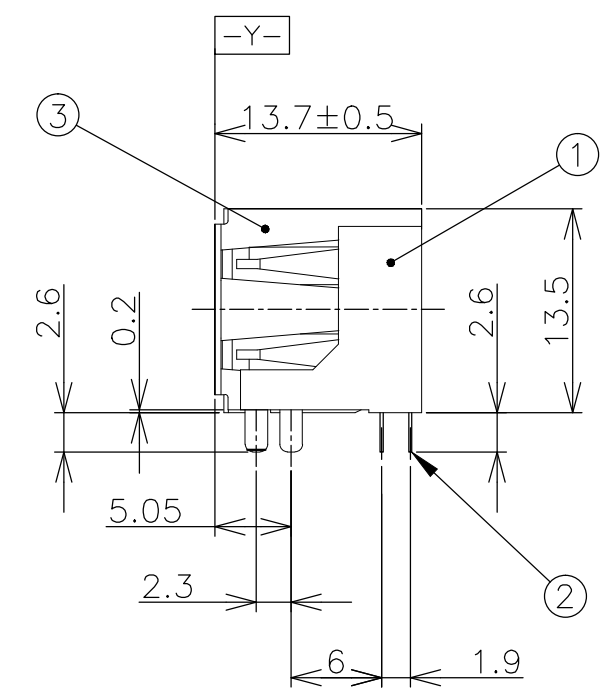
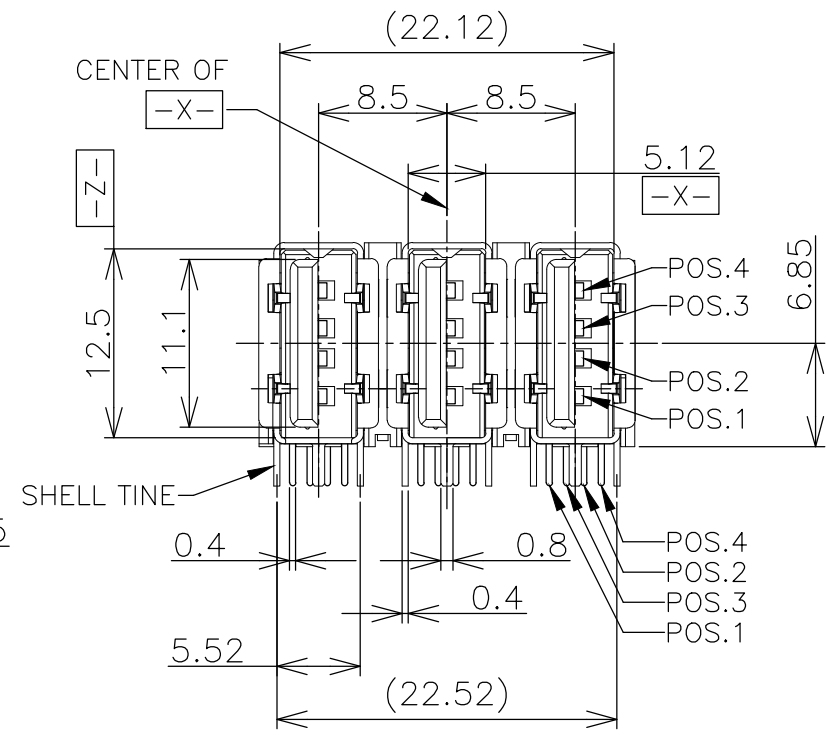
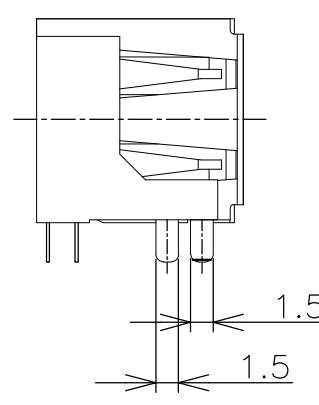
THIS DRAWING IS UNPUBLISHED. RELEASED FOR PUBLICATION  
 © COPYRIGHT 2004 BY TYCO ELECTRONICS CORPORATION. ALL RIGHTS RESERVED.

LOC	DIST	REVISIONS			
P	LTR	DESCRIPTION	DATE	DWN	APVD
J	/	SEE SHEET 1			

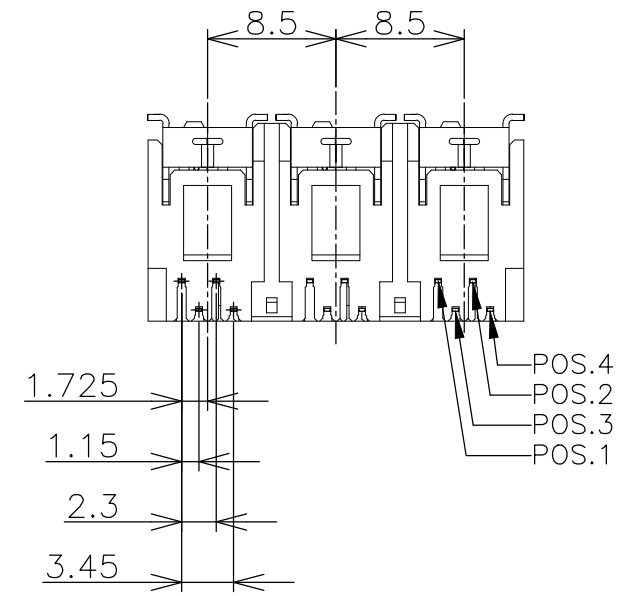
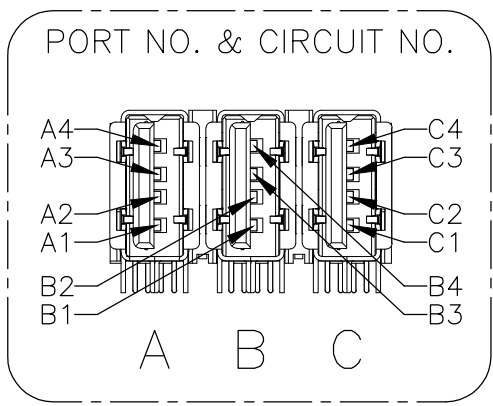
FRONT SHELL	③
CONTACT	②
HOUSING	①
NAME	ITEM No.



THE END POSITION OF PLUG CONNECTOR



- ① MATERIAL  
 HOUSING: THERMO-PLASTICS UL94V-0 NATURAL  
 CONTACT: COPPER ALLOY  
 FRONT SHELL: COPPER ALLOY
- ② FINISH  
 CONTACT: NICKEL UNDER PLATE ALL OVER.  
 CONTACT AREA: GOLD PLATE  
 TINE AREA: TIN PLATE  
 FRONT SHELL: TIN PLATE



THIS DRAWING IS A CONTROLLED DOCUMENT.

DIMENSIONS:	TOLERANCES UNLESS OTHERWISE SPECIFIED:
MM	
	0 PLC ± 0.3
	1 PLC ± 0.3
	2 PLC ± 0.3
	3 PLC ± 0.3
	4 PLC ± 0.3
	ANGLES ± 3°

MATERIAL FINISH

DWN	
CHK	
APVD	
PRODUCT SPEC	
APPLICATION SPEC	
WEIGHT	

**tyco Electronics** Tyco Electronics AMP K.K. Kawasaki, Japan

NAME: HARD TRAY ASSY USB CONNECTOR REC 3P

SIZE	CAGE CODE	DRAWING NO	RESTRICTED TO
A3	00779	①-1674453	

CUSTOMER DRAWING SCALE 2:1 SHEET 2 OF 3 REV A1

