



Chipsmall Limited consists of a professional team with an average of over 10 year of expertise in the distribution of electronic components. Based in Hongkong, we have already established firm and mutual-benefit business relationships with customers from,Europe,America and south Asia,supplying obsolete and hard-to-find components to meet their specific needs.

With the principle of “Quality Parts,Customers Priority,Honest Operation,and Considerate Service”,our business mainly focus on the distribution of electronic components. Line cards we deal with include Microchip,ALPS,ROHM,Xilinx,Pulse,ON,Everlight and Freescale. Main products comprise IC,Modules,Potentiometer,IC Socket,Relay,Connector.Our parts cover such applications as commercial,industrial, and automotives areas.

We are looking forward to setting up business relationship with you and hope to provide you with the best service and solution. Let us make a better world for our industry!



## Contact us

Tel: +86-755-8981 8866 Fax: +86-755-8427 6832

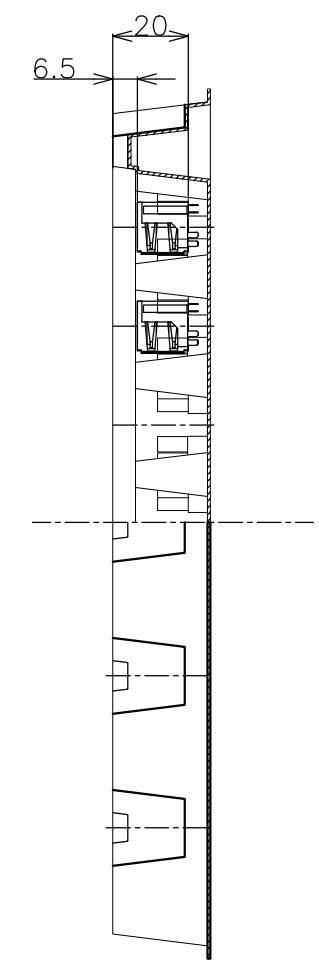
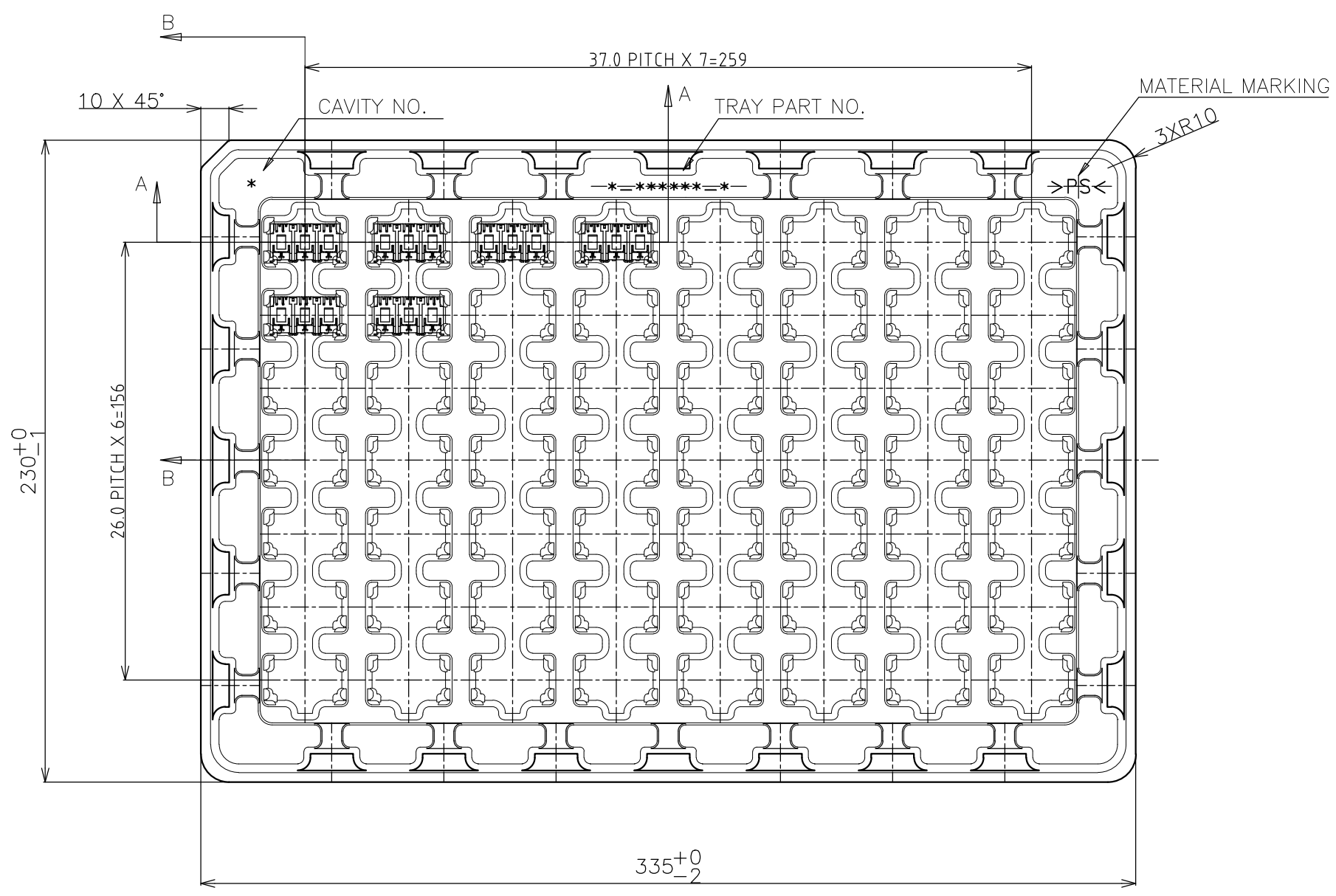
Email & Skype: info@chipsmall.com Web: www.chipsmall.com

Address: A1208, Overseas Decoration Building, #122 Zhenhua RD., Futian, Shenzhen, China

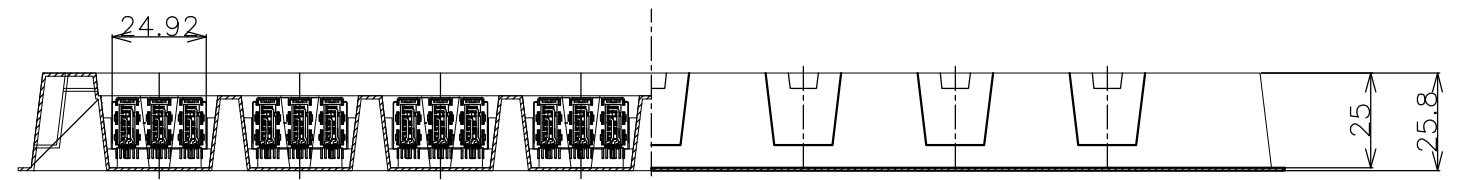


THIS DRAWING IS UNPUBLISHED. RELEASED FOR PUBLICATION  
 © COPYRIGHT BY TYCO ELECTRONICS CORPORATION. ALL RIGHTS RESERVED.

LOC ES	DIST /	REVISIONS		
P	LTR	DESCRIPTION	DATE	DWN APVD
	P	REVISED PER ECR-15-016523	16NOV2015	T.Z H.W



SECTION B-B



SECTION A-A

Ⓟ OBSOLETE	△	1674456=3
	FINISH	PART NO.

THIS DRAWING IS A CONTROLLED DOCUMENT.		DWN B.WONG 30NOV05	<b>tyco</b> Electronics Tyco Electronics Corporation Shanghai, P.R.China, 200233	
DIMENSIONS: MM		CHK G.ZHANG 30NOV05		
TOLERANCES UNLESS OTHERWISE SPECIFIED:		APVD S.YAO 30NOV05	NAME	
0 PLC ± 0.3		PRODUCT SPEC	HARD TRAY ASSY USB CONNECTOR REC 3P	
1 PLC ± 0.3		APPLICATION SPEC	SIZE	CAGE CODE
2 PLC ± 0.3		WEIGHT	A3	00779
3 PLC ± 0.3			DRAWING NO	RESTRICTED TO
4 PLC ± 0.3			C-1674456	
ANGLES ± 3°				
MATERIAL				
△1	△2			
CUSTOMER DRAWING			SCALE	SHEET
			2:1	1 OF 3
			REV	P

THIS DRAWING IS UNPUBLISHED. RELEASED FOR PUBLICATION

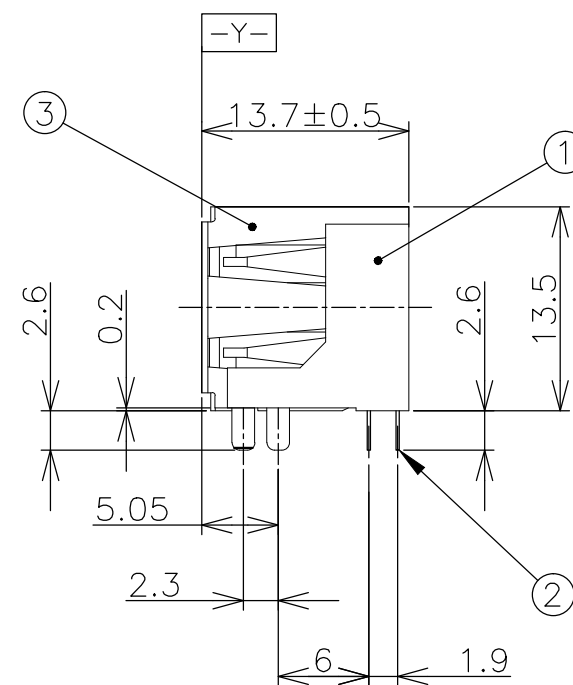
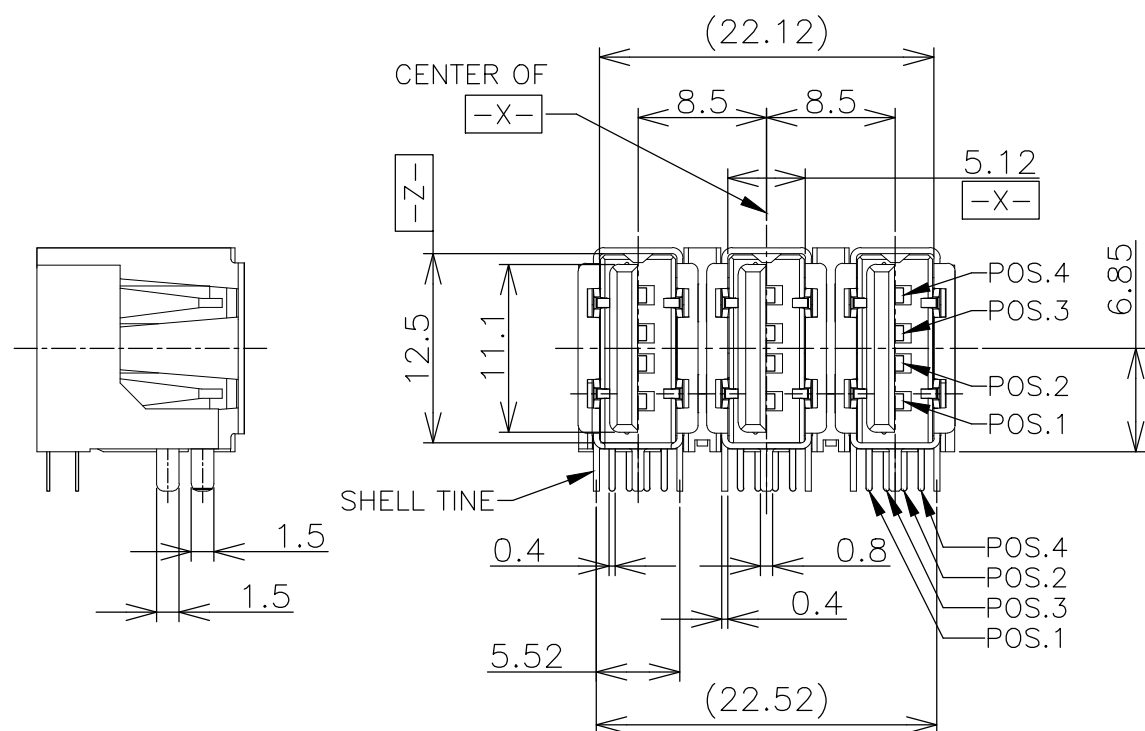
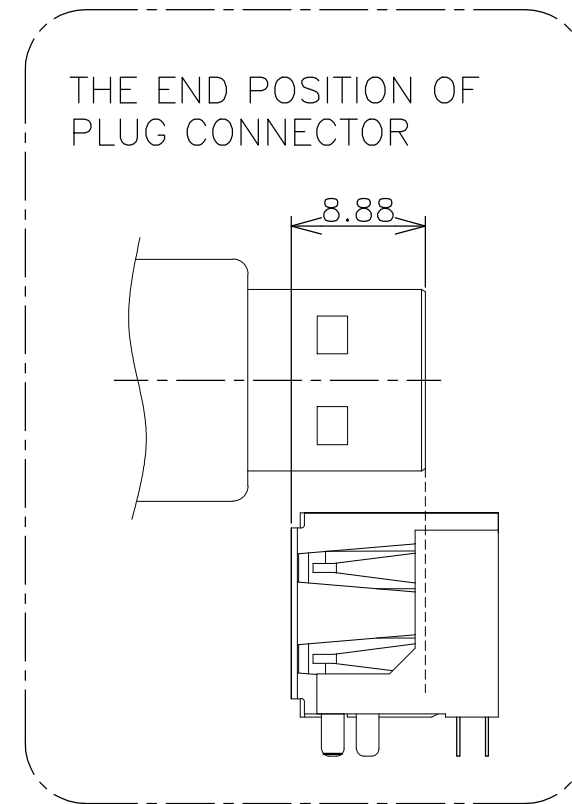
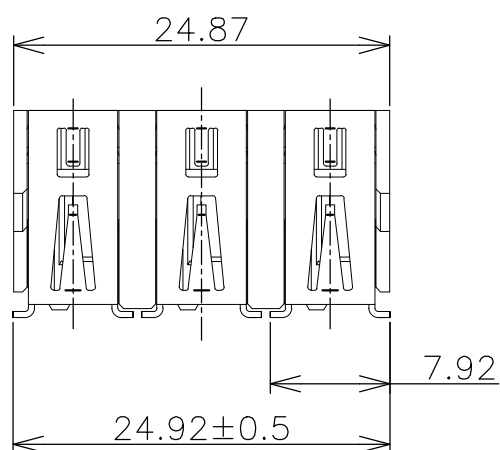
© COPYRIGHT BY TYCO ELECTRONICS CORPORATION. ALL RIGHTS RESERVED.

LOC ES DIST

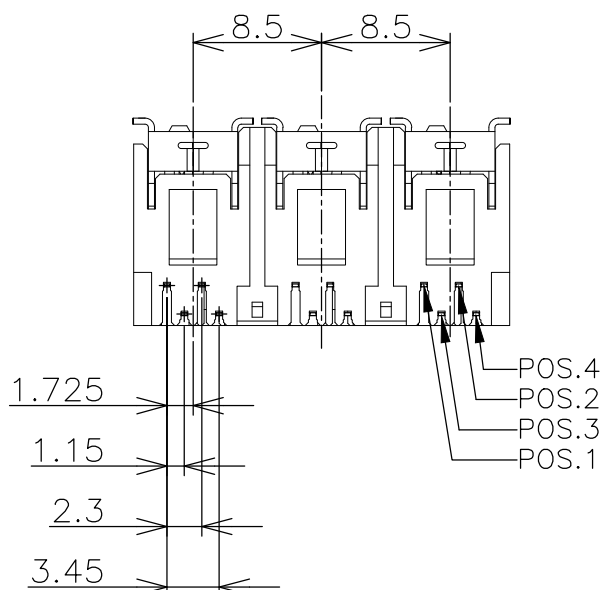
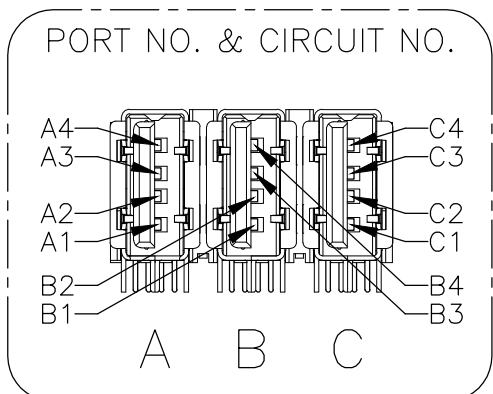
REVISIONS

P	LTR	DESCRIPTION	DATE	DWN	APVD
		SEE SHEET 1			

FRONT SHELL	③
CONTACT	②
HOUSING	①
NAME	ITEM No.



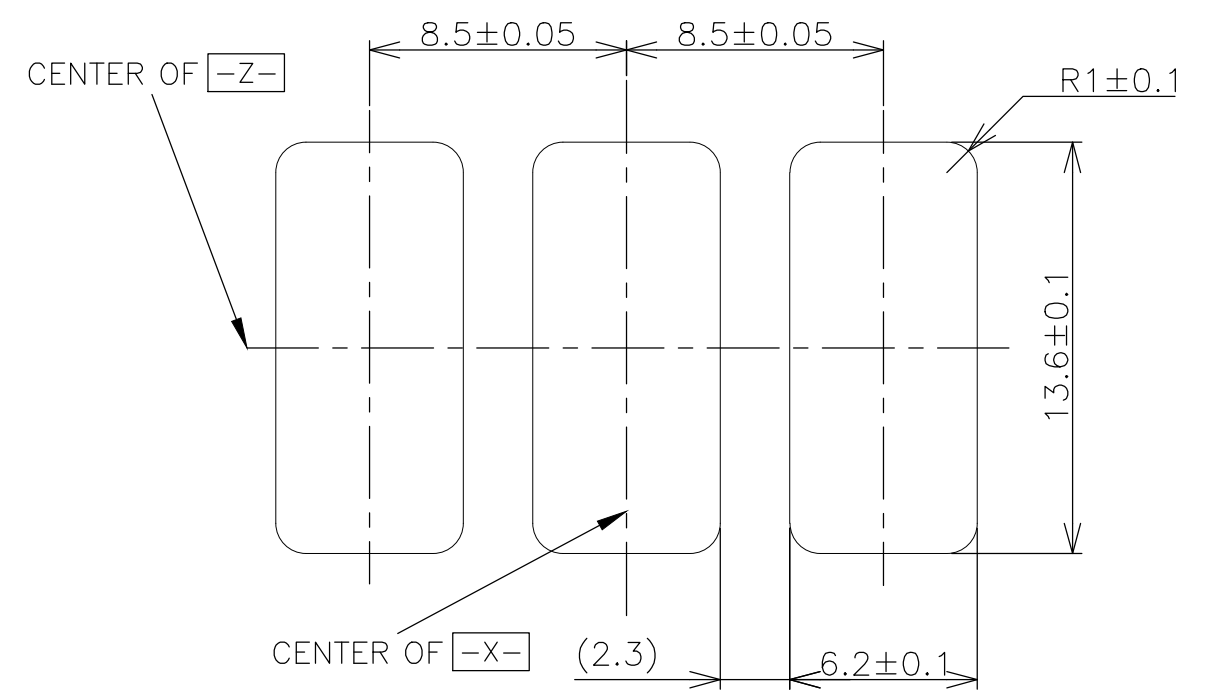
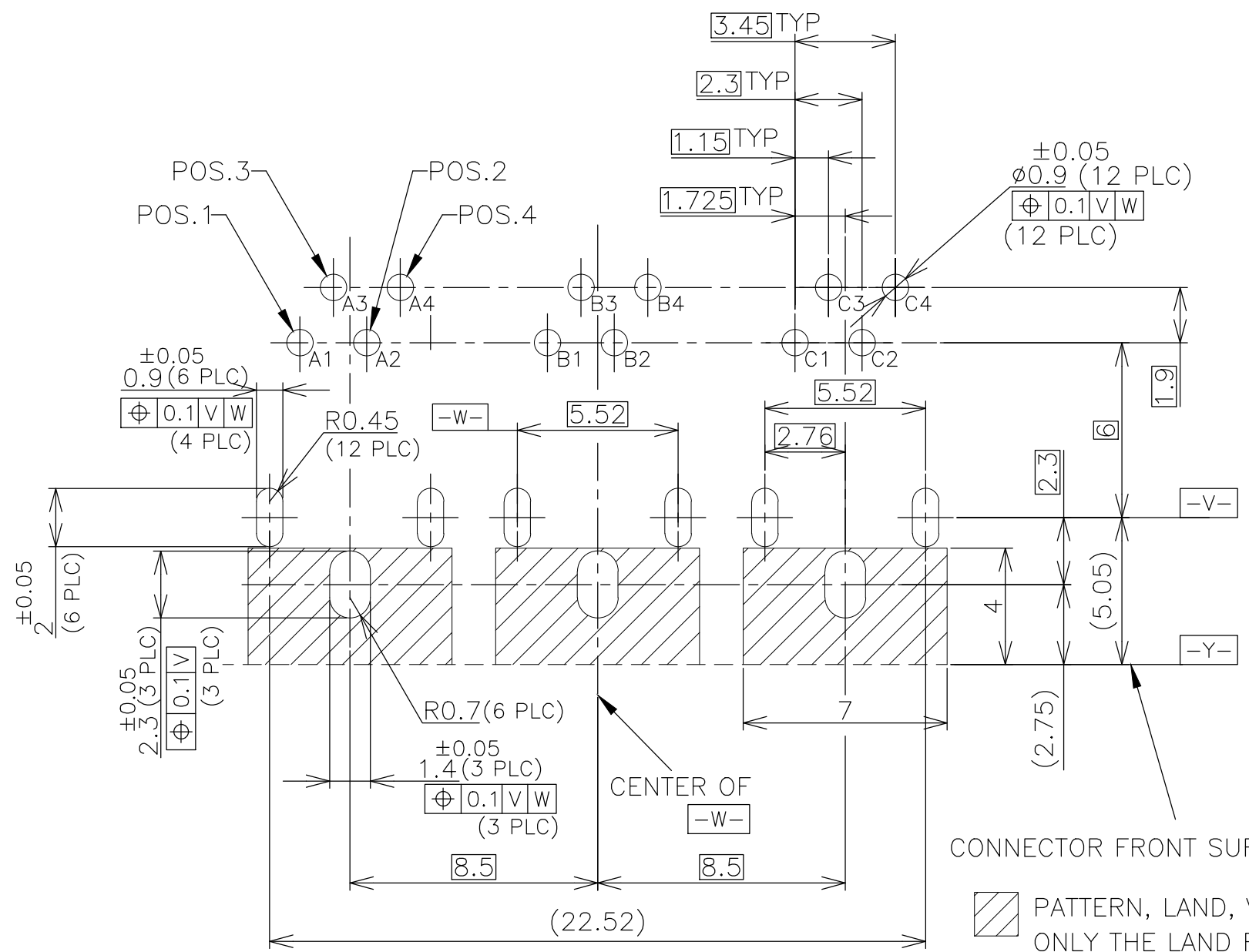
- ① MATERIAL  
HOUSING: THERMO-PLASTICS UL94V-0 BLACK  
CONTACT: COPPER ALLOY  
FRONT SHELL: COPPER ALLOY
- ② FINISH  
CONTACT: NICKEL UNDER PLATE ALL OVER.  
CONTACT AREA: GOLD PLATE  
TINE AREA: TIN PLATING  
FRONT SHELL: TIN PLATE



THIS DRAWING IS A CONTROLLED DOCUMENT.		DWN		Tyco Electronics Corporation Shanghai, P.R.China, 200233	
DIMENSIONS: MM		CHK			
TOLERANCES UNLESS OTHERWISE SPECIFIED:		APVD		NAME	
0 PLC ± 0.3		PRODUCT SPEC		HARD TRAY ASSY	
1 PLC ± 0.3		APPLICATION SPEC		USB CONNECTOR	
2 PLC ± 0.3		WEIGHT		REC 3P	
3 PLC ± 0.3		SIZE		CAGE CODE	
4 PLC ± 0.3		A3		00779	
ANGLES ± 3°		DRAWING NO		C-1674456	
FINISH		RESTRICTED TO		SCALE 2:1	
MATERIAL		CUSTOMER DRAWING		SHEET 2 OF 3	
				REV P	

THIS DRAWING IS UNPUBLISHED. RELEASED FOR PUBLICATION - F .  
 © COPYRIGHT - BY TYCO ELECTRONICS CORPORATION. ALL RIGHTS RESERVED.

LOC		DIST		REVISIONS				
P	LTR	DESCRIPTION	DATE	DWN	APVD			
-	-	SEE SHEET 1	-	-	-			



\* THIS DIMENSIONS ARE NOT CONSIDERATION PANEL TOLERANCE AND PANEL ASSEMBLY TOLERANCE.

RECOMMENDED LAYOUT OF P.C.B (CONNECTOR MOUNTING SIDE)  
 RECOMMENDED THICKNESS: 1.0~1.6mm

THIS DRAWING IS A CONTROLLED DOCUMENT.

DIMENSIONS:	TOLERANCES UNLESS OTHERWISE SPECIFIED:
MM	
0 PLC	± 0.3
1 PLC	± 0.3
2 PLC	± 0.3
3 PLC	± 0.3
4 PLC	± 0.3
ANGLES	± 3°

MATERIAL FINISH

DWN
CHK
APVD
PRODUCT SPEC
APPLICATION SPEC
WEIGHT

<b>tyco</b> Electronics		Tyco Electronics Corporation Shanghai, P.R.China, 200233	
NAME		HARD TRAY ASSY USB CONNECTOR REC 3P	
SIZE	CAGE CODE	DRAWING NO	RESTRICTED TO
A3	00779	C-1674456	

CUSTOMER DRAWING SCALE 5:1 SHEET 3 OF 3 REV P