



Chipsmall Limited consists of a professional team with an average of over 10 year of expertise in the distribution of electronic components. Based in Hongkong, we have already established firm and mutual-benefit business relationships with customers from,Europe,America and south Asia,supplying obsolete and hard-to-find components to meet their specific needs.

With the principle of "Quality Parts,Customers Priority,Honest Operation,and Considerate Service",our business mainly focus on the distribution of electronic components. Line cards we deal with include Microchip,ALPS,ROHM,Xilinx,Pulse,ON,Everlight and Freescale. Main products comprise IC,Modules,Potentiometer,IC Socket,Relay,Connector.Our parts cover such applications as commercial,industrial, and automotives areas.

We are looking forward to setting up business relationship with you and hope to provide you with the best service and solution. Let us make a better world for our industry!



## Contact us

Tel: +86-755-8981 8866 Fax: +86-755-8427 6832

Email & Skype: info@chipsmall.com Web: www.chipsmall.com

Address: A1208, Overseas Decoration Building, #122 Zhenhua RD., Futian, Shenzhen, China



4

3

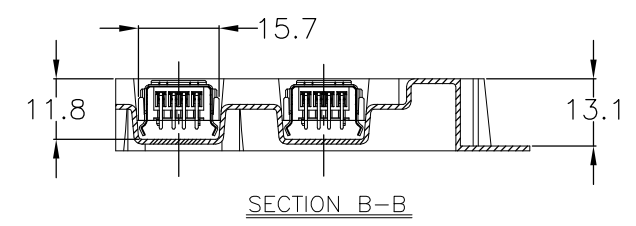
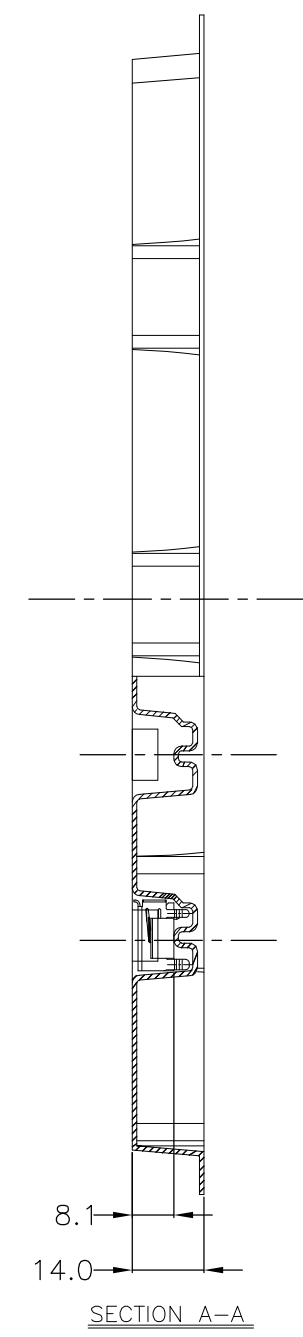
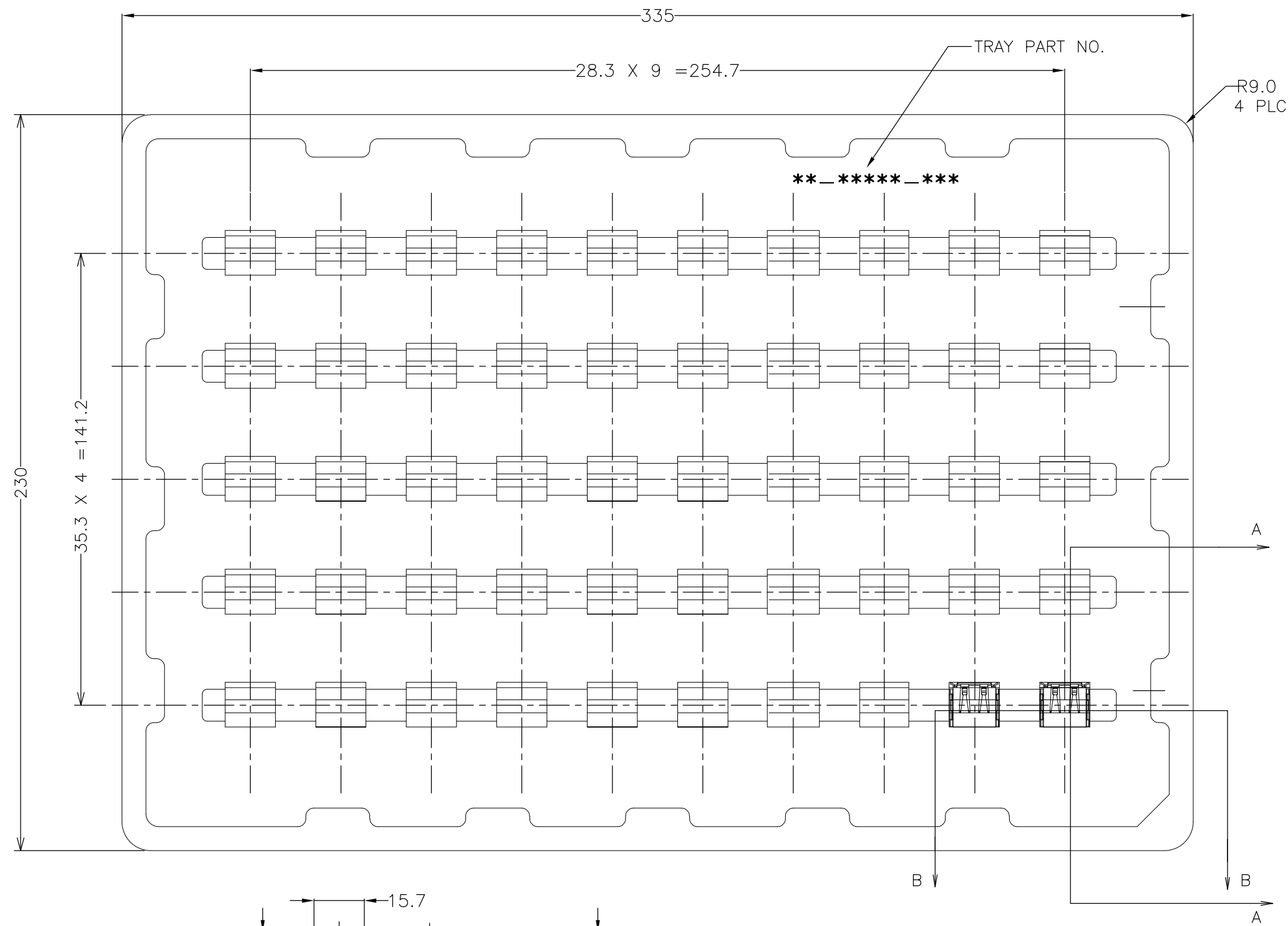
2

1

THIS DRAWING IS UNPUBLISHED. RELEASED FOR PUBLICATION  
 © COPYRIGHT - BY TYCO ELECTRONICS CORPORATION. ALL RIGHTS RESERVED.

LOC	DIST	REVISIONS					
ES	-	P	LTR	DESCRIPTION	DATE	DWN	APVD
			A1	PRELIMINARY	15FEB2011	F.C	S.Y

PRELIMINARY



PART NUMBER	STATUS
1674459-4	PRELIMINARY

THIS DRAWING IS A CONTROLLED DOCUMENT.		DWN	AMOS ZHU	28NOV08	Tyco Electronics Corporation Shanghai, P.R.China, 200233			
DIMENSIONS: mm		CHK	MARTIN LI	28NOV08				
TOLERANCES UNLESS OTHERWISE SPECIFIED:		APVD	STEVEN YAO	28NOV08				
0 PLC ± 0.30 1 PLC ± 0.30 2 PLC ± - 3 PLC ± - 4 PLC ± - ANGLES ± 2°		NAME		TRAY REC. ASS'Y R/A DIP HIGH DURABILITY TYPE USB CONNECTOR				
MATERIAL		PRODUCT SPEC		108-60053	SIZE	CAGE CODE	DRAWING NO	RESTRICTED TO
FINISH		APPLICATION SPEC		-	A3	00779	C-1674459	
		WEIGHT		-	SCALE		1:1	SHEET
		CUSTOMER DRAWING				1 OF 3		REV
								A1

4

3

2

1

THIS DRAWING IS UNPUBLISHED.

RELEASED FOR PUBLICATION

---

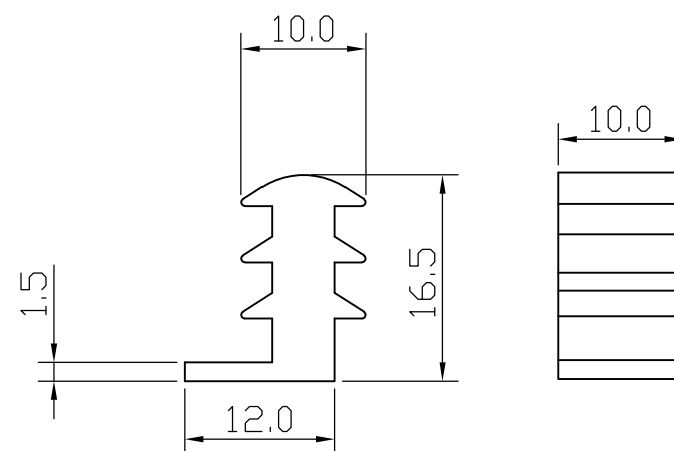
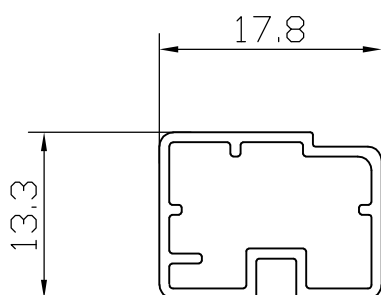
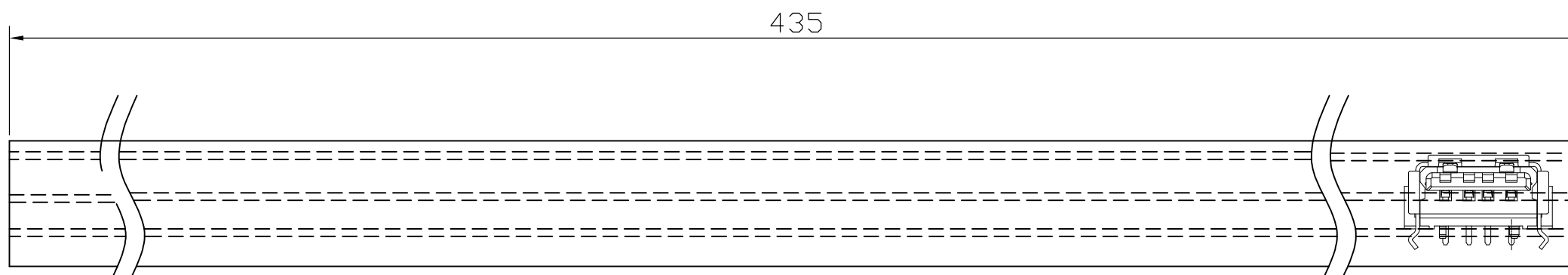
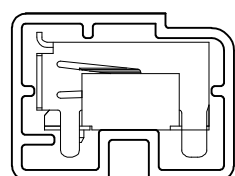
LOC  
ES

DIST  
—

REVISIONS

© COPYRIGHT - BY TYCO ELECTRONICS CORPORATION. ALL RIGHTS RESERVED.

P	LTR	DESCRIPTION	DATE	DWN	APVD
	—	SEE SHEET 1	—	—	—



THIS DRAWING IS A CONTROLLED DOCUMENT.

DWN AMOS ZHU 28NOV08

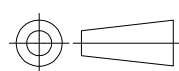
CHK MARTIN LI 28NOV08

APVD STEVEN YAO 28NOV08

**Tyco Electronics** Tyco Electronics Corporation  
Shanghai, P.R.China, 200233

DIMENSIONS:  
mm

TOLERANCES UNLESS OTHERWISE SPECIFIED:



- 0 PLC ± 1.0
- 1 PLC ± 1.0
- 2 PLC ± -
- 3 PLC ± -
- 4 PLC ± -
- ANGLES ± 2'

PRODUCT SPEC

APPLICATION SPEC

WEIGHT

NAME  
TRAY REC. ASS'Y R/A DIP  
HIGH DURABILITY TYPE USB CONNECTOR

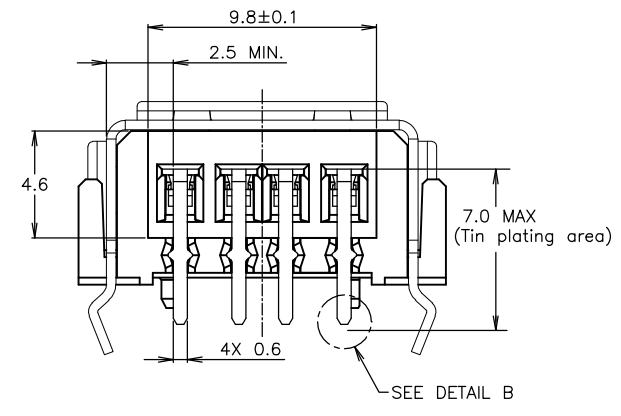
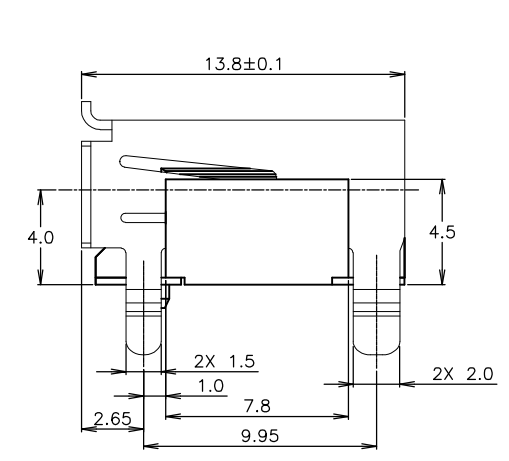
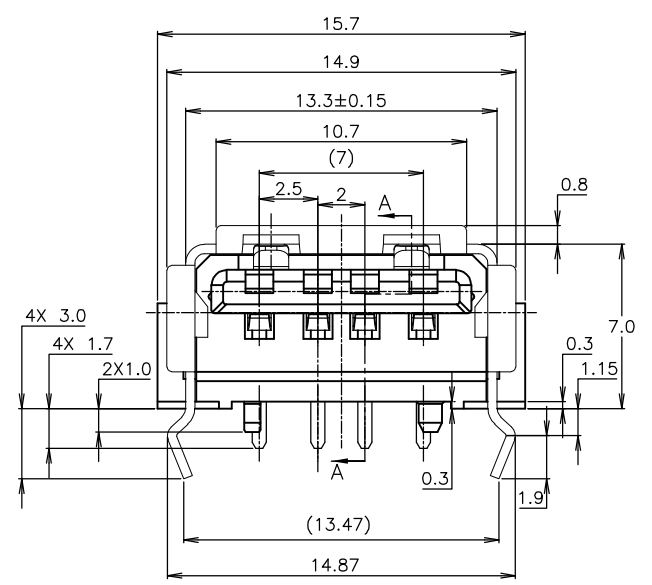
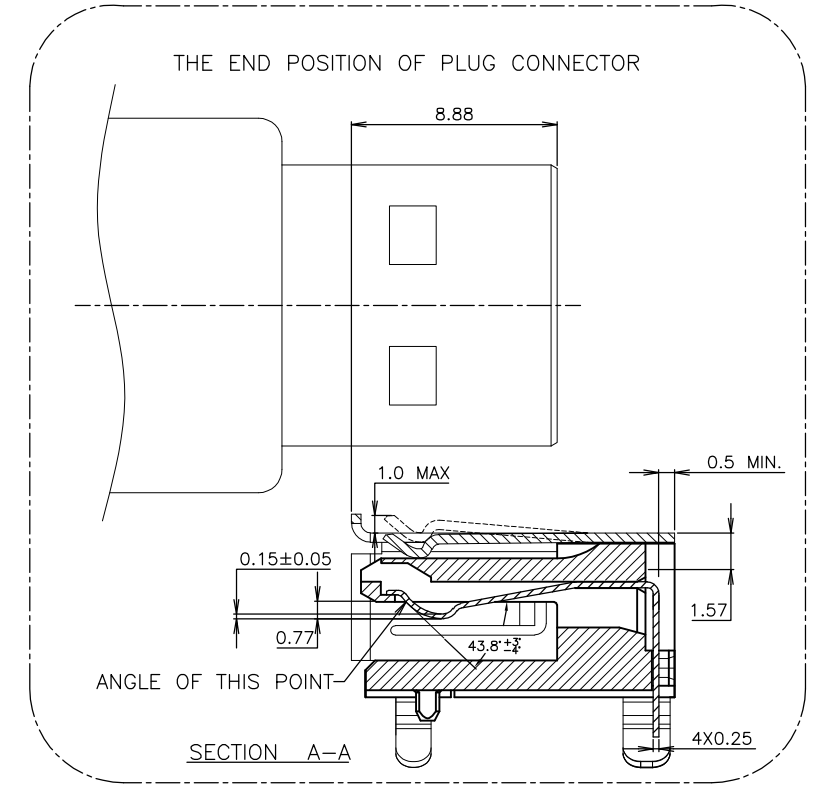
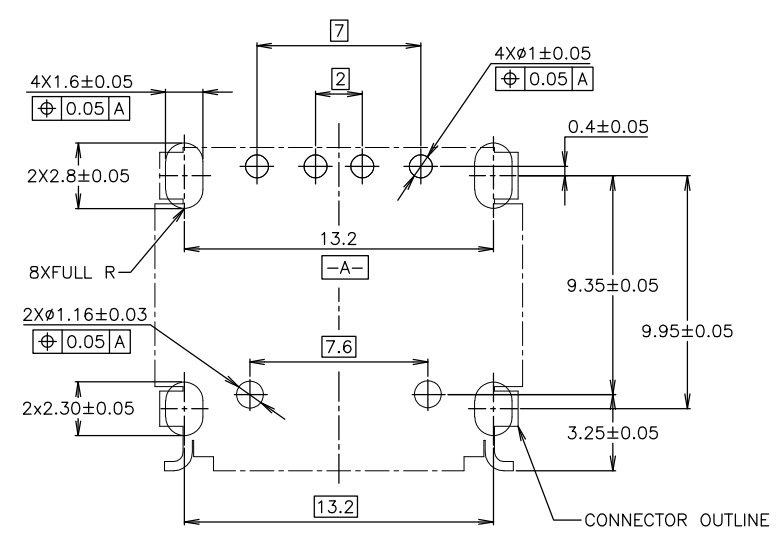
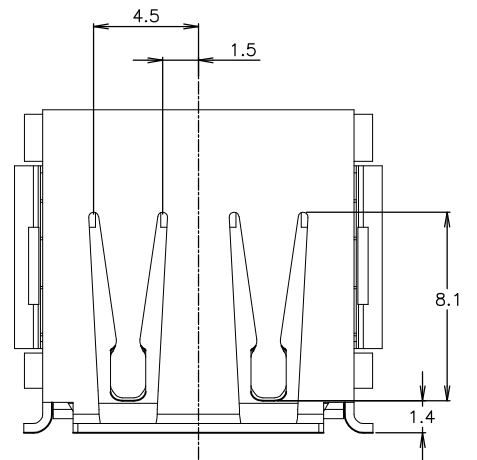
SIZE	CAGE CODE	DRAWING NO	RESTRICTED TO
A3	00779	C-1674459	

PART NUMBER	STATUS
2-1674459-4	PRELIMINARY

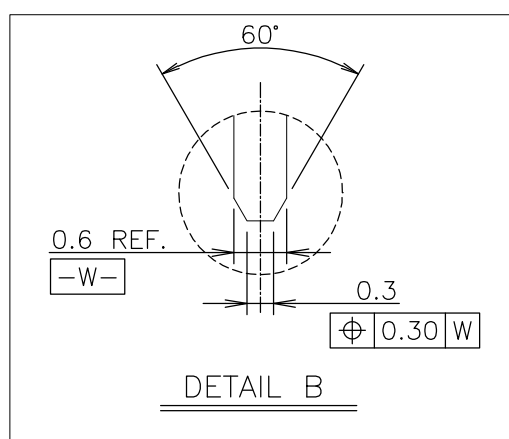
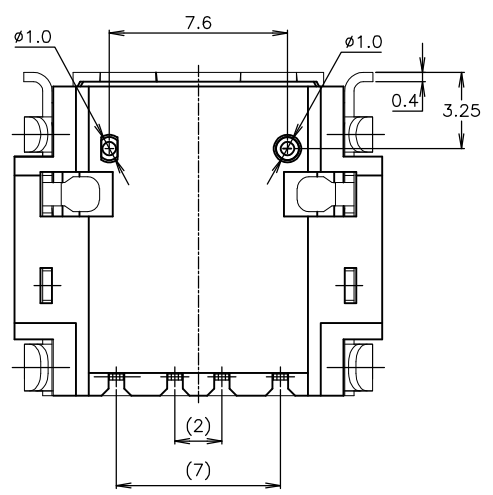
CUSTOMER DRAWING SCALE 1:1 SHEET 2 OF 3 REV A1

THIS DRAWING IS UNPUBLISHED. RELEASED FOR PUBLICATION  
 © COPYRIGHT BY TYCO ELECTRONICS CORPORATION. ALL RIGHTS RESERVED.

LOC	DIST	REVISIONS			
P	LTR	DESCRIPTION	DATE	DWN	APVD
ES	—	SEE SHEET 1	—	—	—



NOTES  
 1. MATERIAL & FINISH  
 CONTACT: COPPER ALLOY  
 Au PL. AT CONTACT AREA OVER Ni PL.  
 TIN PL. AT TINE AREA OVER Ni PL.  
 HOUSING: LCP, UL94V-0.  
 COLOR: NATURAL  
 SHELL: COPPER ALLOY, TIN PL.  
 2. RECOMMENDED P.C.B THICKNESS 1.00±0.05 mm.



PART NUMBER	STATUS
1674459-4	PRELIMINARY
2-1674459-4	PRELIMINARY

THIS DRAWING IS A CONTROLLED DOCUMENT.		DWN AMOS ZHU 28NOV08	Tyco Electronics Corporation Shanghai, P.R.China, 200233	
DIMENSIONS: mm		CHK MARTIN LI 28NOV08		
TOLERANCES UNLESS OTHERWISE SPECIFIED:		APVD STEVEN YAO 28NOV08	NAME	
0 PLC ± 0.30	MATERIAL FINISH WEIGHT —	PRODUCT SPEC 108-60053 APPLICATION SPEC —		
1 PLC ± 0.30		SIZE A3 CAGE CODE 00779 DRAWING NO C-1674459 RESTRICTED TO		
2 PLC ± —		CUSTOMER DRAWING SCALE 1:1 SHEET 3 OF 3 REV A1		
3 PLC ± —				
4 PLC ± —				
ANGLES ± 2°				