



Chipsmall Limited consists of a professional team with an average of over 10 year of expertise in the distribution of electronic components. Based in Hongkong, we have already established firm and mutual-benefit business relationships with customers from,Europe,America and south Asia,supplying obsolete and hard-to-find components to meet their specific needs.

With the principle of “Quality Parts,Customers Priority,Honest Operation,and Considerate Service”,our business mainly focus on the distribution of electronic components. Line cards we deal with include Microchip,ALPS,ROHM,Xilinx,Pulse,ON,Everlight and Freescale. Main products comprise IC,Modules,Potentiometer,IC Socket,Relay,Connector.Our parts cover such applications as commercial,industrial, and automotives areas.

We are looking forward to setting up business relationship with you and hope to provide you with the best service and solution. Let us make a better world for our industry!



Contact us

Tel: +86-755-8981 8866 Fax: +86-755-8427 6832

Email & Skype: info@chipsmall.com Web: www.chipsmall.com

Address: A1208, Overseas Decoration Building, #122 Zhenhua RD., Futian, Shenzhen, China



4

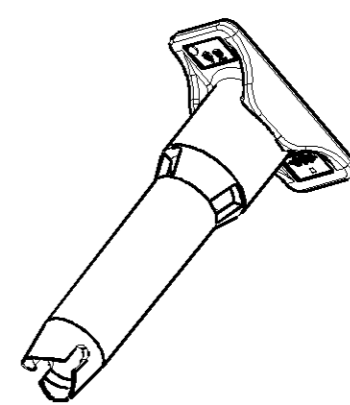
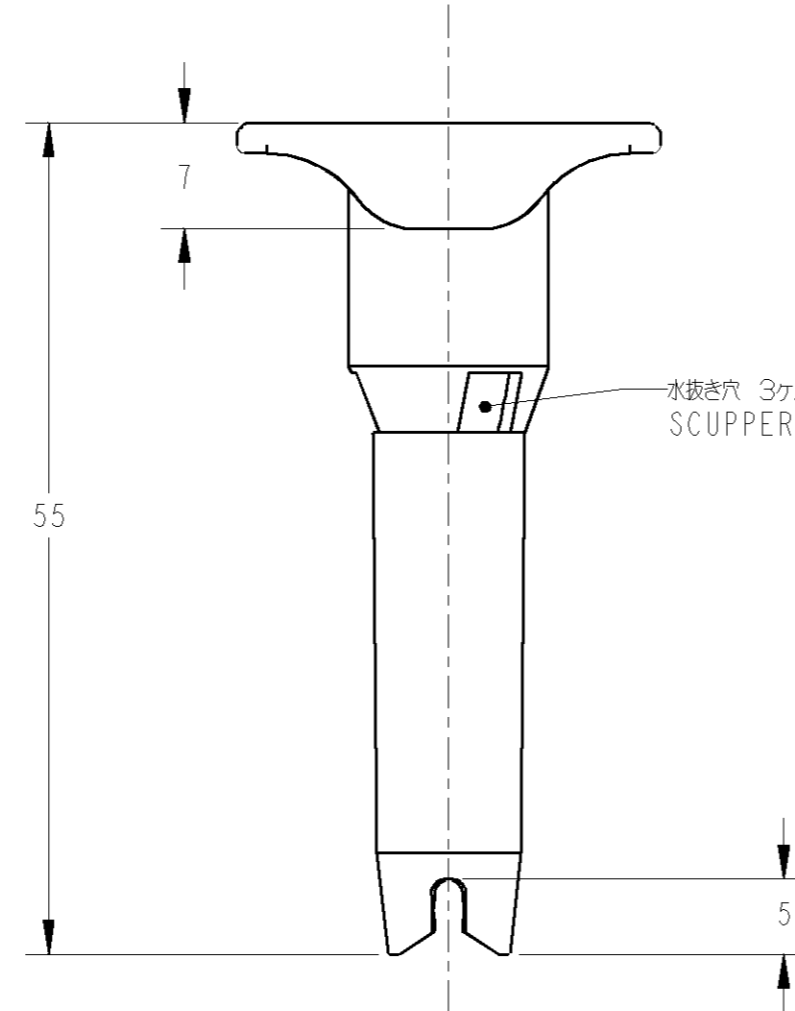
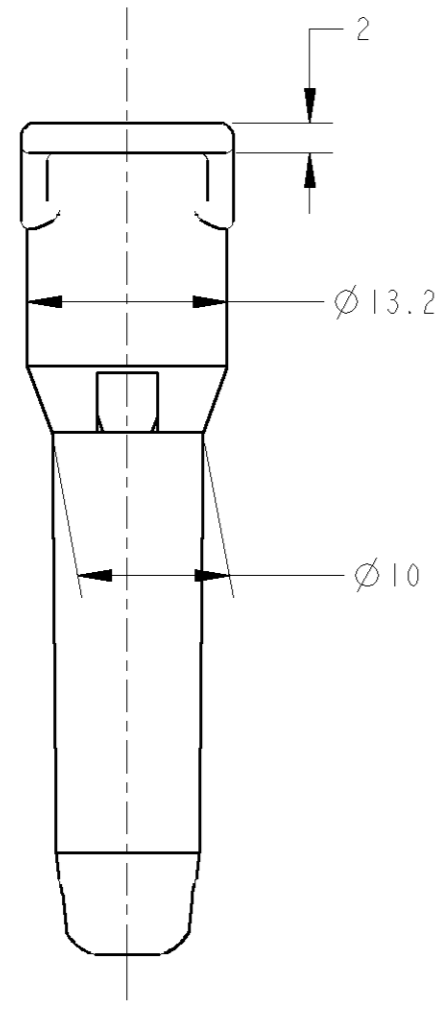
3

2

1

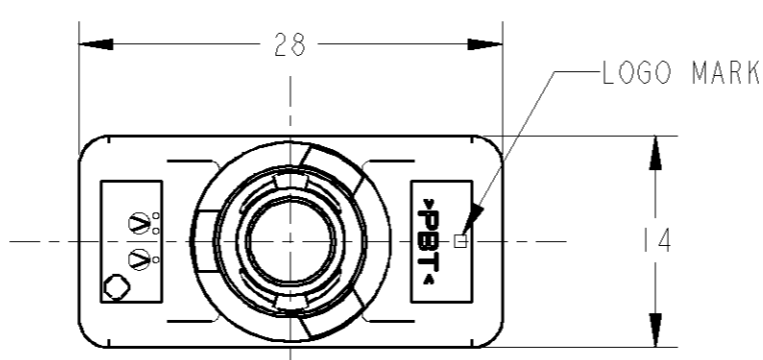
THIS DRAWING IS UNPUBLISHED. RELEASED FOR PUBLICATION 20
 © COPYRIGHT 20 BY TYCO ELECTRONICS CORPORATION. ALL RIGHTS RESERVED.

LOC	DIST	REVISIONS						
		P	LTR	DESCRIPTION	ECN	DATE	DWN	APVD
J	-		O	RELEASED	FJA0-0412-03	12NOV03	YS	YF
			A	REVISED	ECR-05-010723	07DEC05	SS	YF
			B	REVISED	ECR-10-007503	23APR10	TS	KB



SCALE 1:1

1674823-1; AS SHOWN
 1674823-1; 本図



- 1. THE APPLICATION CONTACT AND WIRE SEAL
 CONTACT: 962954, 962956
 WIRE SEAL: 963243, 963244, 963245
- 2. THE APPLICATION MATING CONTACT: ISO 6550-4.

- 1. 適用端子及びWIRE SEAL
 端子: 962954, 962956
 WIRE SEAL: 963243, 963244, 963245
- 2. 相手側適用端子規格: ISO 6550-4

THIS DRAWING IS A CONTROLLED DOCUMENT FOR TYCO ELECTRONICS CORPORATION IT IS SUBJECT TO CHANGE AND THE CONTROLLING ENGINEERING ORGANIZATION SHOULD BE CONTACTED FOR THE LATEST REVISION.		DWN Y. SAKURAI 12-Nov-03 CHK E. TAKIZAWA 12-Nov-03 APVD Y. FUJIWALA 12-Nov-03		Tyco Electronics Corporation Kawasaki, Japan	
DIMENSIONS: 単位: 概 mm		TOLERANCES UNLESS OTHERWISE SPECIFIED: 一般公差 0-PLC ± 1-PLC ±0.3 2-PLC ±0.10 3-PLC ±0.001 4-PLC ±0.0001 ANGLES ±3'00"		NAME 名称 DIESEL GLOW PLUG I POSITION HOUSING	
MATERIAL 材料 PBT FINISH 仕上 BLACK		PRODUCT SPEC 108-5908 APPLICATION SPEC 取付適用規格		SIZE A3 CAGE CODE 00779 DRAWING NO. 番号 C=1674823	
WEIGHT 3.7g		CUSTOMER DRAWING		RESTRICTED TO SCALE 尺度 2:1 SHEET 1 OF 1 REV B	