



Chipsmall Limited consists of a professional team with an average of over 10 year of expertise in the distribution of electronic components. Based in Hongkong, we have already established firm and mutual-benefit business relationships with customers from,Europe,America and south Asia,supplying obsolete and hard-to-find components to meet their specific needs.

With the principle of "Quality Parts,Customers Priority,Honest Operation,and Considerate Service",our business mainly focus on the distribution of electronic components. Line cards we deal with include Microchip,ALPS,ROHM,Xilinx,Pulse,ON,Everlight and Freescale. Main products comprise IC,Modules,Potentiometer,IC Socket,Relay,Connector.Our parts cover such applications as commercial,industrial, and automotives areas.

We are looking forward to setting up business relationship with you and hope to provide you with the best service and solution. Let us make a better world for our industry!



Contact us

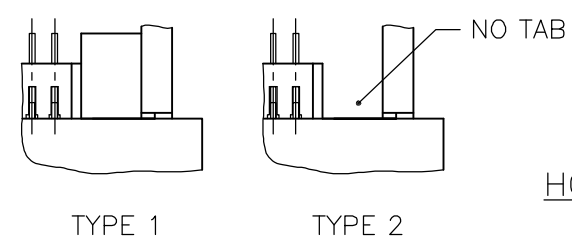
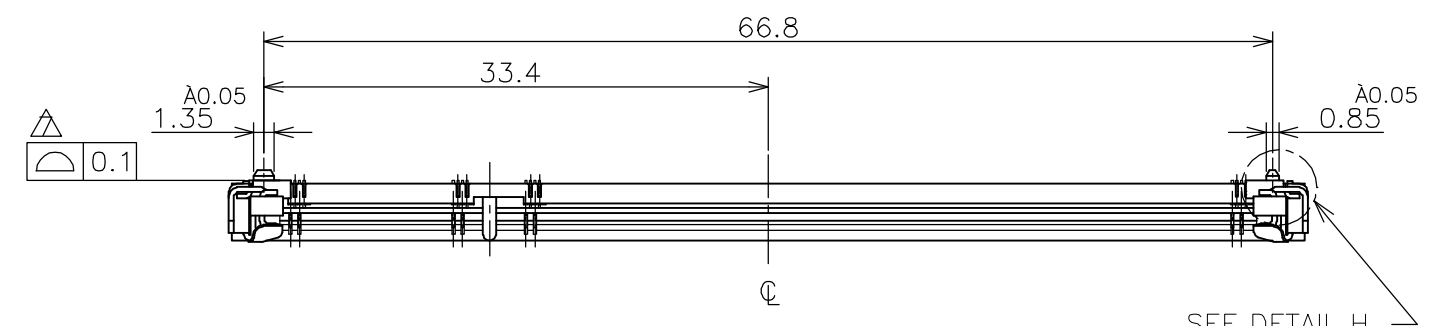
Tel: +86-755-8981 8866 Fax: +86-755-8427 6832

Email & Skype: info@chipsmall.com Web: www.chipsmall.com

Address: A1208, Overseas Decoration Building, #122 Zhenhua RD., Futian, Shenzhen, China



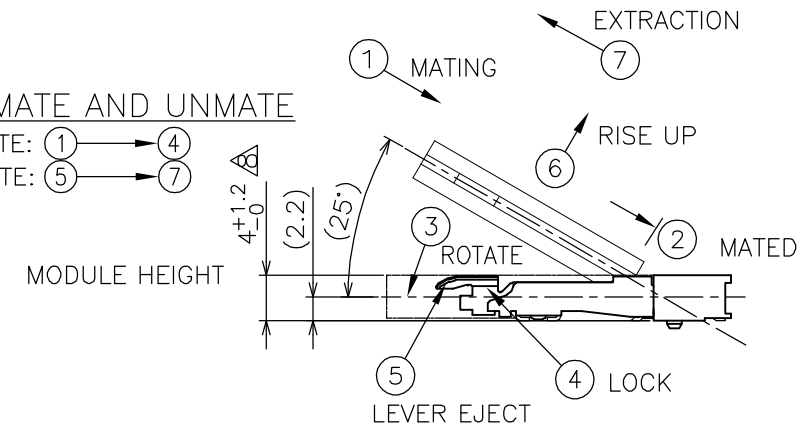
LOC		DIST		REVISIONS					
J				P	LTR	DESCRIPTION	DATE	DWN	APVD
					E	REVISED (ECR-06-024642)	17OCT06	S.Y	S.Y



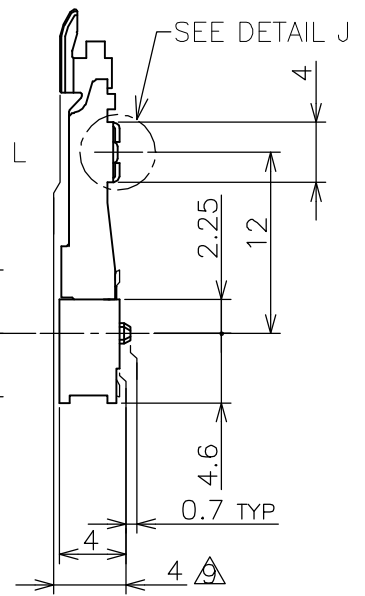
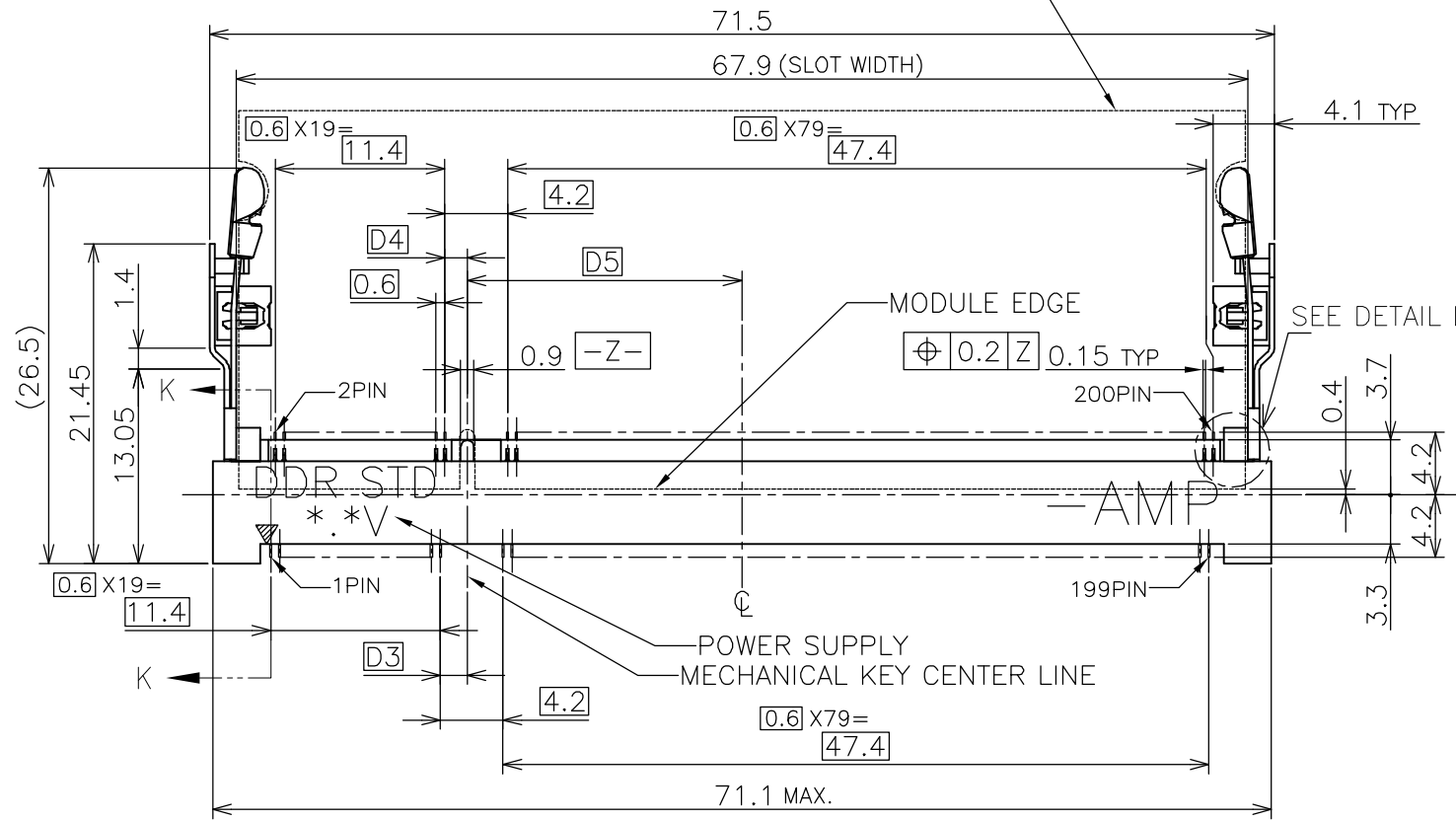
DETAIL L (SCALE 5:1)

HOW TO MATE AND UNMATE

- MATE: ① → ④
- UNMATE: ⑤ → ⑦

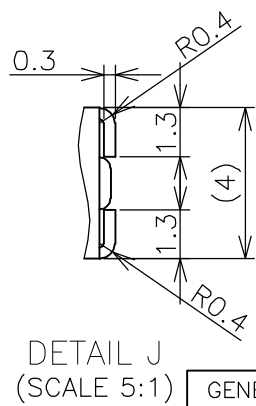
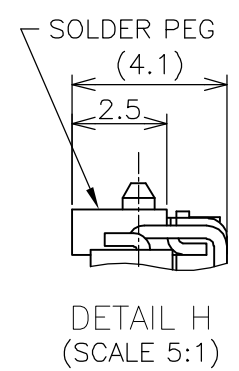
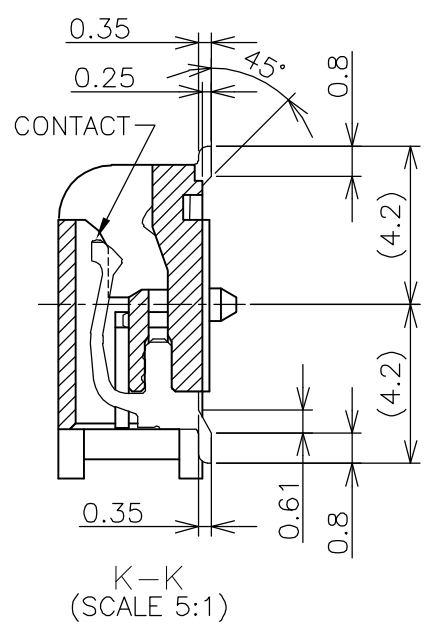


RECOMMENDED MATING P.C.B OUTLINE



(APPLIED TO SHEET 1-2)

1. MATERIAL ; HOUSING: HIGH TEMPERATURE THERMO PLASTIC UL94V-0
 CONTACT: COPPER ARROY
 LOCK LEVER: STAINLESS STEEL
 SOLDER PEG: COPPER ARROY
 2. FINISH ; CONTACT AREA: GOLD FLASH ON 0.0013MIN ALL OVER NICKEL.
 SOLDERING AREA: GOLD FLASH PLT.
 SOLDER PEG: TIN PLATING.
- △ MECHANICAL KEY POSITION OF CONNECTOR SEE TABLE.
 △ TOLERANCES NON-CUMULATIVE.
 △ NOT TO SCALE.
 △ [Dotted Box] INSIDE MUST BE RESIST COAT EXCEPT SOLDER PATTERN.
 △ COPLANARITY : 0.1 MAX.
 △ THE FLOATING VALUE BY SOLDERING IS NOT INCLUDED.
 △ NOT MATING CONDITION.
 10 IF THE MODULE DOESN'T INSERT AND LOCK IN THE LATCH SMOOTHLY,
 OPEN WIDE BOTH LATCHES BY MANUAL. AND THE MODULE MUST BE
 INSERTED AND LOCKED IN THE LATCH.



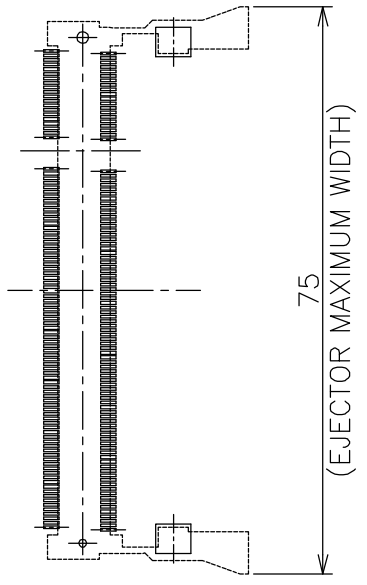
GENERAL TOLERANCE
 DIMENSION ; ±0.3
 ANGLE ; ±3'

TYPE 2	AVAILABLE	—H—	1.8V (DDR2)	17.55	2.4	2.7	200	1674902-4
TYPE 1	AVAILABLE	—H—	2.5V (DDR1)	18.45	1.5	1.8	200	1674902-3
TAB TYPE	TOOLING STATUS	REMARK	POWE SUPPLY (TYPE)	D5	D4	D3	POS	PART NO.
THIS DRAWING IS A CONTROLLED DOCUMENT.			DWN	T.FUMIKURA 02APR03				
			CHK	T.KUSUHARA 02APR03				
			APVD	H.MURAMATSU 02APR03				
DIMENSIONS: MM			TOLERANCES UNLESS OTHERWISE SPECIFIED:		Tyco Electronics AMP K.K. Kawasaki, Japan			
0 PLC ± 1 PLC ± 2 PLC ± 3 PLC ± 4 PLC ± ANGLES ±			PRODUCT SPEC		NAME DDR1 & DDR2 SODIMM SOCKET 0.6mm PITCH 200POS LOW PROFILE STANDARD TYPE			
MATERIAL			FINISH		SIZE	CAGE CODE	DRAWING NO	RESTRICTED TO
					A3	00779	C-1674902	
			WEIGHT		CUSTOMER DRAWING			SCALE 2:1 SHEET 1 OF 4 REV E
			3.2 g					

THIS DRAWING IS UNPUBLISHED. RELEASED FOR PUBLICATION 2003.
 © COPYRIGHT 2003 BY TYCO ELECTRONICS CORPORATION. ALL RIGHTS RESERVED.

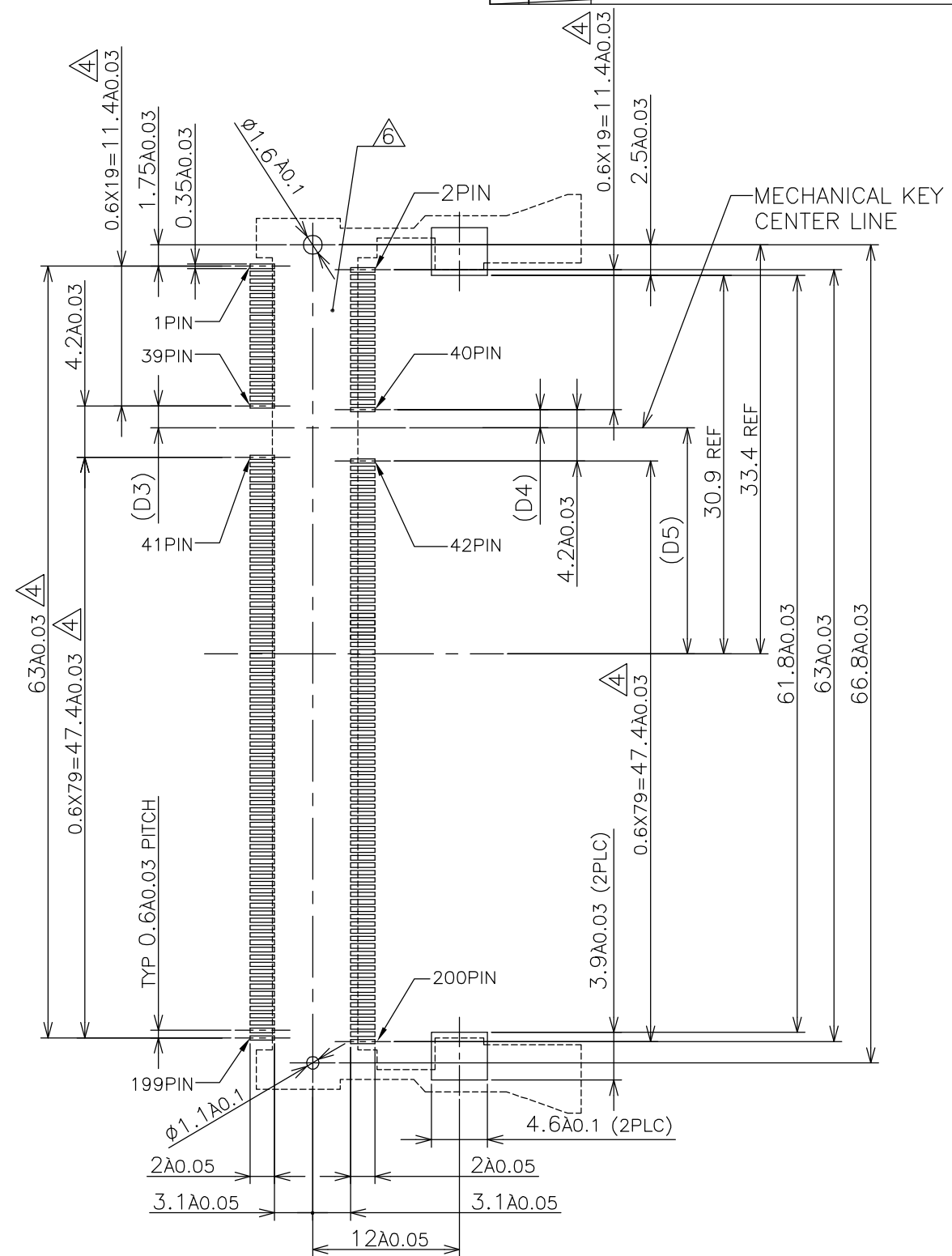
LOC		DIST		REVISIONS		
J		P	LTR	DESCRIPTION	DATE	DWN APVD

REFERENCE P.C.BOARD PATTERN LAYOUT
 (CONNECTOR MOUNTING SIDE)



REAL SIZE (SCALE:1-1)

75
 (EJECTOR MAXIMUM WIDTH)



1.8V	17.55	2.4	2.7
2.5V	18.45	1.5	1.8
POWER SUPPLY	D5	D4	D3

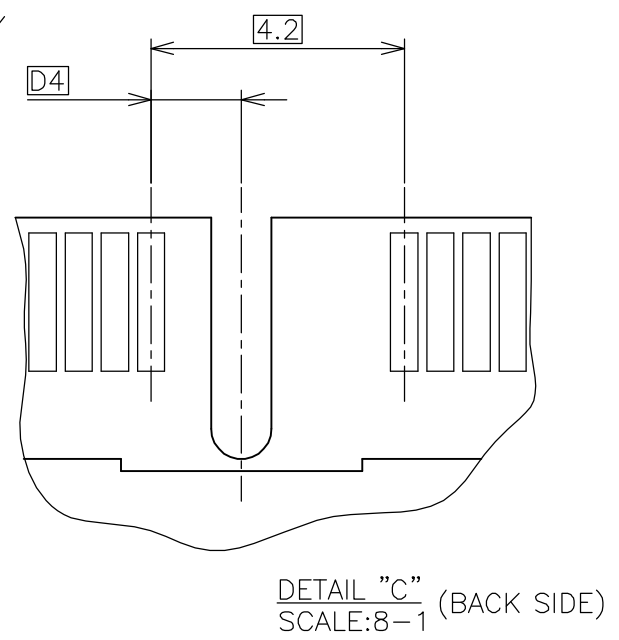
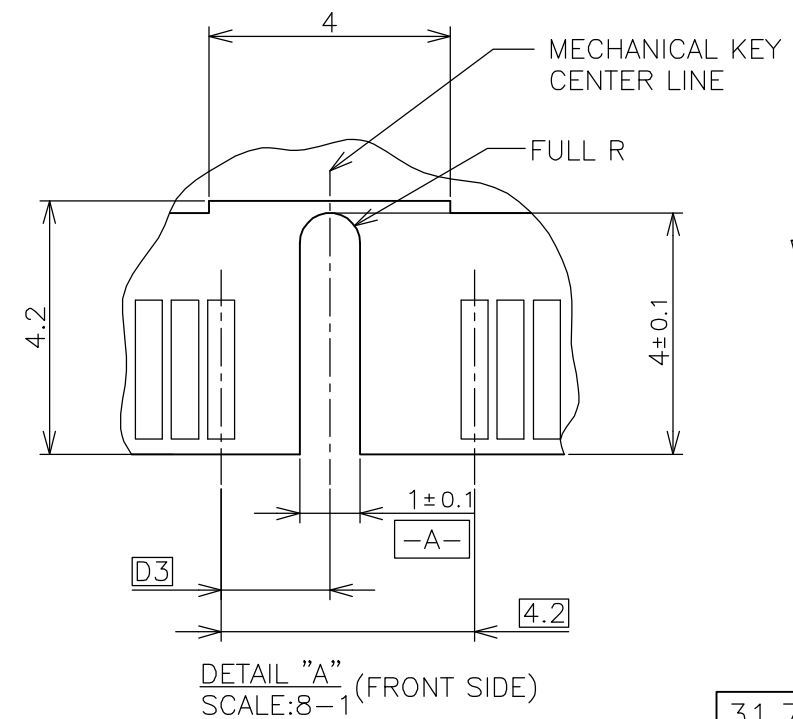
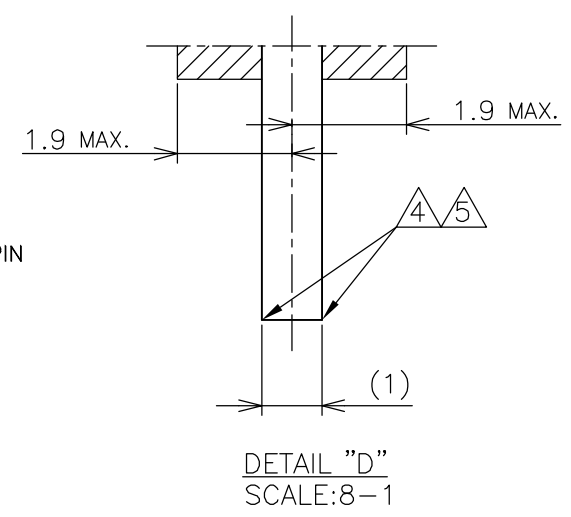
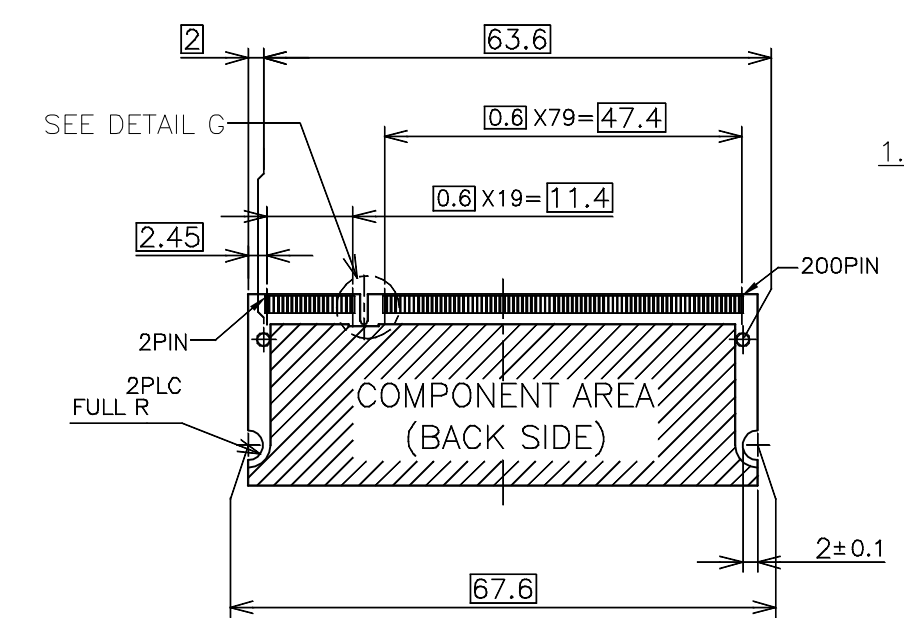
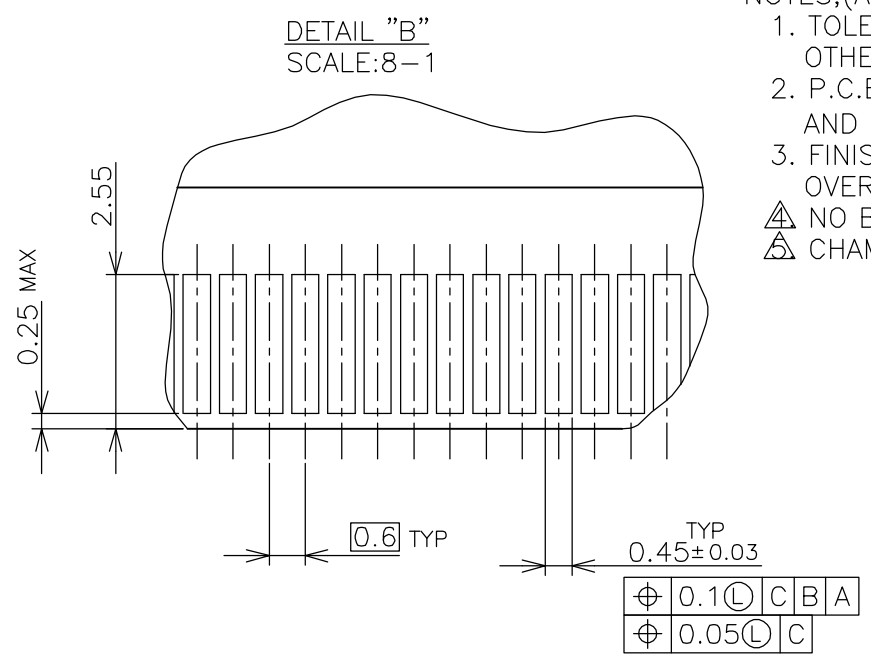
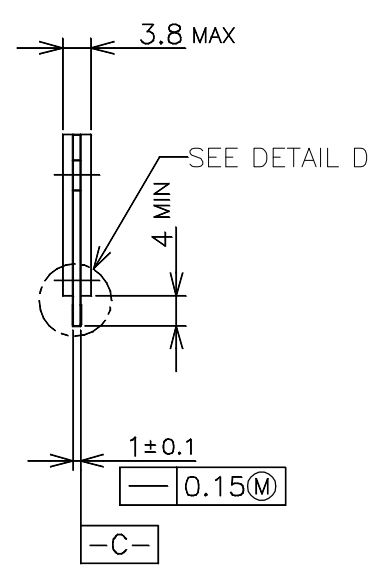
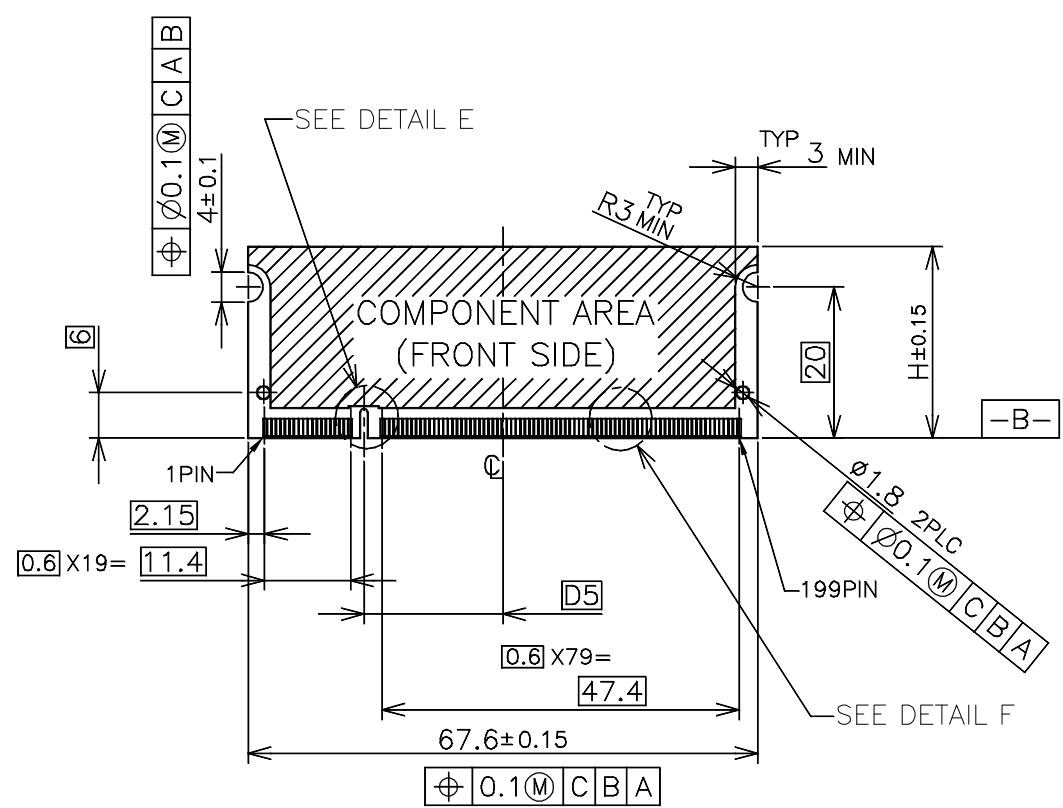
THIS DRAWING IS A CONTROLLED DOCUMENT.		DWN		Tyco Electronics AMP K.K. Kawasaki, Japan	
DIMENSIONS: MM		CHK		NAME	
		APVD		DDR1 & DDR2 SODIMM SOCKET 0.6mm PITCH 200POS LOW PROFILE STANDARD TYPE	
TOLERANCES UNLESS OTHERWISE SPECIFIED: 0 PLC ± 1 PLC ± 2 PLC ± 3 PLC ± 4 PLC ± ANGLES ± FINISH ±		PRODUCT SPEC		DRAWING NO	
MATERIAL		APPLICATION SPEC		CAGE CODE	
		WEIGHT		A3 00779 C-1674902	
CUSTOMER DRAWING				RESTRICTED TO	
				SCALE 2:1	
				SHEET 2 OF 4	
				REV E	

THIS DRAWING IS UNPUBLISHED. RELEASED FOR PUBLICATION 2003.

© COPYRIGHT 2003 BY TYCO ELECTRONICS CORPORATION. ALL RIGHTS RESERVED.

LOC	DIST	REVISIONS					
		P	LTR	DESCRIPTION	DATE	DWN	APVD
J							

- NOTES;(APPLIED TO SHEET 3)
1. TOLERANCES ON ALL DIMENSIONS ±0.15 UNLESS OTHERWISE SPECIFIED.
 2. P.C.BOARD THICKNESS APPLIES ACROSS TABS AND INCLUDES PLATING AND/OR METALIZATION.
 3. FINISH OF PAD : GOLD PLATING 0.00076 MIN. OVER Ni PLATING 0.002MIN.
- ▲ NO BURR
△ CHAMFER 0.25 MAX x 45° IF EXIST.



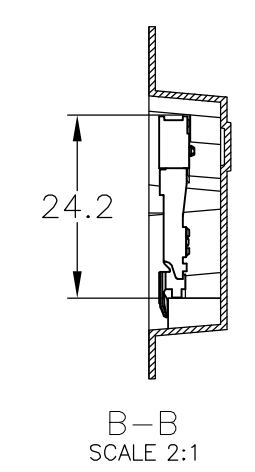
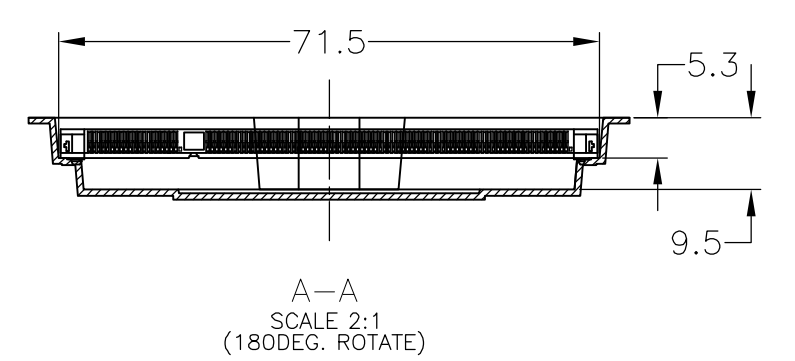
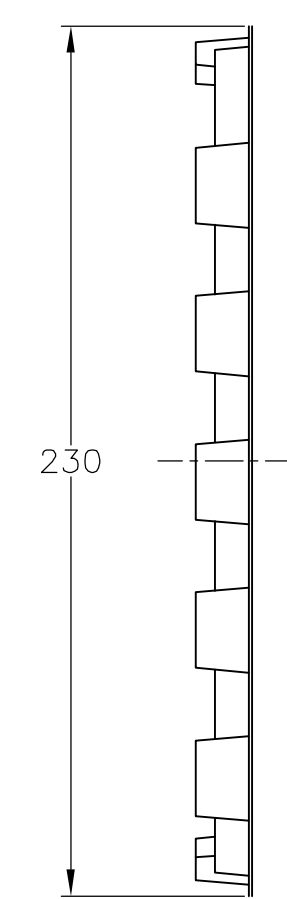
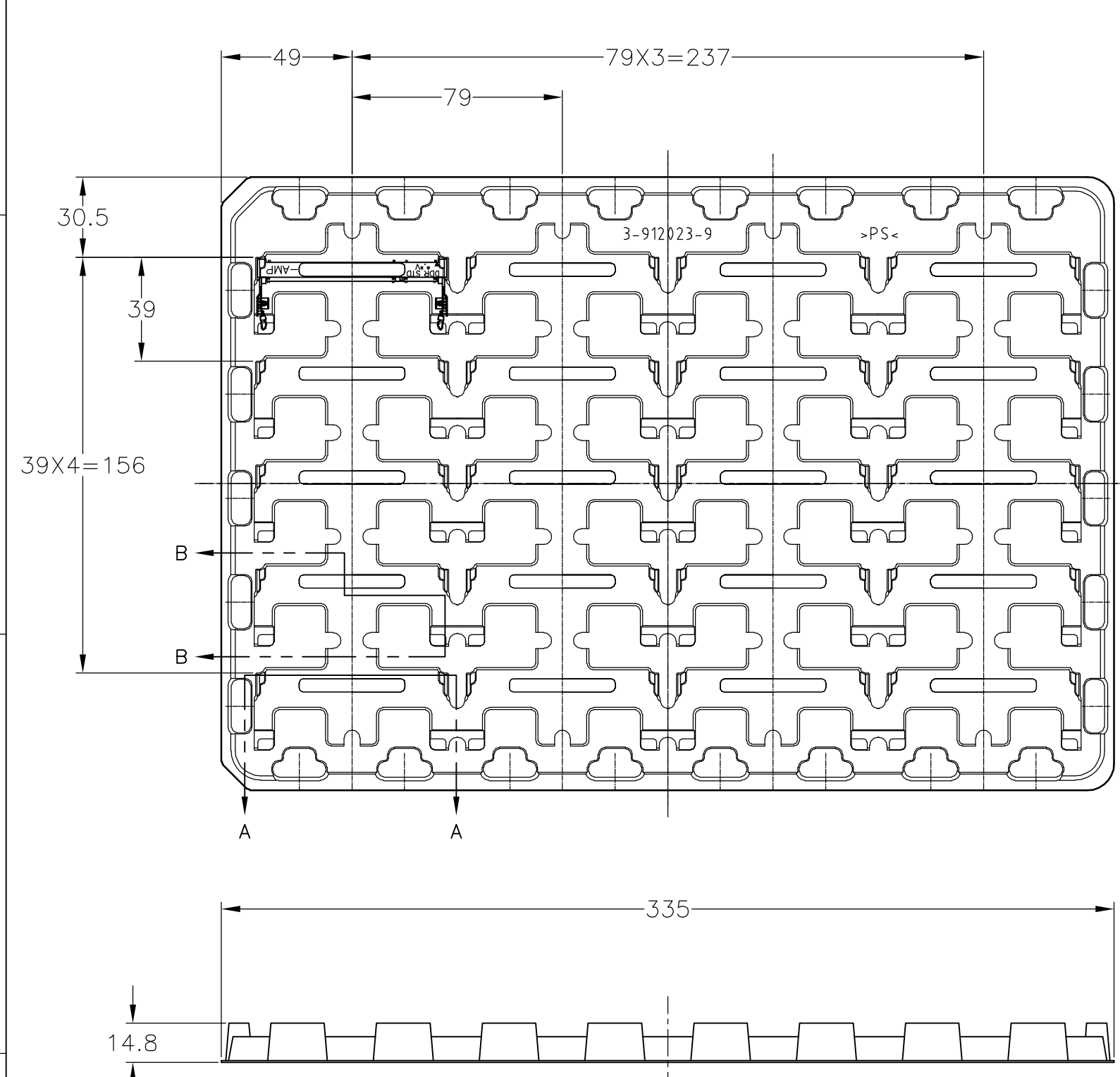
RECOMMENDED MATING P.C.B CONFIGURATION

31.75	1.8V	17.55	2.4	2.7
25.4	2.5V	18.45	1.5	1.8
H	POWER SUPPLY	D5	D4	D3

THIS DRAWING IS A CONTROLLED DOCUMENT.		DWN	Tyco Electronics AMP K.K. Kawasaki, Japan			
DIMENSIONS: MM		CHK				
TOLERANCES UNLESS OTHERWISE SPECIFIED:		APVD				
0 PLC ± 1 PLC ± 2 PLC ± 3 PLC ± 4 PLC ± ANGLES ± MATERIAL FINISH ±		NAME				
MATERIAL		PRODUCT SPEC	DDR1 & DDR2 SODIMM SOCKET			
		APPLICATION SPEC	0.6mm PITCH 200POS			
		WEIGHT	LOW PROFILE STANDARD TYPE			
		CUSTOMER DRAWING	SIZE	CAGE CODE	DRAWING NO	RESTRICTED TO
			A3	00779	C-1674902	-
			SCALE	SHEET	OF	REV
			2:1	3	4	E

THIS DRAWING IS UNPUBLISHED. RELEASED FOR PUBLICATION 2003.
 © COPYRIGHT 2003 BY TYCO ELECTRONICS CORPORATION. ALL RIGHTS RESERVED.

LOC	DIST	REVISIONS					
		P	LTR	DESCRIPTION	DATE	DWN	APVD
J							



1.8V (DDR2)	20EA/TRAY	1674902-4
2.5V (DDR1)	20EA/TRAY	1674902-3
POWER SUPPLY (TYPE)	QTY	P/N

- (APPLIED TO SHEET 4)
- 1 THE DIRECTION OF EACH CONNECTOR ON A TRAY IS REFERRED TO THIS DRAWING.
 - 2 GENERAL TOLERANCE: ±0.5

THIS DRAWING IS A CONTROLLED DOCUMENT.		DWN		Tyco Electronics AMP K.K.	
DIMENSIONS: MM		CHK		Kawasaki, Japan	
TOLERANCES UNLESS OTHERWISE SPECIFIED:		APVD		NAME	
0 PLC ±		PRODUCT SPEC		DDR1 & DDR2 SODIMM SOCKET	
1 PLC ±		APPLICATION SPEC		0.6mm PITCH 200POS	
2 PLC ±		WEIGHT		LOW PROFILE STANDARD TYPE	
3 PLC ±		SIZE		DRAWING NO	
4 PLC ±		A3		C-1674902	
ANGLES ±		CAGE CODE		RESTRICTED TO	
FINISH		00779		-	
MATERIAL		CUSTOMER DRAWING		SCALE 1:2	
				SHEET 4 OF 4	
				REV E	