



Chipsmall Limited consists of a professional team with an average of over 10 year of expertise in the distribution of electronic components. Based in Hongkong, we have already established firm and mutual-benefit business relationships with customers from,Europe,America and south Asia,supplying obsolete and hard-to-find components to meet their specific needs.

With the principle of “Quality Parts,Customers Priority,Honest Operation,and Considerate Service”,our business mainly focus on the distribution of electronic components. Line cards we deal with include Microchip,ALPS,ROHM,Xilinx,Pulse,ON,Everlight and Freescale. Main products comprise IC,Modules,Potentiometer,IC Socket,Relay,Connector.Our parts cover such applications as commercial,industrial, and automotives areas.

We are looking forward to setting up business relationship with you and hope to provide you with the best service and solution. Let us make a better world for our industry!



## Contact us

Tel: +86-755-8981 8866 Fax: +86-755-8427 6832

Email & Skype: info@chipsmall.com Web: www.chipsmall.com

Address: A1208, Overseas Decoration Building, #122 Zhenhua RD., Futian, Shenzhen, China

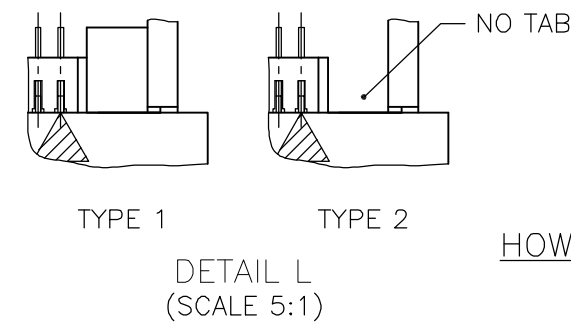
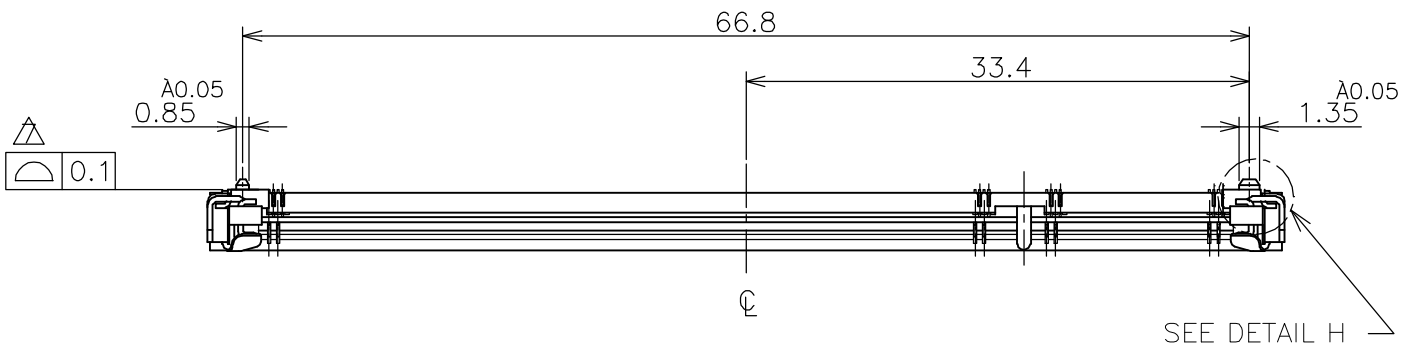


THIS DRAWING IS UNPUBLISHED. RELEASED FOR PUBLICATION 2003.

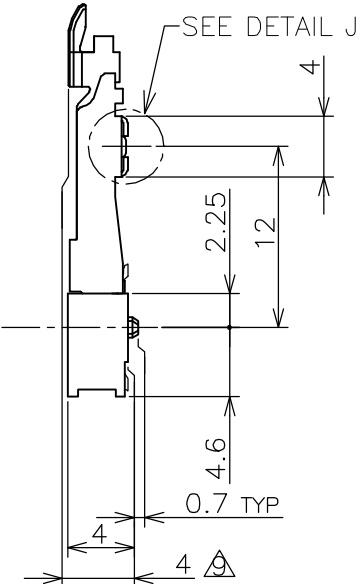
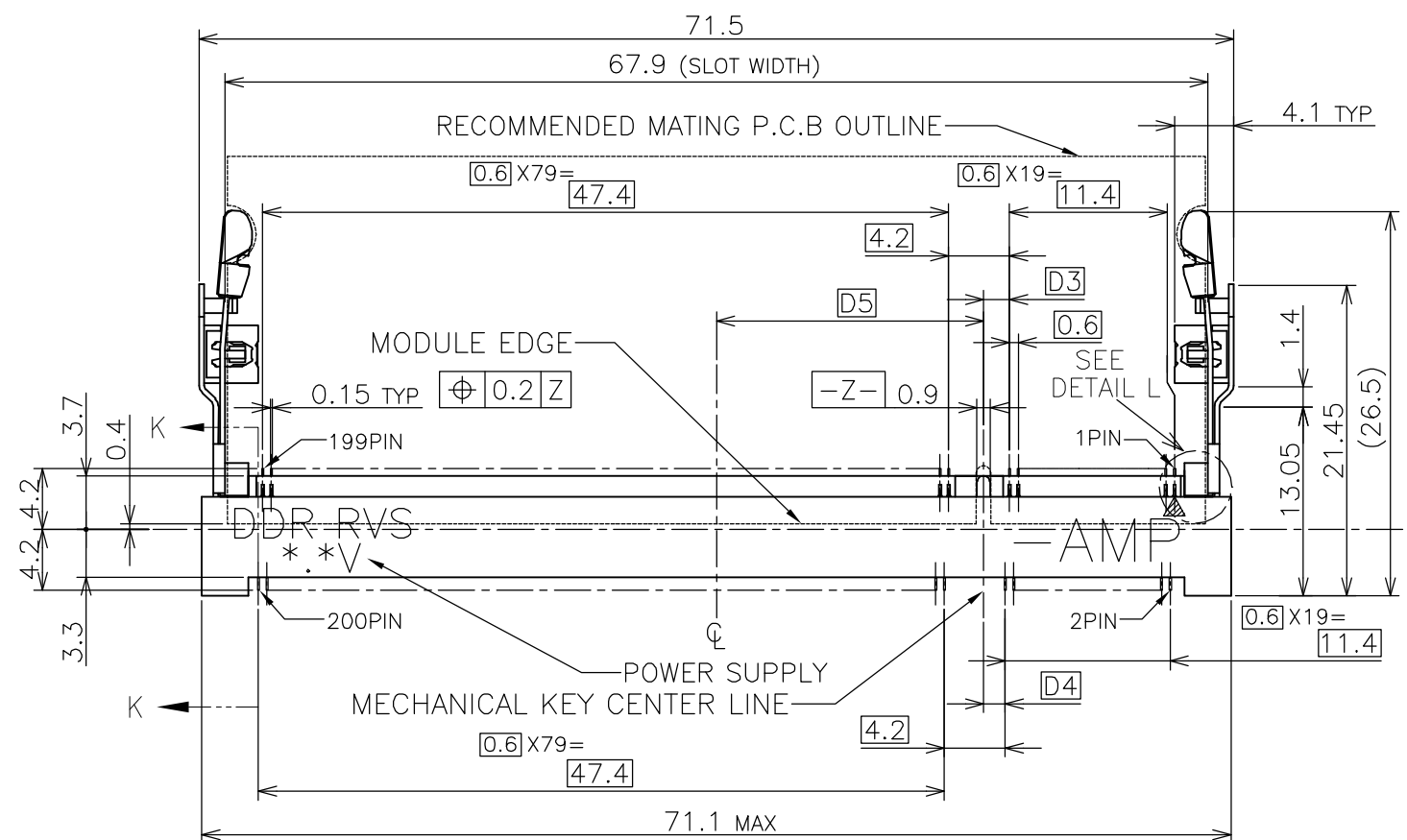
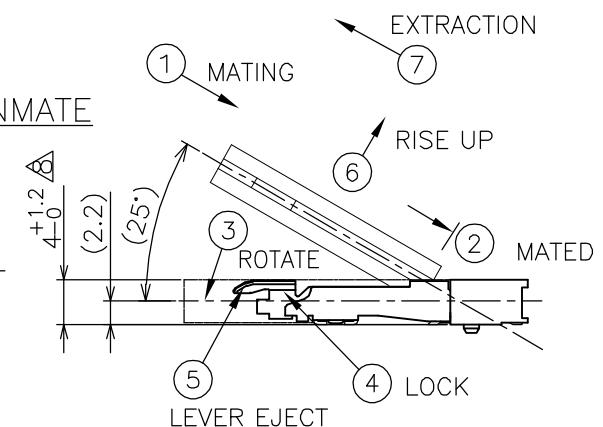
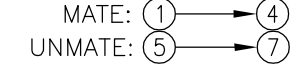
© COPYRIGHT 2003 BY TYCO ELECTRONICS CORPORATION. ALL RIGHTS RESERVED.

LOC	DIST
J	

REVISIONS					
P	LTR	DESCRIPTION	DATE	DWN	APVD
	E	REVISED (ECR-06-024642)	17OCT06	S.Y	S.Y

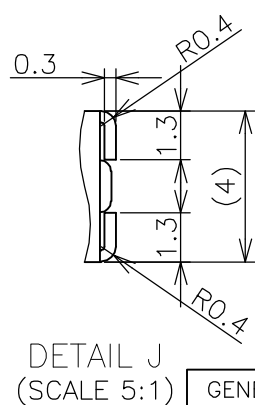
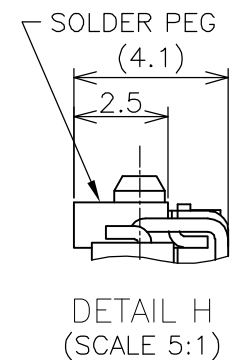
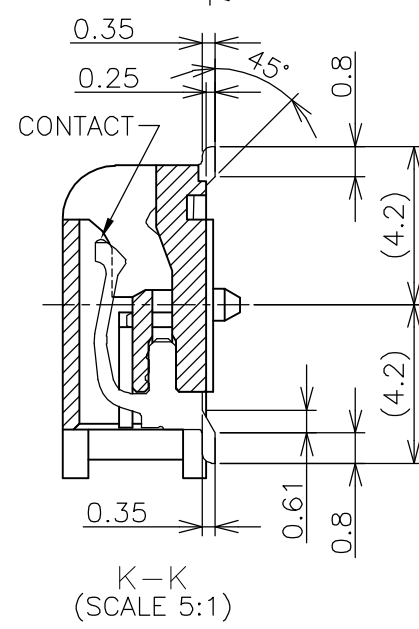


HOW TO MATE AND UNMATE



(APPLIED TO SHEET 1-2)

- MATERIAL ; HOUSING: HIGH TEMPERATURE THERMO PLASTIC UL94V-0  
CONTACT: COPPER ARROY  
LOCK LEVER: STAINLESS STEEL  
SOLDER PEG: COPPER ARROY
  - FINISH ; CONTACT AREA: GOLD FLASH ON 0.0013MIN ALL OVER NICKEL.  
SOLDERING AREA: GOLD FLASH PLT.  
SOLDER PEG: TIN PLATING.
- △ MECHANICAL KEY POSITION OF CONNECTOR SEE TABLE.  
 △ TOLERANCES NON-CUMULATIVE.  
 △ NOT TO SCALE.  
 △ [ ] INSIDE MUST BE RESIST COAT EXCEPT SOLDER PATTERN.  
 △ COPLANARITY : 0.1 MAX.  
 △ THE FLOATING VALUE BY SOLDERING IS NOT INCLUDED.  
 △ NOT MATING CONDITION.  
 10 IF THE MODULE DOESN'T INSERT AND LOCK IN THE LATCH SMOOTHLY, OPEN WIDE BOTH LATCHES BY MANUAL. AND THE MODULE MUST BE INSERTED AND LOCKED IN THE LATCH.



GENERAL TOLERANCE  
DIMENSION ; ±0.3  
ANGLE ; ±3'

TYPE 2	AVAILABLE	—H—	1.8V (DDR2)	17.55	2.4	2.7	200	1674903-4				
TYPE 1	AVAILABLE	—H—	2.5V (DDR1)	18.45	1.5	1.8	200	1674903-3				
TAB TYPE	TOOLING STATUS	REMARK	POWE SUPPLY (TYPE)	D5	D4	D3	POS	PART NO.				
THIS DRAWING IS A CONTROLLED DOCUMENT.			DWN T.FUMIKURA 02APR03	Tyco Electronics AMP K.K. Kawasaki, Japan								
DIMENSIONS: MM			CHK T.KUSUHARA 02APR03									
TOLERANCES UNLESS OTHERWISE SPECIFIED:			APVD H.MURAMATSU 02APR03	NAME								
0 PLC ±			DDR1 & DDR2 SODIMM SOCKET 0.6mm PITCH 200POS LOW PROFILE REVERSE TYPE									
1 PLC ±												
2 PLC ±												
3 PLC ±												
4 PLC ±			PRODUCT SPEC									
ANGLES ±			108-5701									
FINISH ±			APPLICATION SPEC									
MATERIAL			WEIGHT 3.2 g		SIZE A3		CAGE CODE 00779		DRAWING NO C-1674903		RESTRICTED TO	
			CUSTOMER DRAWING		SCALE 2:1		SHEET 1 OF 4		REV E			

THIS DRAWING IS UNPUBLISHED.

RELEASED FOR PUBLICATION

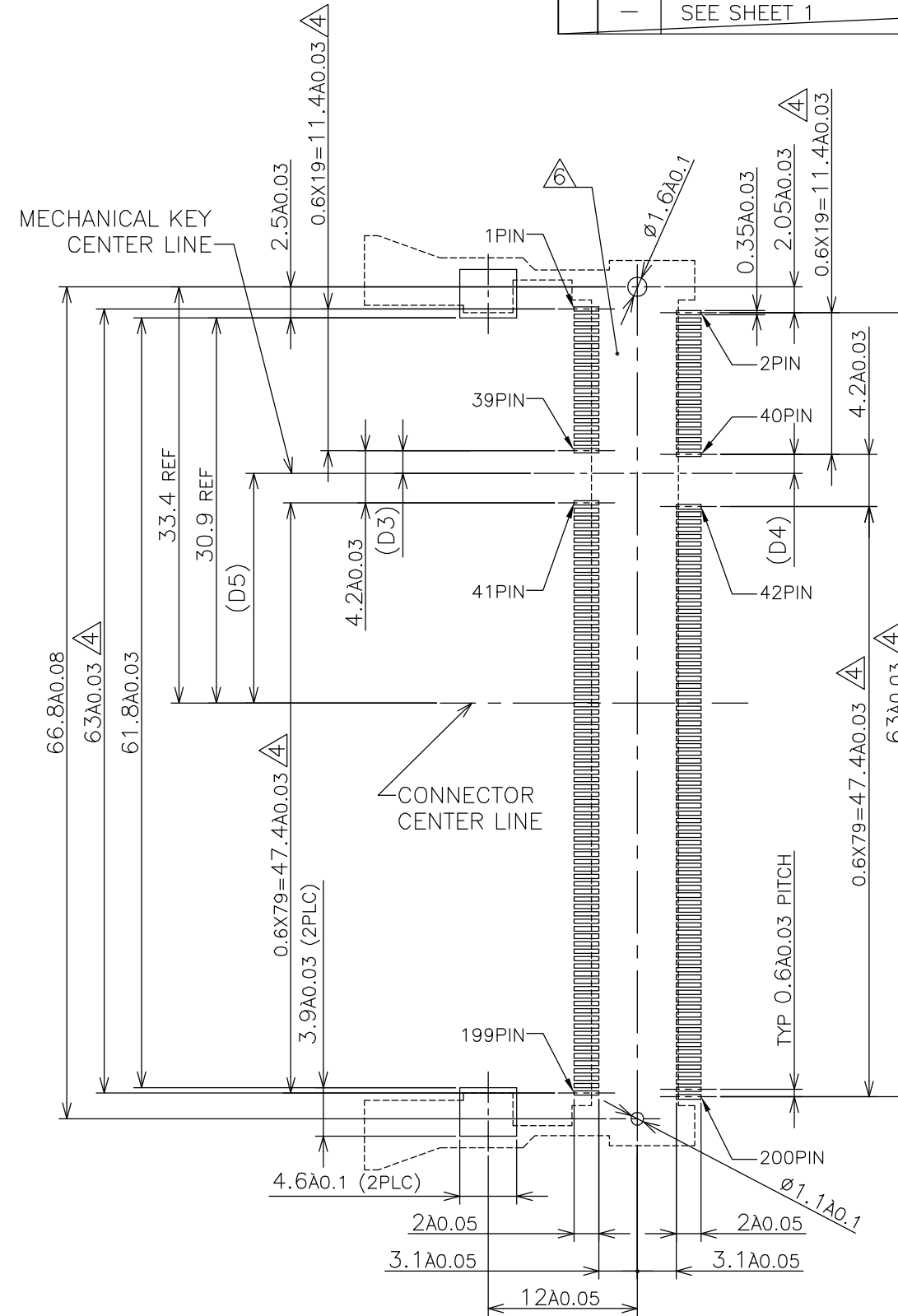
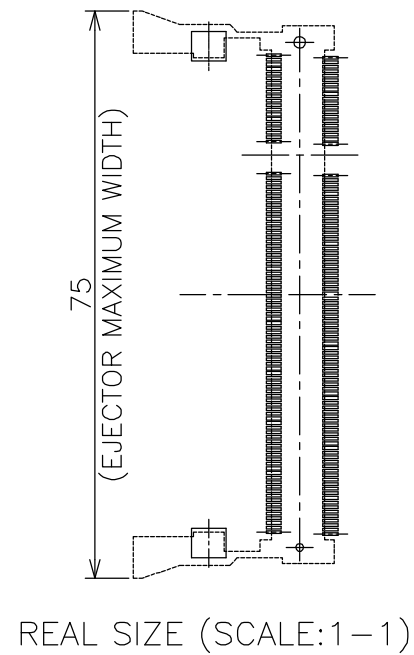
2003.

© COPYRIGHT 2003 BY TYCO ELECTRONICS CORPORATION.

ALL RIGHTS RESERVED.

LOC	DIST	REVISIONS			
P	LTR	DESCRIPTION	DATE	DWN	APVD
J	/	SEE SHEET 1	-	-	-

# REFERENCE P.C.BOARD PATTERN LAYOUT (CONNECTOR MOUNTING SIDE)

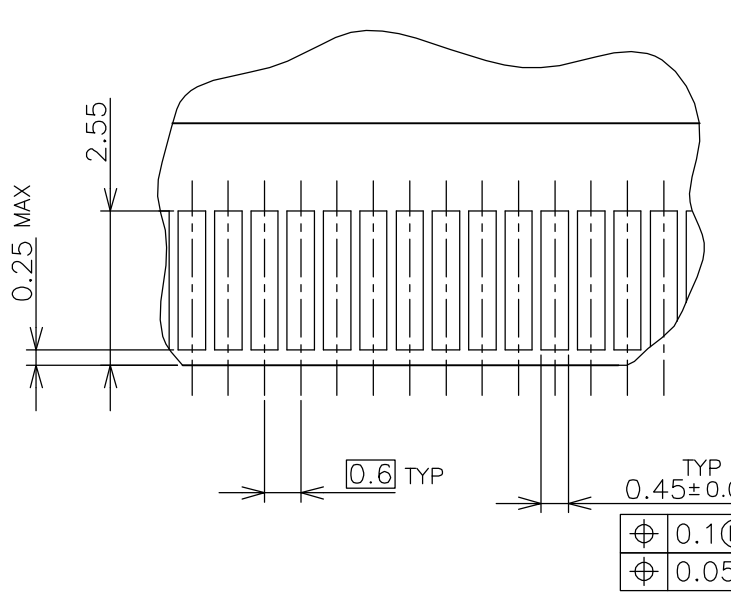
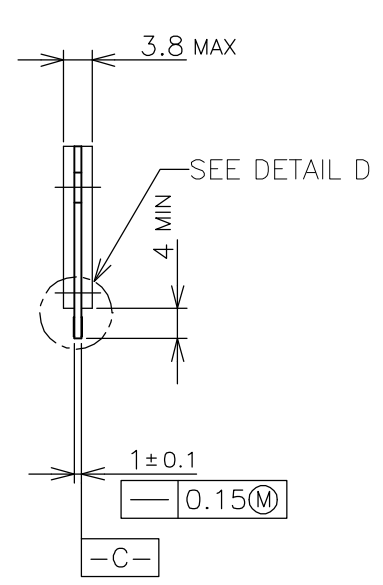
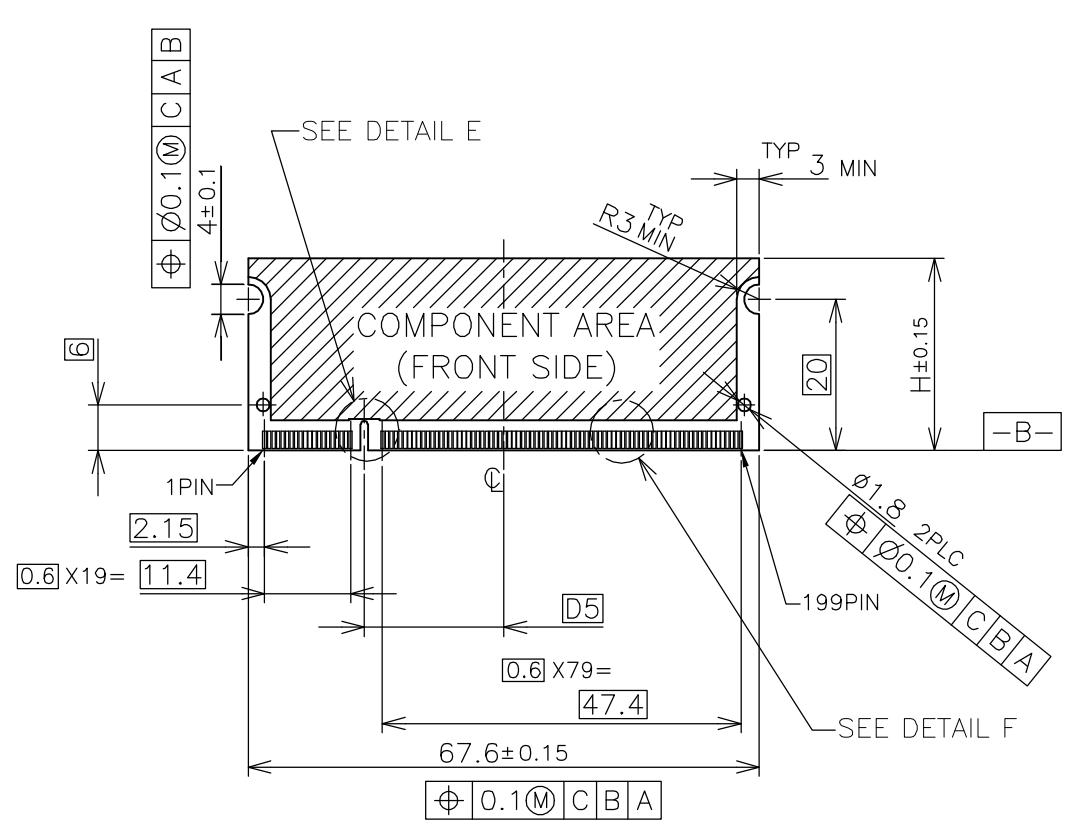


1.8V	17.55	2.4	2.7
2.5V	18.45	1.5	1.8
POWER SUPPLY	D5	D4	D3

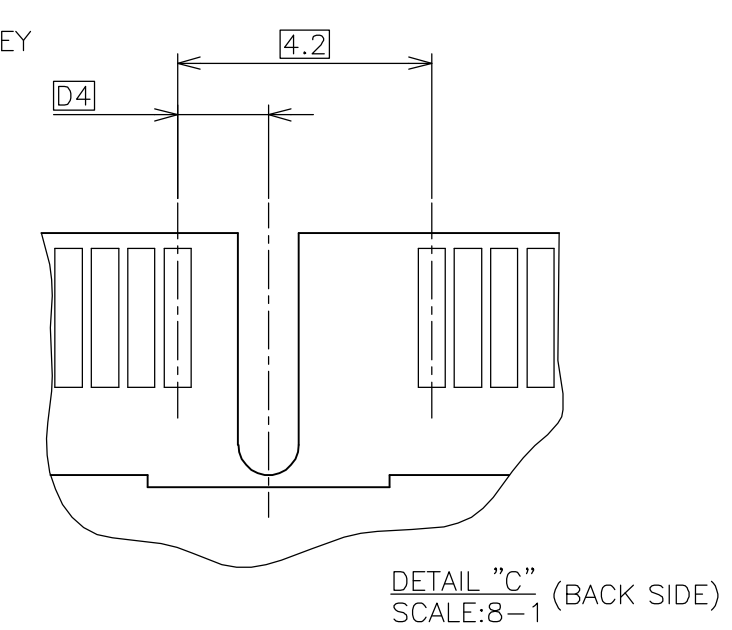
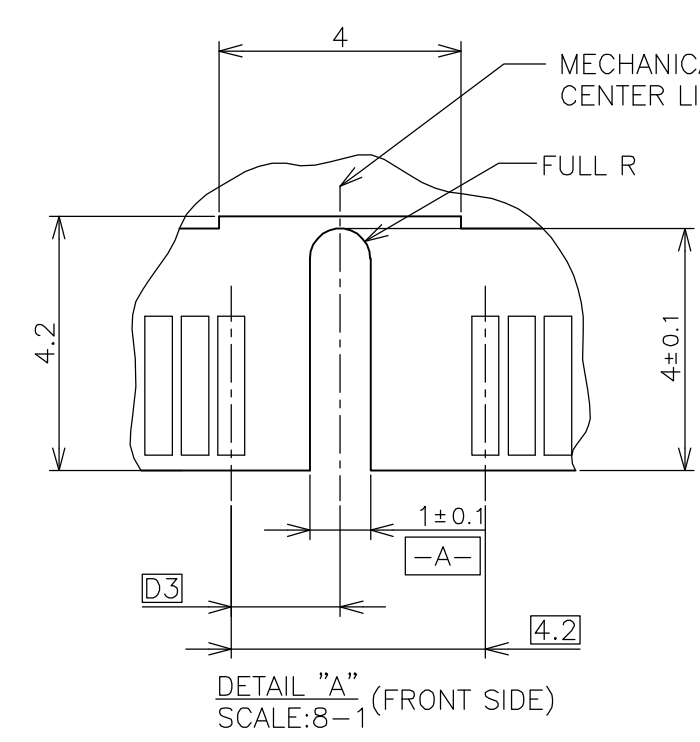
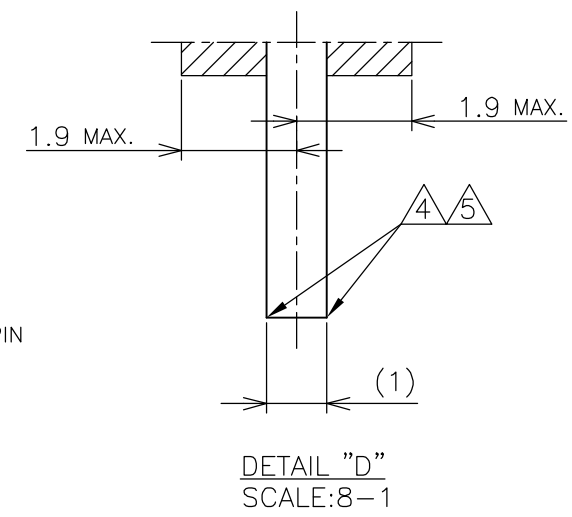
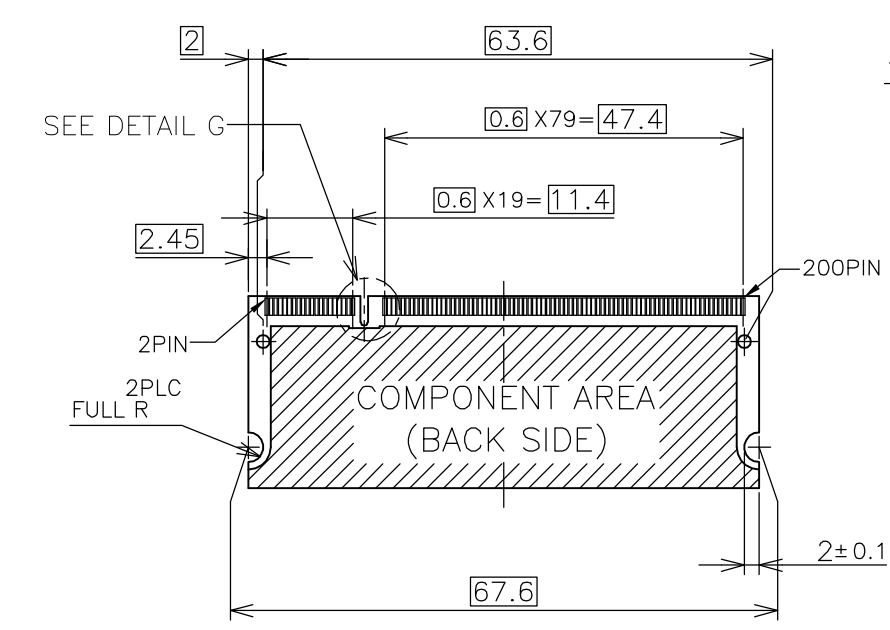
THIS DRAWING IS A CONTROLLED DOCUMENT.		DWN	<b>tyco</b> Tyco Electronics AMP K.K. Kawasaki, Japan	
DIMENSIONS: MM		CHK	NAME	
TOLERANCES UNLESS OTHERWISE SPECIFIED:		APVD	PRODUCT SPEC	
0 PLC ±		PRODUCT SPEC	APPLICATION SPEC	
1 PLC ±		APPLICATION SPEC	SIZE	
2 PLC ±		APPLICATION SPEC	CAGE CODE	DRAWING NO
3 PLC ±		APPLICATION SPEC	A3	00779
4 PLC ±		APPLICATION SPEC	DRAWING NO	
ANGLES ±		APPLICATION SPEC	G-1674903	
FINISH ±		APPLICATION SPEC	RESTRICTED TO	
MATERIAL		WEIGHT	CUSTOMER DRAWING	
		SCALE	SHEET	REV
		2:1	2 OF 4	E

THIS DRAWING IS UNPUBLISHED. RELEASED FOR PUBLICATION 2003.  
 © COPYRIGHT 2003 BY TYCO ELECTRONICS CORPORATION. ALL RIGHTS RESERVED.

LOC	DIST	REVISIONS			
P	LTR	DESCRIPTION	DATE	DWN	APVD
J		SEE SHEET 1	-	-	-



NOTES:(APPLIED TO SHEET 3)  
 1. TOLERANCES ON ALL DIMENSIONS ±0.15 UNLESS OTHERWISE SPECIFIED.  
 2. P.C.BOARD THICKNESS APPLIES ACROSS TABS AND INCLUDES PLATING AND/OR METALIZATION.  
 3. FINISH OF PAD : GOLD PLATING 0.00076 MIN. OVER Ni PLATING 0.002MIN.  
 △ NO BURR  
 ▽ CHAMFER 0.25 MAX x 45° IF EXIST.



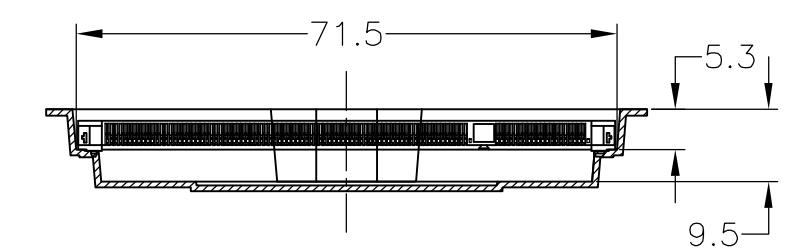
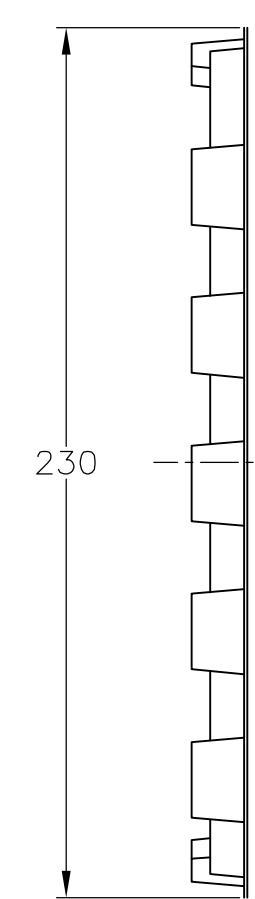
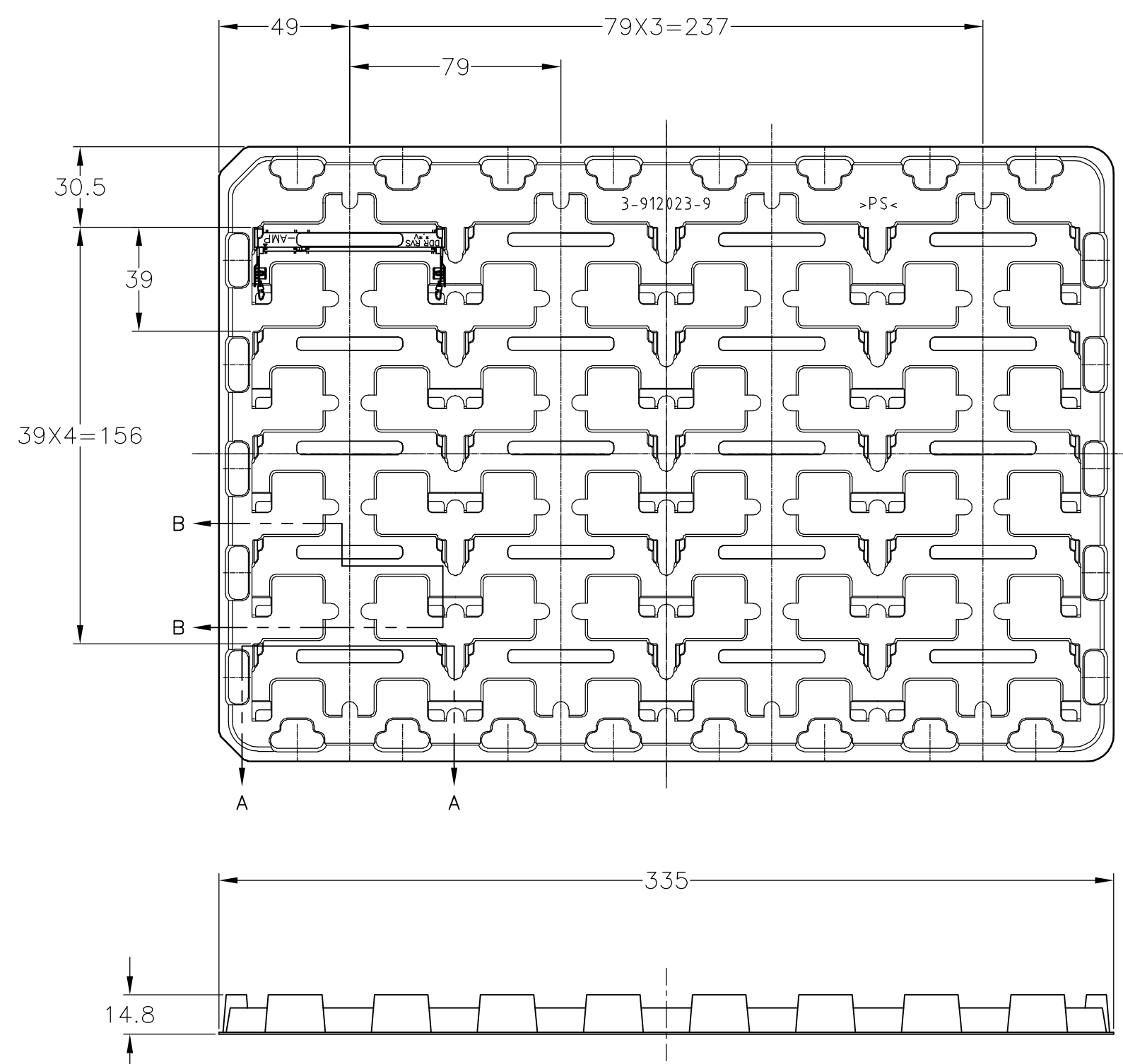
RECOMMENDED MATING P.C.B CONFIGURATION

31.75	1.8V	17.55	2.4	2.7
25.4	2.5V	18.45	1.5	1.8
H	POWER SUPPLY	D5	D4	D3

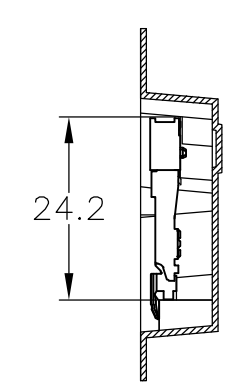
THIS DRAWING IS A CONTROLLED DOCUMENT.		DWN	Tyco Electronics AMP K.K. Kawasaki, Japan			
DIMENSIONS: MM		CHK				
TOLERANCES UNLESS OTHERWISE SPECIFIED:		APVD	NAME			
0 PLC ±		PRODUCT SPEC	DDR1 & DDR2 SODIMM SOCKET			
1 PLC ±		APPLICATION SPEC	0.6mm PITCH 200POS			
2 PLC ±		WEIGHT	LOW PROFILE REVERSE TYPE			
3 PLC ±		CUSTOMER DRAWING	SIZE	CAGE CODE	DRAWING NO	RESTRICTED TO
4 PLC ±			A3	00779	C-1674903	-
ANGLES ±		SCALE	SHEET		REV	
FINISH ±		2:1	3 OF 4		E	

THIS DRAWING IS UNPUBLISHED. RELEASED FOR PUBLICATION 2003.  
 © COPYRIGHT 2003 BY TYCO ELECTRONICS CORPORATION. ALL RIGHTS RESERVED.

LOC	DIST	REVISIONS			
P	LTR	DESCRIPTION	DATE	DWN	APVD
J					



A-A  
SCALE 2:1  
(180DEG. ROTATE)



B-B  
SCALE 2:1

1.8V (DDR2)	20EA/TRAY	1674903-4
2.5V (DDR1)	20EA/TRAY	1674903-3
POWER SUPPLY (TYPE)	QTY	P/N

- (APPLIED TO SHEET 4)
1. THE DIRECTION OF EACH CONNECTOR ON A TRAY IS REFERRED TO THIS DRAWING.
  2. GENERAL TOLERANCE : ±0.5

THIS DRAWING IS A CONTROLLED DOCUMENT.		DWN		Tyco Electronics AMP K.K.			
DIMENSIONS: MM		CHK		Kawasaki, Japan			
TOLERANCES UNLESS OTHERWISE SPECIFIED:		APVD		NAME			
0 PLC ±		PRODUCT SPEC		DDR1 & DDR2 SODIMM SOCKET			
1 PLC ±		APPLICATION SPEC		0.6mm PITCH 200POS			
2 PLC ±		WEIGHT		LOW PROFILE REVERSE TYPE			
3 PLC ±		CUSTOMER DRAWING		SIZE	CAGE CODE	DRAWING NO	RESTRICTED TO
4 PLC ±				A3	00779	1674903	
ANGLES ±				SCALE 1:2		SHEET 4 OF 4	REV E
FINISH ±							