



Chipsmall Limited consists of a professional team with an average of over 10 year of expertise in the distribution of electronic components. Based in Hongkong, we have already established firm and mutual-benefit business relationships with customers from,Europe,America and south Asia,supplying obsolete and hard-to-find components to meet their specific needs.

With the principle of “Quality Parts,Customers Priority,Honest Operation,and Considerate Service”,our business mainly focus on the distribution of electronic components. Line cards we deal with include Microchip,ALPS,ROHM,Xilinx,Pulse,ON,Everlight and Freescale. Main products comprise IC,Modules,Potentiometer,IC Socket,Relay,Connector.Our parts cover such applications as commercial,industrial, and automotives areas.

We are looking forward to setting up business relationship with you and hope to provide you with the best service and solution. Let us make a better world for our industry!



Contact us

Tel: +86-755-8981 8866 Fax: +86-755-8427 6832

Email & Skype: info@chipsmall.com Web: www.chipsmall.com

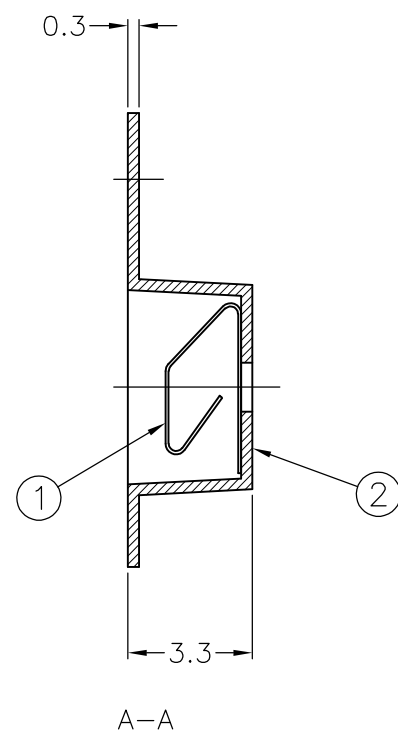
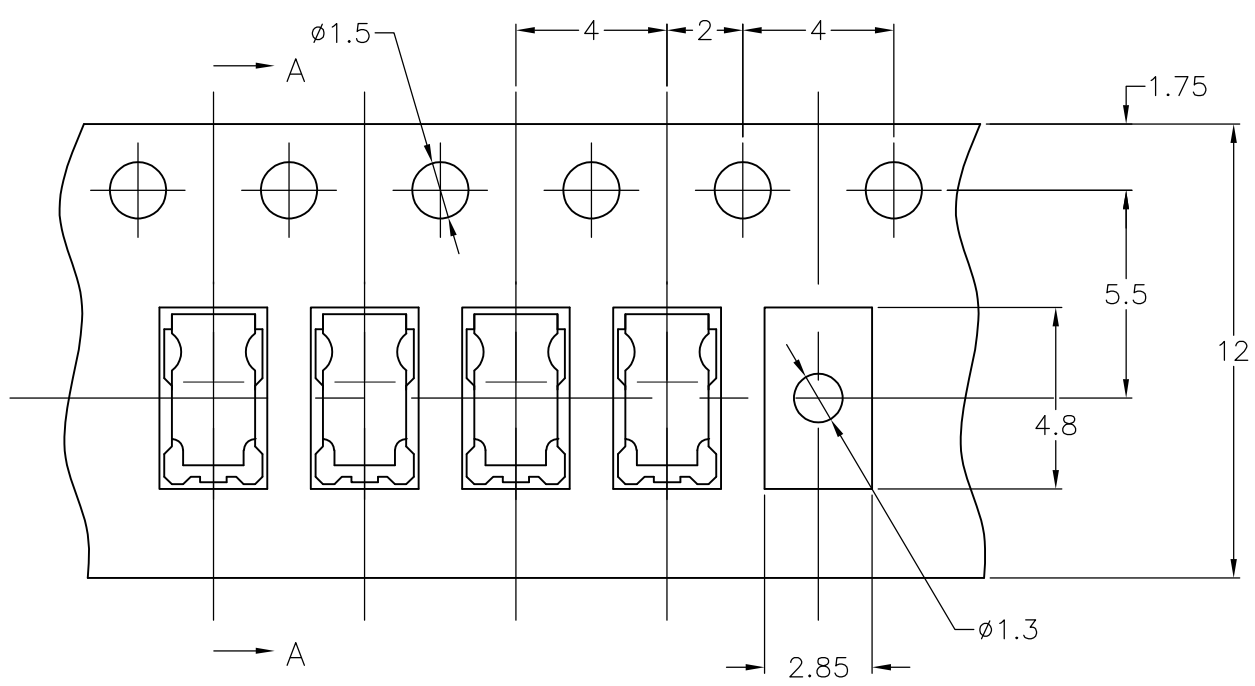
Address: A1208, Overseas Decoration Building, #122 Zhenhua RD., Futian, Shenzhen, China



THIS DRAWING IS UNPUBLISHED. RELEASED FOR PUBLICATION
 © COPYRIGHT BY TYCO ELECTRONICS CORPORATION. ALL RIGHTS RESERVED.

LOC	DIST	REVISIONS			DATE	DWN	APVD
		P	LTR	DESCRIPTION			
J	-		A1	REVISED	07JUN07	C.O	Y.N

DIRECTION OFF TOP OF REEL



- ① PACKING MATERIAL
EMBOSS CARRIER TAPE : ANTISTATIC TAPE
COVER FILM : ANTISTATIC FILM
REEL : PAPER
 - ② QUANTITY OF REEL : 5000 EA/REEL
 - ③ PEALING FORCE : 10 to 70 gf
- 1 : AS SHOWN
-1;本図

FIG.2 REEL DIMENSION

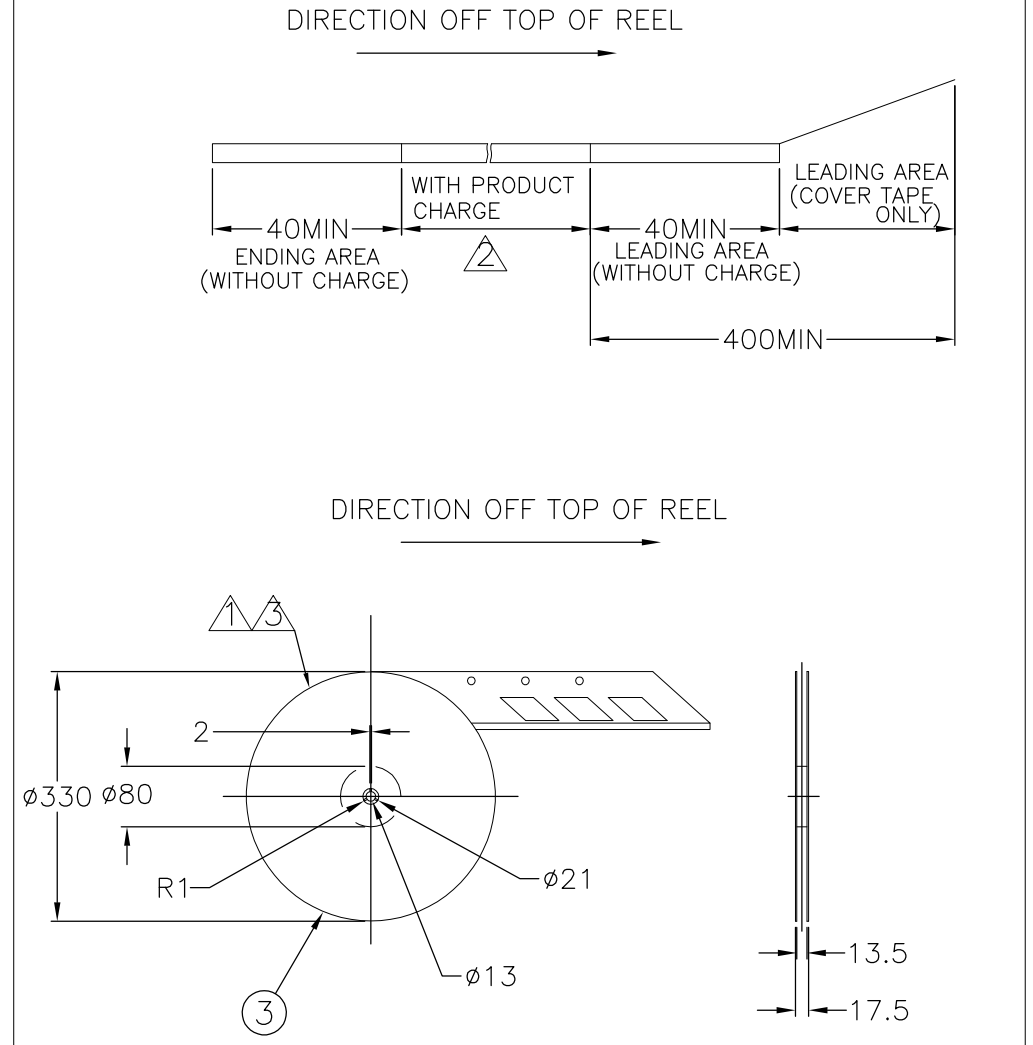
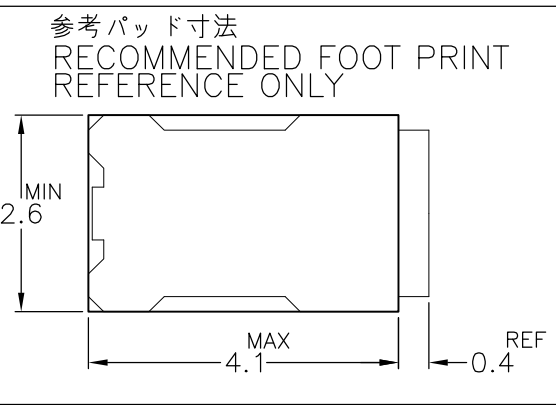
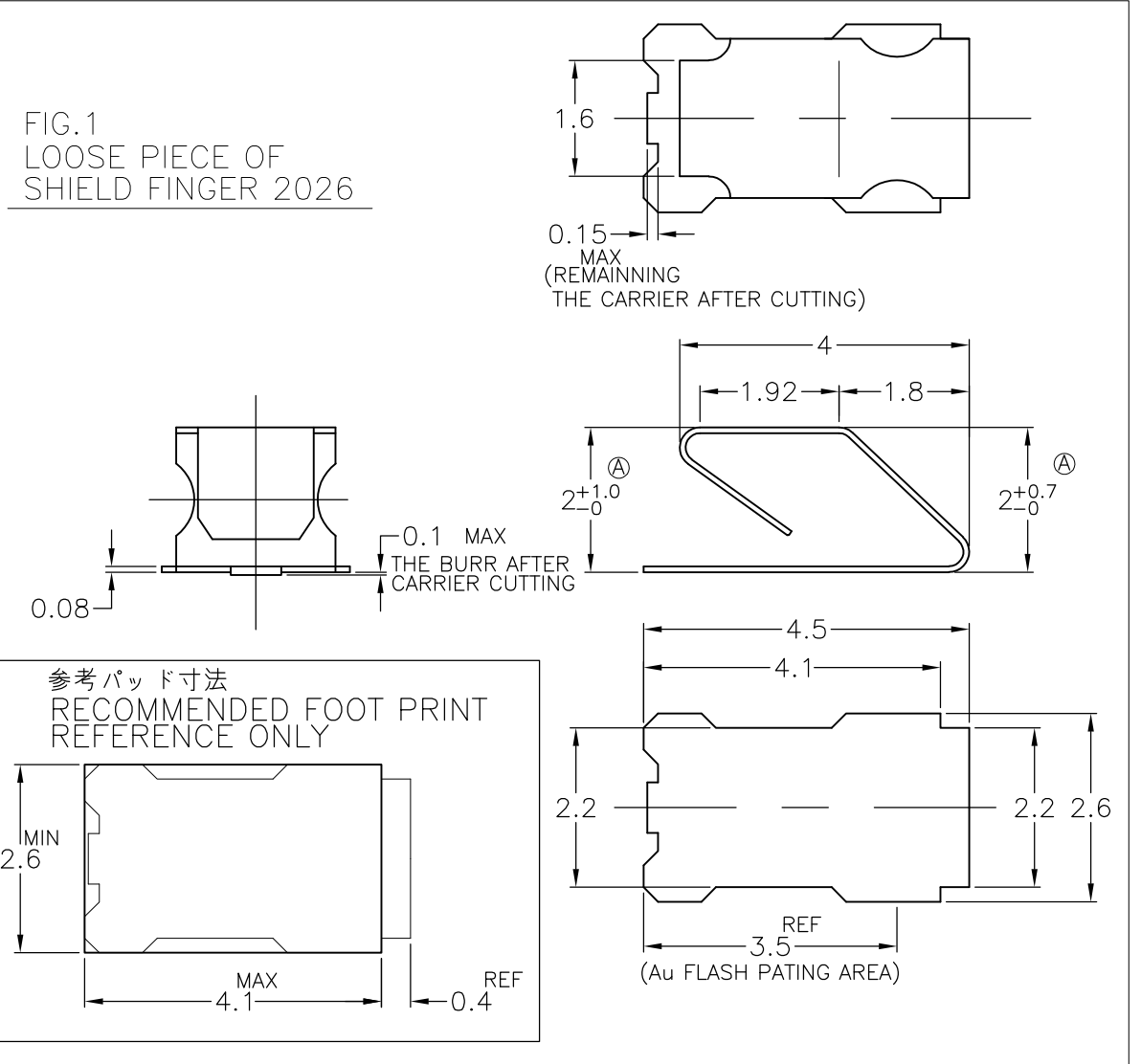


FIG.1 LOOSE PIECE OF SHIELD FINGER 2026



1	REEL		③
①	CARRIER TAPE	①	②
-	SHIELD FINGER 2026		①
Q'TY	MATERIAL	FINISH	ITEM

THIS DRAWING IS A CONTROLLED DOCUMENT.

DWN H.TAKASU 12JUN2003	Tyco Electronics AMP K.K. Kawasaki, Japan	
CHK K.KODAIRA 16JUN03	NAME 名称	
APVD K.KODAIRA 16JUN03	SHIELD FINGER 2026 WITH CONTINUOUS TAPES	
PRODUCT SPEC 製品規格	SIZE A3	CAGE CODE 00779
APPLICATION SPEC 取付適用規格	DRAWING NO 番号 G-1674954	
MATERIAL 材料	WEIGHT -	RESTRICTED TO -
FINISH 仕上 -	CUSTOMER DRAWING	SCALE 尺度 1:1
		SHEET 1 OF 1
		REV A1