



Chipsmall Limited consists of a professional team with an average of over 10 year of expertise in the distribution of electronic components. Based in Hongkong, we have already established firm and mutual-benefit business relationships with customers from,Europe,America and south Asia,supplying obsolete and hard-to-find components to meet their specific needs.

With the principle of “Quality Parts,Customers Priority,Honest Operation,and Considerate Service”,our business mainly focus on the distribution of electronic components. Line cards we deal with include Microchip,ALPS,ROHM,Xilinx,Pulse,ON,Everlight and Freescale. Main products comprise IC,Modules,Potentiometer,IC Socket,Relay,Connector.Our parts cover such applications as commercial,industrial, and automotives areas.

We are looking forward to setting up business relationship with you and hope to provide you with the best service and solution. Let us make a better world for our industry!



## Contact us

Tel: +86-755-8981 8866 Fax: +86-755-8427 6832

Email & Skype: info@chipsmall.com Web: www.chipsmall.com

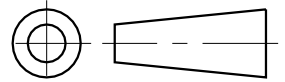
Address: A1208, Overseas Decoration Building, #122 Zhenhua RD., Futian, Shenzhen, China



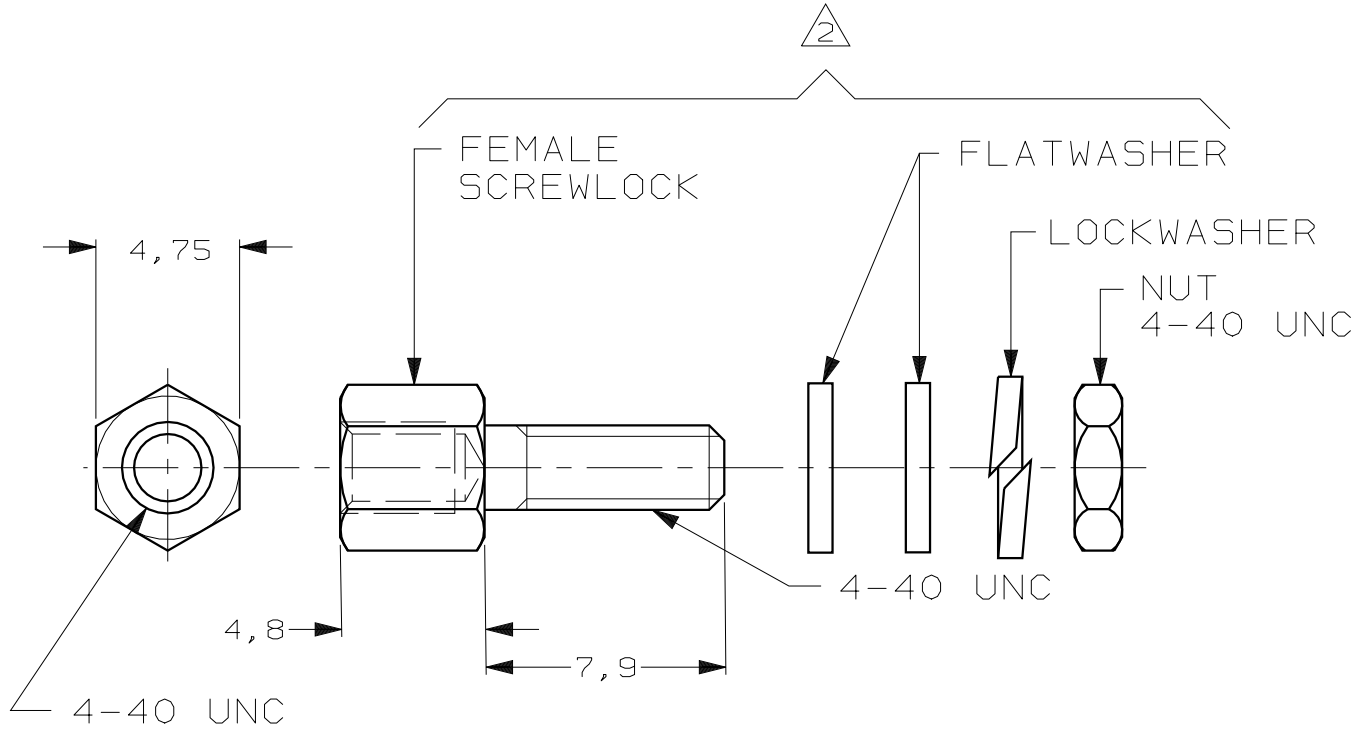
DO NOT SCALE

METRIC

THIRD ANGLE  
PROJECTION



DIMENSIONS IN mm



- NOTES: 1 PARTS PACKAGED UNASSEMBLED  
 2 THIS KIT CONTAINS TWO SCREWLOCK ASSEMBLIES  
 3 BULKPACKAGE CONSISTS OF 50 KITS  
 PLEASE ORDER IN UNITS OF 50 KITS  
 4 FOR MOUNTING INSTRUCTIONS SEE I-042-087  
 5 167501-1, -3, SUPERSEDED BY 167501-2.

E	ECR-05-013427	JvdH	JB	19 OCT 05
D	ECR-05-009767	JvdH	JB	26 AUG 05
C	EH01-0375-04	JvdH	PDJ	16 MAR 04
LTR.	REVISION RECORD	DR.	CHK.	DATE

KIT	2 BRIGHT TINPLATED	STEEL	5 <del>167501-3</del>
BULKPACKAGED	3 BRIGHT TINPLATED		167501-2
BULKPACKAGED	3 ZINC YELLOW CHROMATE		5 <del>167501-1</del>
DESCRIPTION	FINISH	MATERIAL	PARTNUMBER

CUSTOMER DRAWING	<b>AMP</b>		AMP-HOLLAND B.V. 's-Hertogenbosch, The Netherlands.	
	THIS DRAWING IS UNPUBLISHED <del>RELEASED FOR PUBLICATION</del> , 19			
© COPYRIGHT 19- BY AMP-HOLLAND B.V. ALL INTERNATIONAL RIGHTS RESERVED. AMP PRODUCTS MAY BE COVERED BY U.S. AND FOREIGN PATENTS AND/OR PATENTS PENDING.				

DR. P.D. JÄGER	DATE 21-03-89	WIRE RANGE -	NAME AMPLIMITE, KIT, FEMALE SCREWLOCK ASSEMBLY 4-40 UNC	REV. DATE D M Y 21 03 89
CHK. -	DATE -	INSUL. RANGE -	DWG. No. 167501	REV. LTR. E
APP. -	DATE -	SIZE A4	SHEET 1 OF 1	