



Chipsmall Limited consists of a professional team with an average of over 10 year of expertise in the distribution of electronic components. Based in Hongkong, we have already established firm and mutual-benefit business relationships with customers from,Europe,America and south Asia,supplying obsolete and hard-to-find components to meet their specific needs.

With the principle of “Quality Parts,Customers Priority,Honest Operation,and Considerate Service”,our business mainly focus on the distribution of electronic components. Line cards we deal with include Microchip,ALPS,ROHM,Xilinx,Pulse,ON,Everlight and Freescale. Main products comprise IC,Modules,Potentiometer,IC Socket,Relay,Connector.Our parts cover such applications as commercial,industrial, and automotives areas.

We are looking forward to setting up business relationship with you and hope to provide you with the best service and solution. Let us make a better world for our industry!



Contact us

Tel: +86-755-8981 8866 Fax: +86-755-8427 6832

Email & Skype: info@chipsmall.com Web: www.chipsmall.com

Address: A1208, Overseas Decoration Building, #122 Zhenhua RD., Futian, Shenzhen, China




HC-M-04-BU-KOAX-50

Order No.: 1676802

<http://eshop.phoenixcontact.de/phoenix/treeViewClick.do?UID=1676802>

Coaxial contact, for the HC-M-4-MOD-ST module, 50 Ohm

Commercial data

GTIN (EAN)	 4 017918 150556
sales group	D045
Pack	10 pcs.
Customs tariff	85366910
Catalog page information	Page 461 (PC-2009)

Product notesWEEE/RoHS-compliant since:
07/03/2006

<http://www.download.phoenixcontact.com>
Please note that the data given here has been taken from the online catalog. For comprehensive information and data, please refer to the user documentation. The General Terms and Conditions of Use apply to Internet downloads.

Technical data**Electrical characteristics**

Note	Cables that can be used for the coaxial contact: RG174/U, RG188A/U, RG316/U
Rated voltage	50 V AC
Rated current	1.5 A
Volume resistance	≤ 10 mΩ (Phase conductors)

Insulation resistance	10 GΩ
Wave impedance	50 Ω

Mechanical characteristics

Conductor cross section AWG/kcmil max	14
Conductor cross section AWG/kcmil min.	26
Conductor cross section stranded max.	2.5 mm ²
Conductor cross section stranded min.	0.14 mm ²
Insertion/withdrawal cycles	≥ 500

General characteristics

Connection in acc. with standard	IEC / EN
----------------------------------	----------

Material data

Contact material	Copper alloy
Contact surface material	Au

Certificates / Approvals



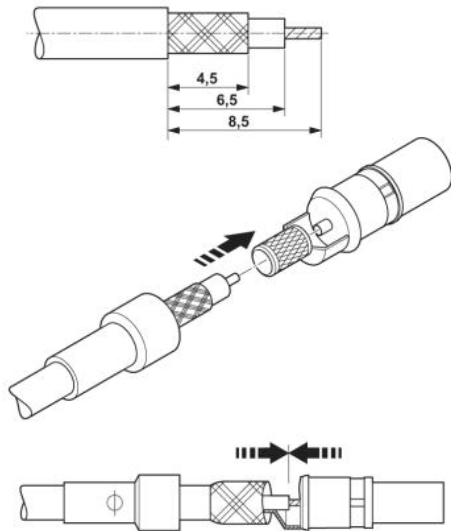
Certification GOST, UL

Accessories

Item	Designation	Description
Tools		
1206023	CRIMPFOX-HCM-KOAX	Crimping pliers, for coaxial, male and female contacts acc. to DIN 41626, contacts HC-M-04-ST-KOAX-... and HC-M-04-BU-KOAX-... 50 and 75 Ohms respectively
1676747	HC-M4-KOAX-EWZ	Contact removal tool for coaxial contacts

Diagrams/Drawings

Schematic diagram



Assembly instructions:

Strip off 8.5 mm of the cable and push the sleeve onto the cable. Then solder the wire with the coaxial contact and place the braided shield above the ridges of the contact. Slide the sleeve over the braided shield and crimp the cable along the narrow contact collar.

Address

PHOENIX CONTACT Deutschland GmbH
Flachmarktstr. 8
32825 Blomberg, Germany
Phone +49 5235 3 12000
Fax +49 5235 3 41200
<http://www.phoenixcontact.de>



© 2010 Phoenix Contact
Technical modifications reserved;