



Chipsmall Limited consists of a professional team with an average of over 10 year of expertise in the distribution of electronic components. Based in Hongkong, we have already established firm and mutual-benefit business relationships with customers from,Europe,America and south Asia,supplying obsolete and hard-to-find components to meet their specific needs.

With the principle of “Quality Parts,Customers Priority,Honest Operation,and Considerate Service”,our business mainly focus on the distribution of electronic components. Line cards we deal with include Microchip,ALPS,ROHM,Xilinx,Pulse,ON,Everlight and Freescale. Main products comprise IC,Modules,Potentiometer,IC Socket,Relay,Connector.Our parts cover such applications as commercial,industrial, and automotives areas.

We are looking forward to setting up business relationship with you and hope to provide you with the best service and solution. Let us make a better world for our industry!



## Contact us

Tel: +86-755-8981 8866 Fax: +86-755-8427 6832

Email & Skype: info@chipsmall.com Web: www.chipsmall.com

Address: A1208, Overseas Decoration Building, #122 Zhenhua RD., Futian, Shenzhen, China




## SACC-M12MR-5CON-PG9-M

Order No.: 1681473

<http://eshop.phoenixcontact.de/phoenix/treeViewClick.do?UID=1681473>

Sensor/actuator connector, male, angled, 5-pos., M12, A-coded, screw connection, metal knurl, cable screw connection Pg9

### Commercial data

|                          |   |
|--------------------------|---|
| GTIN (EAN)               | <br>4 017918 157470 |
| sales group              | D120  |
| Pack                     | 1 pcs.  |
| Customs tariff           | 85366990  |
| Catalog page information | Page 45 (PC-2009)   |

### Product notes

WEEE/RoHS-compliant since:  
03/24/2006



<http://www.download.phoenixcontact.com>  
Please note that the data given here has been taken from the online catalog. For comprehensive information and data, please refer to the user documentation. The General Terms and Conditions of Use apply to Internet downloads.

### Technical data

#### General data

|                       |          |
|-----------------------|----------|
| Rated current at 40°C | 4 A      |
| Rated voltage         | 60 V     |
| Number of positions   | 5        |
| Volume resistance     | ≤ 8 mΩ   |
| Insulation resistance | ≥ 100 MΩ |

|  |  |
|--|--|
| Ambient temperature (operation)        | -40 °C ... 85 °C (Male connector / female connector) |
| <b>General characteristics</b>         |  |
| Standards/regulations                  | M12 connector IEC 61076-2-101                        |
| Coding                                 | A - standard   |
| Surge voltage category                 | II   |
| Pollution degree                       | 3  |
| Degree of protection                   | IP67   |
| Contact material                       | CuZn   |
| Contact surface material               | CuSnZn   |
| Contact carrier material               | PA 66  |
| Material of grip body                  | PBT  |
| Material, knurls                       | Zinc die-cast, (nickel-plated)                       |
| Sealing material                       | NBR  |
| Type of connection                     | Screw connection                                     |
| Conductor cross section stranded min.  | 0.25 mm <sup>2</sup>                                 |
| Conductor cross section stranded max.  | 0.75 mm <sup>2</sup>                                 |
| Conductor cross section AWG/kcmil min. | 24   |
| Conductor cross section AWG/kcmil max  | 18   |
| External cable diameter                | 6 mm ... 8 mm  |
| Status display                         | No   |

#### Certificates / Approvals

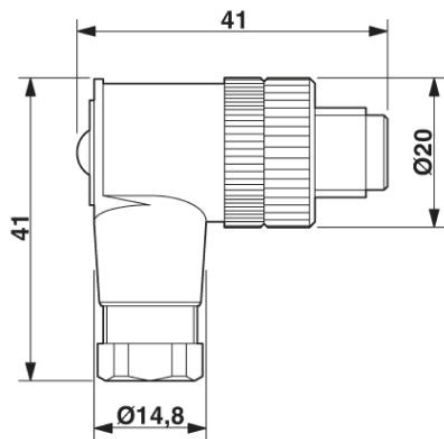


Certification

CUL, GOST, UL

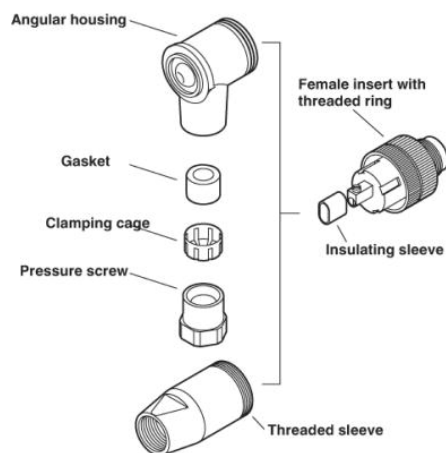
## Diagrams/Drawings

Dimensioned drawing

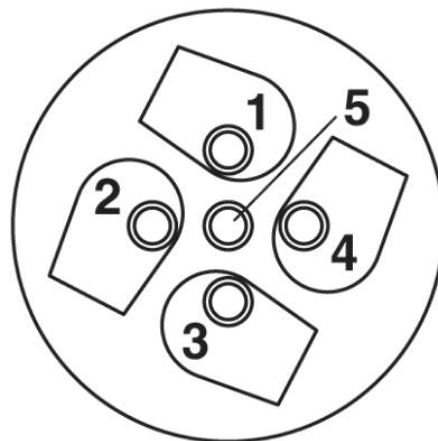


M12 x 1 male connector, angled

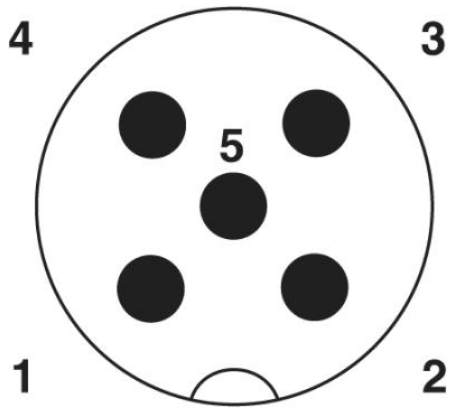
Schematic diagram



Male/Female M12



Cable connection side M12 (screw connection)



Pin assignment M12 male connector, 5-pos., A-coded, male side

**Address**

PHOENIX CONTACT Inc., USA  
586 Fulling Mill Road  
Middletown, PA 17057, USA  
Phone (800) 888-7388  
Fax (717) 944-1625  
<http://www.phoenixcon.com>



© 2010 Phoenix Contact  
Technical modifications reserved;