



Chipsmall Limited consists of a professional team with an average of over 10 year of expertise in the distribution of electronic components. Based in Hongkong, we have already established firm and mutual-benefit business relationships with customers from,Europe,America and south Asia,supplying obsolete and hard-to-find components to meet their specific needs.

With the principle of “Quality Parts,Customers Priority,Honest Operation,and Considerate Service”,our business mainly focus on the distribution of electronic components. Line cards we deal with include Microchip,ALPS,ROHM,Xilinx,Pulse,ON,Everlight and Freescale. Main products comprise IC,Modules,Potentiometer,IC Socket,Relay,Connector.Our parts cover such applications as commercial,industrial, and automotives areas.

We are looking forward to setting up business relationship with you and hope to provide you with the best service and solution. Let us make a better world for our industry!



Contact us

Tel: +86-755-8981 8866 Fax: +86-755-8427 6832

Email & Skype: info@chipsmall.com Web: www.chipsmall.com

Address: A1208, Overseas Decoration Building, #122 Zhenhua RD., Futian, Shenzhen, China



HC-M-KV-M40(19-27)


Order No.: 1690590

The illustration shows version HC-M-KV-M20

<http://eshop.phoenixcontact.de/phoenix/treeViewClick.do?UID=1690590>

Metal screw connection up to 5 bar, thread length: 8 mm, cable diameter: 19 - 27 mm, WAF 43, screw connection: M 40

Commercial data

GTIN (EAN)	 4 017918 822651
sales group	D290
Pack	10 pcs.
Customs tariff	74199990
Catalog page information	Page 521 (PC-2009)

Product notes

WEEE/RoHS-compliant since:
06/26/2006



<http://www.download.phoenixcontact.com>
Please note that the data given here has been taken from the online catalog. For comprehensive information and data, please refer to the user documentation. The General Terms and Conditions of Use apply to Internet downloads.

Technical data

General data

Type of the screw connection	M40
Cable gland material	Nickel-plated brass
Seal material	Neoprene
Cable seal material	Neoprene
Material, O-ring	NBR

Wrench size, union nut	43 mm
Wrench size, support	43 mm
Thread type connection side 1	M40
Length of the connecting thread	8.00 mm
External cable diameter	19 mm ... 27 mm
Conductor sealing range	19.00 mm ... 27.00 mm
Degree of protection	IP68, to 5 bar
Ambient temperature (operation)	-20 °C ... 100 °C

Certificates / Approvals

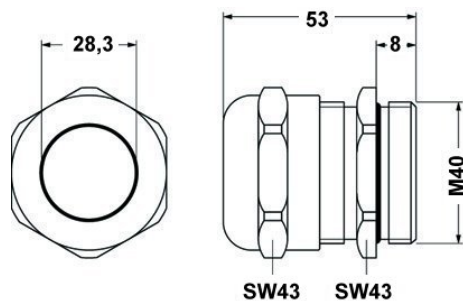


Certification

GOST

Diagrams/Drawings

Dimensioned drawing



Address

PHOENIX CONTACT Deutschland GmbH
Flachmarktstr. 8
32825 Blomberg, Germany
Phone +49 5235 3 12000
Fax +49 5235 3 41200
<http://www.phoenixcontact.de>



© 2010 Phoenix Contact
Technical modifications reserved;