



Chipsmall Limited consists of a professional team with an average of over 10 year of expertise in the distribution of electronic components. Based in Hongkong, we have already established firm and mutual-benefit business relationships with customers from,Europe,America and south Asia,supplying obsolete and hard-to-find components to meet their specific needs.

With the principle of “Quality Parts,Customers Priority,Honest Operation,and Considerate Service”,our business mainly focus on the distribution of electronic components. Line cards we deal with include Microchip,ALPS,ROHM,Xilinx,Pulse,ON,Everlight and Freescale. Main products comprise IC,Modules,Potentiometer,IC Socket,Relay,Connector.Our parts cover such applications as commercial,industrial, and automotives areas.

We are looking forward to setting up business relationship with you and hope to provide you with the best service and solution. Let us make a better world for our industry!



Contact us

Tel: +86-755-8981 8866 Fax: +86-755-8427 6832

Email & Skype: info@chipsmall.com Web: www.chipsmall.com

Address: A1208, Overseas Decoration Building, #122 Zhenhua RD., Futian, Shenzhen, China




SACB-8/ 8-SC

Order No.: 1692022

<http://eshop.phoenixcontact.de/phoenix/treeViewClick.do?UID=1692022>

Sensor/actuator box, M12 female connector, Number of slots: 8,
Number of positions: 4, Slot assignment: Single, Status indication: No,
Universal 180°, Shielding: No

| Commercial data | |
|--------------------------|--|
| GTIN (EAN) |  4 017918 171285 |
| sales group | D103 |
| Pack | 1 pcs. |
| Customs tariff | 85366990 |
| Catalog page information | Page 115 (PC-2009) |

Product notes

WEEE/RoHS-compliant since:
11/13/2006



<http://www.download.phoenixcontact.com>
Please note that the data given here has been taken from the online catalog. For comprehensive information and data, please refer to the user documentation. The General Terms and Conditions of Use apply to Internet downloads.

| Technical data | |
|--|-------|
| General data | |
| Rated voltage | 120 V |
| Max. operating voltage U_{max} | 135 V |
| Current carrying capacity per I/O signal | 2 A |
| Current carrying capacity per slot | 4 A |

| | |
|------------------------------------|----------------------|
| Total rated current | 12 A |
| Number of positions | 4 |
| Number of slots | 8 |
| Degree of protection | IP65/IP67 |
| Inflammability class acc. to UL 94 | V0 |
| Ambient temperature (operation) | -25 °C ... 75 °C |
| Sensor/actuator connection system | M12 female connector |

Master cable data

| | |
|--|----------------------|
| Type of connection | Spring-cage conn. |
| Conductor cross-section min. (signal) | 0.14 mm ² |
| Conductor cross-section max. (signal) | 1 mm ² |
| Conductor cross-section AWG min. (signal) | 26 |
| Conductor cross-section AWG max. (signal) | 17 |
| Conductor cross-section min. (energy) | 0.2 mm ² |
| Conductor cross-section max. (energy) | 1.5 mm ² |
| Conductor cross-section AWG min. (energy) | 24 |
| Conductor cross-section AWG max. (energy) | 16 |
| External cable diameter min. | 6.5 mm |
| External cable diameter max. | 9.5 mm |
| Stripping length | 10 mm |
| Tightening torque, union nut | 2.5 Nm |
| Tightening torque slot sensor/actuator cable | 0.4 Nm |
| Tightening torque screw plug | 0.4 Nm |

Insulation material

| | |
|--|----------|
| Housing material | PA |
| Contact material | CuSn |
| Contact surface material | Ni/Au |
| Contact carrier material | PA |
| Material of contact, master cable side | CuZn |
| Material of contact surface, master cable side | NiSn |
| Material of the contact carrier on the master cable side | PA 66 V0 |
| Material, O-ring | NBR |

Pin assignment

| | |
|--|------------------------------------|
| Slot/position = Wire color or connection | 1 / 4 (A) = 1 / 4 |
| | 2 / 4 (A) = 2 / 4 |
| | 3 / 4 (A) = 3 / 4 |
| | 4 / 4 (A) = 4 / 4 |
| | 5 / 4 (A) = 5 / 4 |
| | 6 / 4 (A) = 6 / 4 |
| | 7 / 4 (A) = 7 / 4 |
| | 8 / 4 (A) = 8 / 4 |
| | 1-8 / 1 (+ 120 V) = U _N |
| | 1-8 / 3 (0 V) = 0 V |
| | 1-8 / 5 (PE) = PE |

Certificates / Approvals

Certification

CUL, GOST, UL

Accessories

| Item | Designation | Description |
|----------------|----------------------------------|---|
| General | | |
| 1503344 | SACB- 8X0,34/ 3X0,75-50,0 PUR | Master cable for sensor/actuator boxes, with PE conductor, unshielded, material PUR/PVC, 11-pos., 8 x 0.34 mm ² and 3 x 0.75 mm ² |
| Grommet | | |
| 1680377 | SACB-D PG 13,5 (4,0-6,5) YE | Rubber seal for Pg screw connection 13.5, for conductor diameter 4.0 mm ... 6.5 mm |
| 1680380 | SACB-D PG 13,5 (6,5-9,5) BK | Rubber seal for Pg screw connection 13.5, for conductor diameter 6.5 mm ... 9.5 mm |
| 1680393 | SACB-D PG 13,5 (9,0-13,0) RD | Rubber seal for Pg screw connection 13.5, for conductor diameter 9.0 mm ... 13.0 mm |

Marking

| | | |
|---------|-------------------|---|
| 2809128 | ZBN 18:UNBEDRUCKT | Unprinted marker labels, strips with 5 labels for individual labeling with M-PEN or CMS system, for terminal block width: 17.5 mm, color: White |
|---------|-------------------|---|

Protection and sealing elements

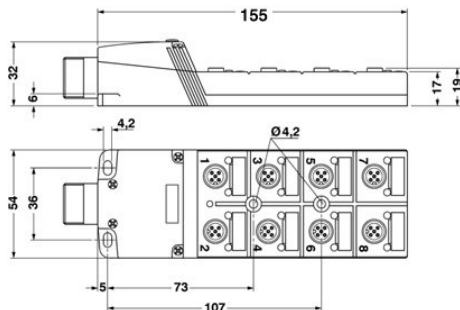
| | | |
|---------|----------|---|
| 1680539 | PROT-M12 | An M12 screw plug for the unoccupied M12 sockets of the sensor/ actuator cable, boxes and flush-type connectors |
|---------|----------|---|

Tools

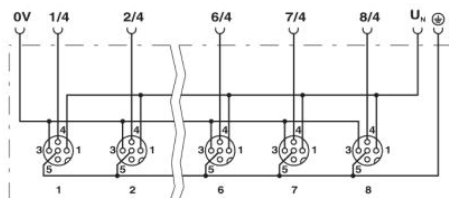
| | | |
|---------|------------------|---|
| 1208432 | SAC BIT M12-D15 | Nut for assembling sensor/actuator cables with M12 connector and for M12 connectors with QUICKON fast connection technology, for 4 mm hexagonal drive |
| 1208445 | SACC BIT M12-D20 | Nut for assembling SACC M12 connectors for free assembly, excluding M12 connectors with QUICKON fast connection technology, for 4 mm hexagonal drive |
| 1206450 | SZK PZ1 VDE | Screwdriver, PZ crosshead, VDE insulated, size: PZ 1 x 80 mm, 2-component grip, with non-slip grip |
| 1208429 | TSD 04 SAC | Torque screwdriver, with preset torque of 0.4 Nm and 4 mm hexagonal drive for M12 connectors |

Diagrams/Drawings

Dimensioned drawing

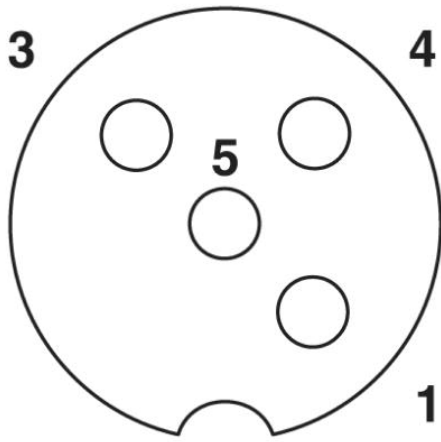


Circuit diagram



Schematic diagram

M12 slot, socket, 4-pos.



Address

PHOENIX CONTACT Inc., USA
586 Fulling Mill Road
Middletown, PA 17057, USA
Phone (800) 888-7388
Fax (717) 944-1625
<http://www.phoenixcon.com>



© 2010 Phoenix Contact
Technical modifications reserved;