



Chipsmall Limited consists of a professional team with an average of over 10 year of expertise in the distribution of electronic components. Based in Hongkong, we have already established firm and mutual-benefit business relationships with customers from,Europe,America and south Asia,supplying obsolete and hard-to-find components to meet their specific needs.

With the principle of “Quality Parts,Customers Priority,Honest Operation,and Considerate Service”,our business mainly focus on the distribution of electronic components. Line cards we deal with include Microchip,ALPS,ROHM,Xilinx,Pulse,ON,Everlight and Freescale. Main products comprise IC,Modules,Potentiometer,IC Socket,Relay,Connector.Our parts cover such applications as commercial,industrial, and automotives areas.

We are looking forward to setting up business relationship with you and hope to provide you with the best service and solution. Let us make a better world for our industry!



Contact us

Tel: +86-755-8981 8866 Fax: +86-755-8427 6832

Email & Skype: info@chipsmall.com Web: www.chipsmall.com

Address: A1208, Overseas Decoration Building, #122 Zhenhua RD., Futian, Shenzhen, China



4

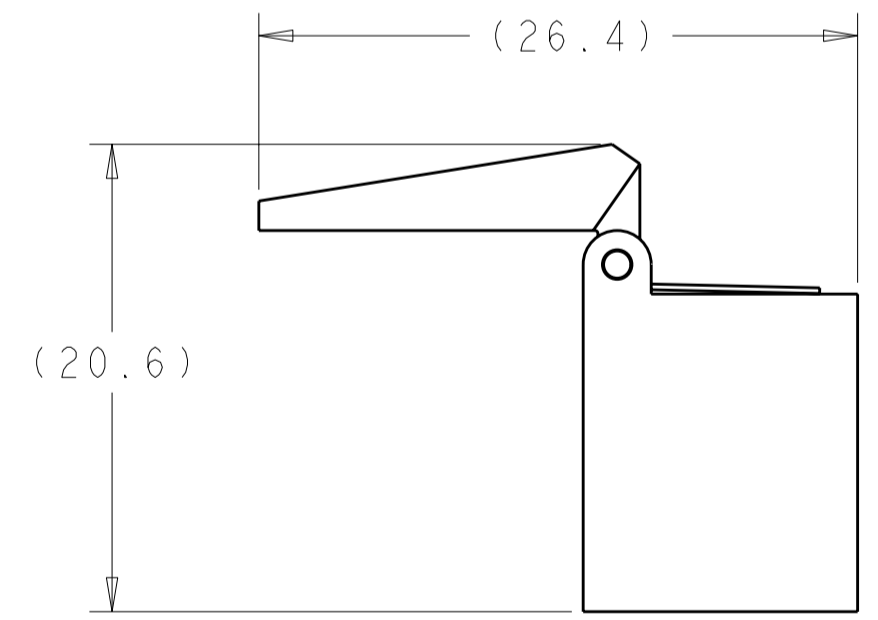
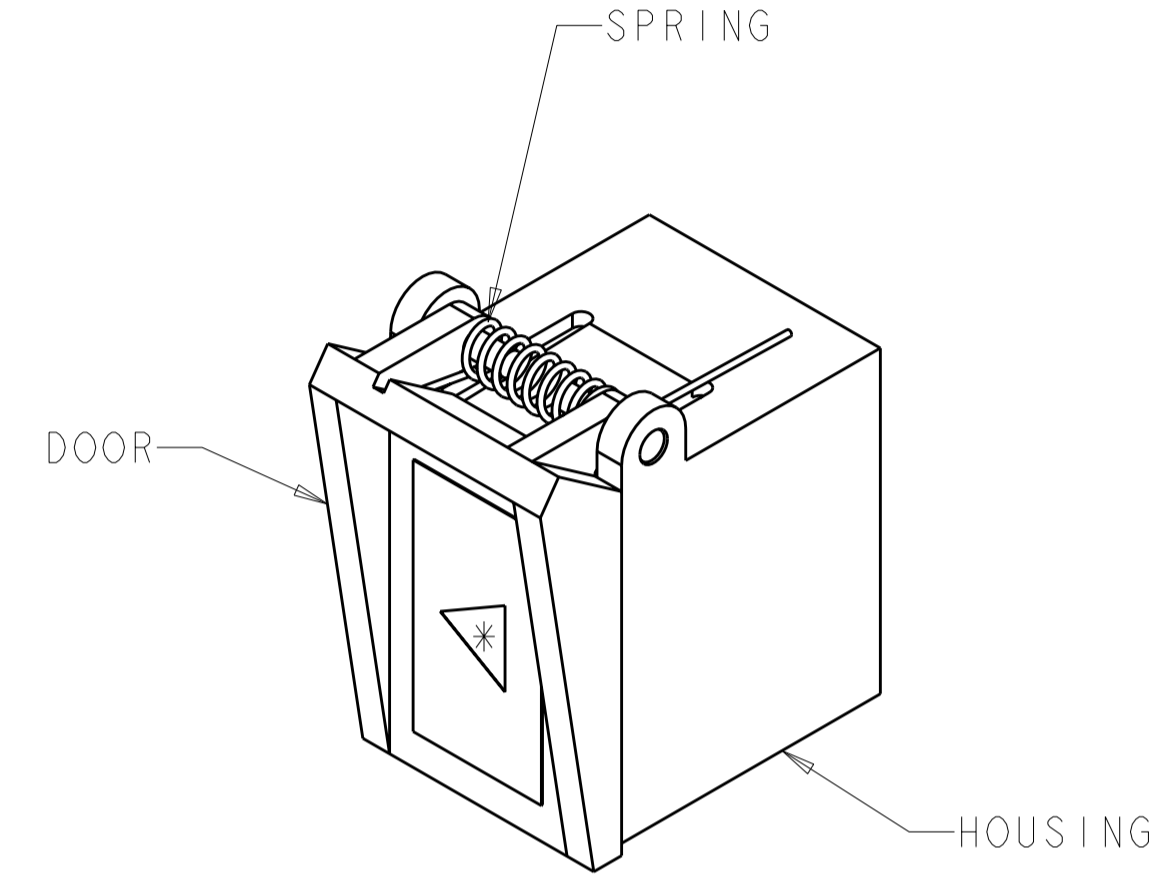
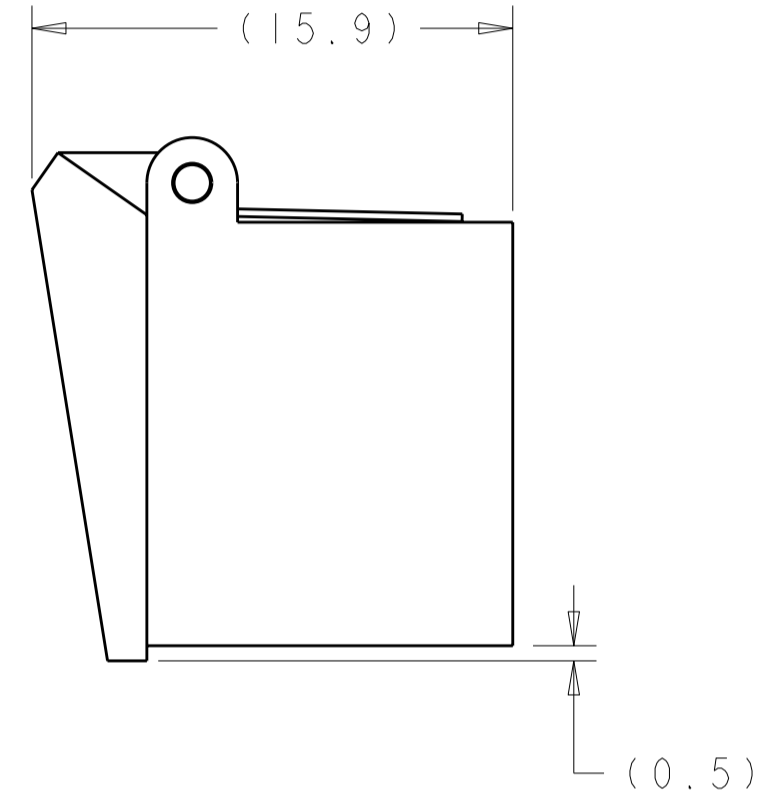
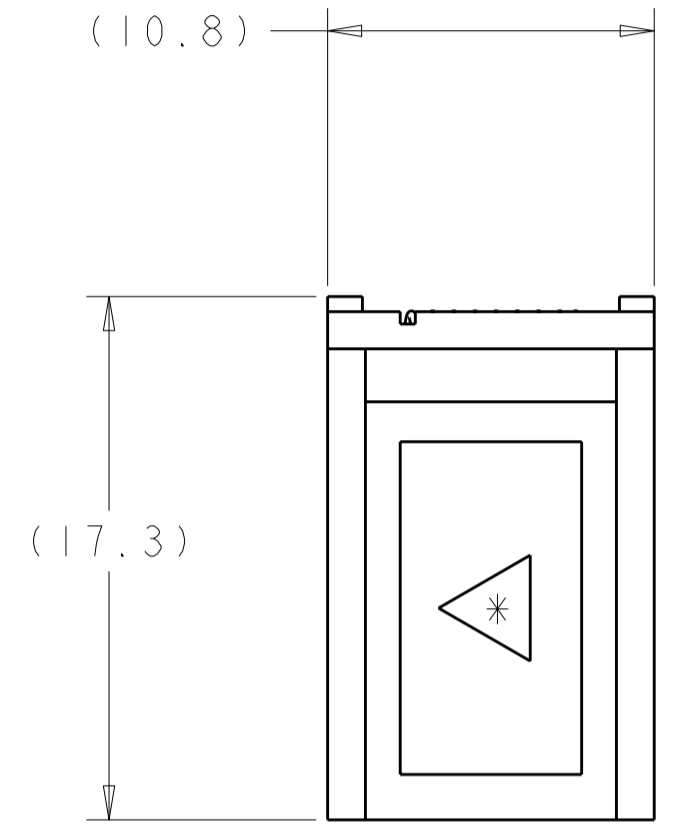
3

2

1

THIS DRAWING IS UNPUBLISHED. RELEASED FOR PUBLICATION 20
 © COPYRIGHT 20 BY TYCO ELECTRONICS CORPORATION. ALL RIGHTS RESERVED.

LOC	DIST	REVISIONS			
P	LTR	DESCRIPTION	DATE	DWN	APVD
CE	00	A	EC 0A00-0353-03	23JUL2003	EJH SB
		B	REVISE PER ECR-08-000308	11JAN2008	BB SM
		C	REVISE PER ECR-08-16409	02JUL2008	BB SM



DOOR OPEN VIEW

GREEN	1693539-3
BEIGE	1693539-2
BLUE	1693539-1
COLOR	PART NUMBER

⚠ MATERIAL:
 HOUSING AND DOOR: PBT, UL94 V-0 RATED AT QUALIFYING THICKNESS
 SPRING: STAINLESS STEEL

THIS DRAWING IS A CONTROLLED DOCUMENT FOR TYCO ELECTRONICS CORPORATION. IT IS SUBJECT TO CHANGE AND THE CONTROLLING ENGINEERING ORGANIZATION SHOULD BE CONTACTED FOR THE LATEST REVISION.		DWN MDL 08MAY2003	Tyco Electronics Harrisburg, PA 17105-3608	
DIMENSIONS: mm		CHK MDL 08MAY2003	NAME COVER, RETRACTABLE, SC ADAPTER, SIMPLEX	
TOLERANCES UNLESS OTHERWISE SPECIFIED: 0 PLC ±.15 1 PLC ±0.15 2 PLC ±0.08 3 PLC ±0.050 4 PLC ± ANGLES ±1/2 FINISH		APVD SB 08MAY2003	SIZE A2	CAGE CODE 00779
MATERIAL ⚠ -		PRODUCT SPEC -	DRAWING NO. 1693539	RESTRICTED TO -
		APPLICATION SPEC -	SCALE 3:1	SHEET 1 OF 1
		WEIGHT -	REV C	
		CUSTOMER DRAWING		