



Chipsmall Limited consists of a professional team with an average of over 10 year of expertise in the distribution of electronic components. Based in Hongkong, we have already established firm and mutual-benefit business relationships with customers from,Europe,America and south Asia,supplying obsolete and hard-to-find components to meet their specific needs.

With the principle of “Quality Parts,Customers Priority,Honest Operation,and Considerate Service”,our business mainly focus on the distribution of electronic components. Line cards we deal with include Microchip,ALPS,ROHM,Xilinx,Pulse,ON,Everlight and Freescale. Main products comprise IC,Modules,Potentiometer,IC Socket,Relay,Connector.Our parts cover such applications as commercial,industrial, and automotives areas.

We are looking forward to setting up business relationship with you and hope to provide you with the best service and solution. Let us make a better world for our industry!



Contact us

Tel: +86-755-8981 8866 Fax: +86-755-8427 6832

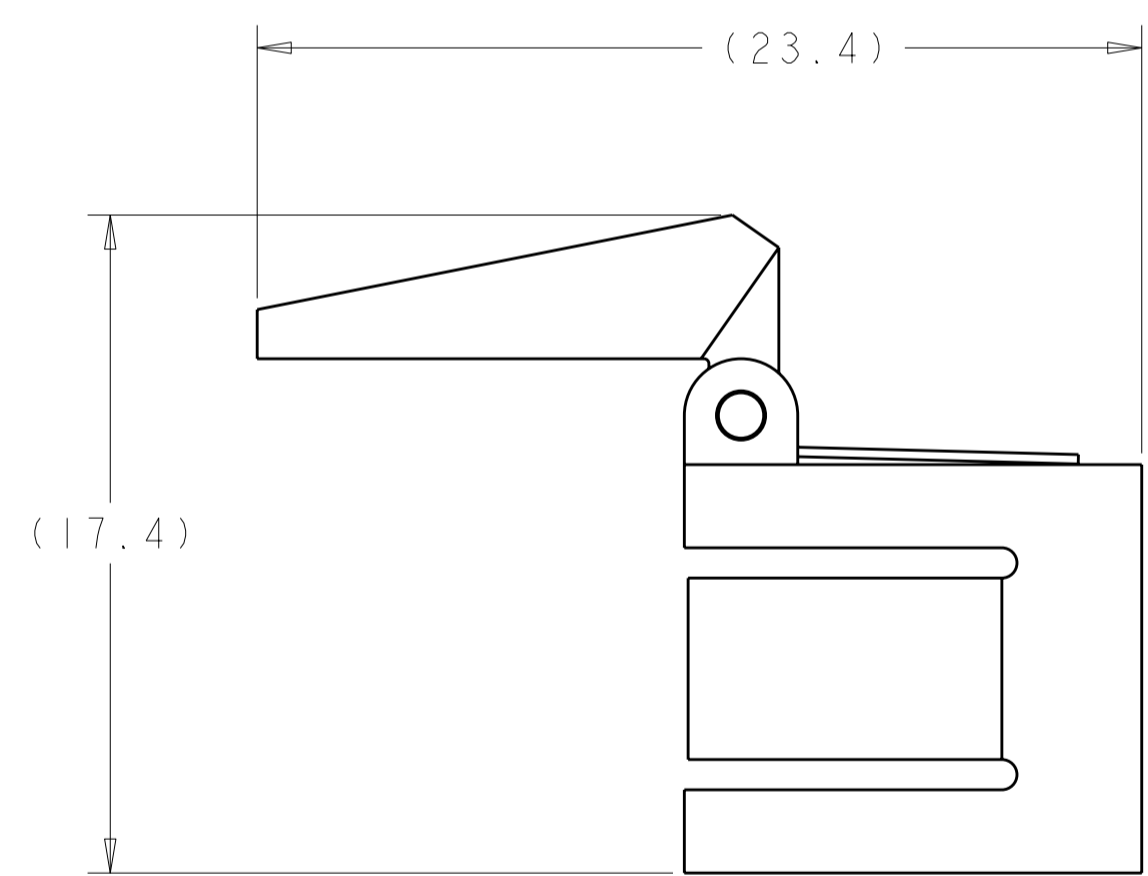
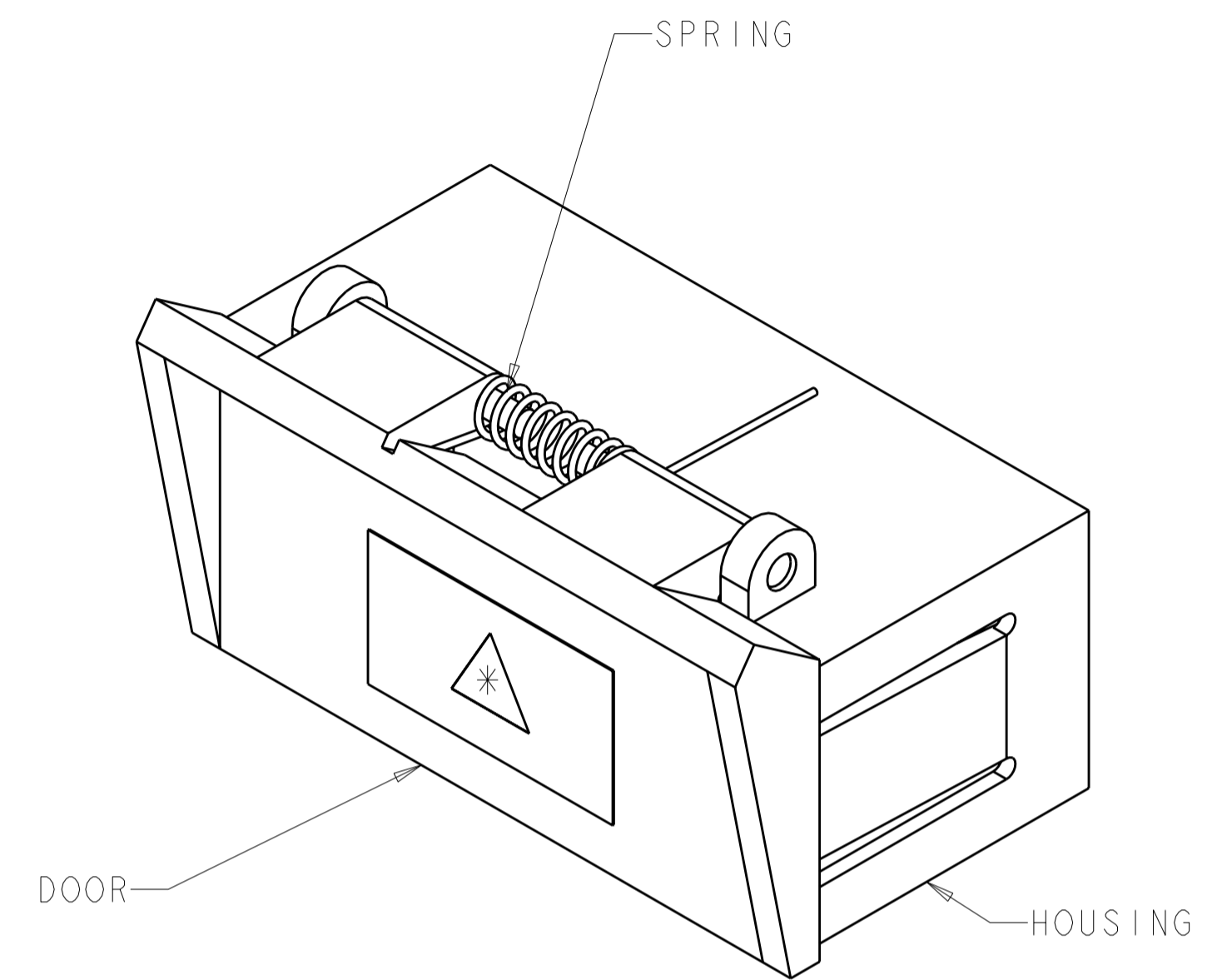
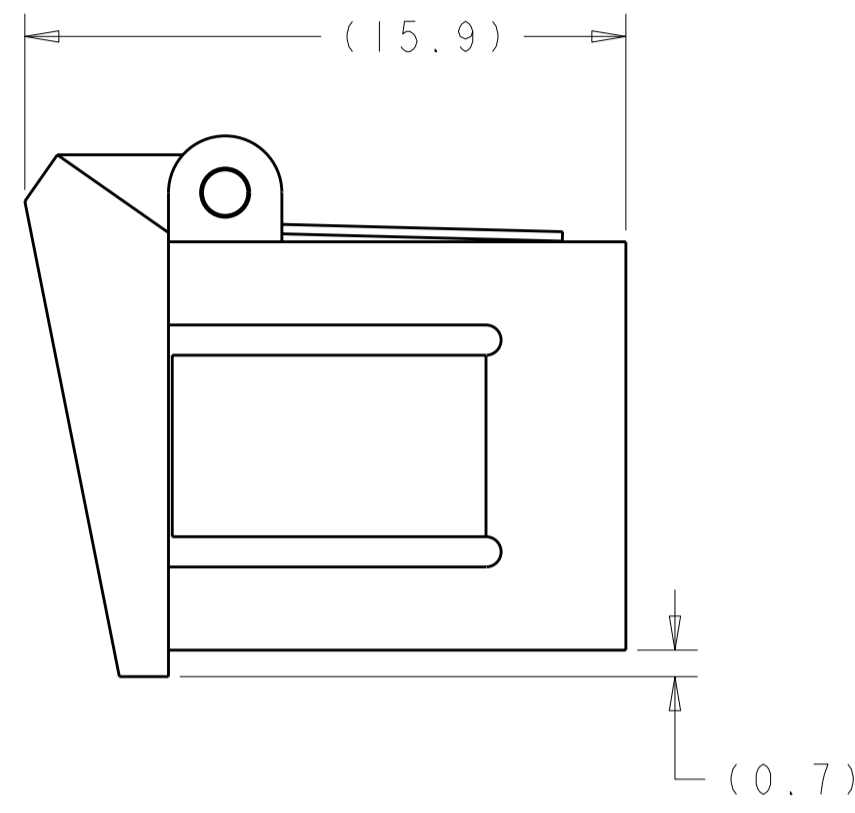
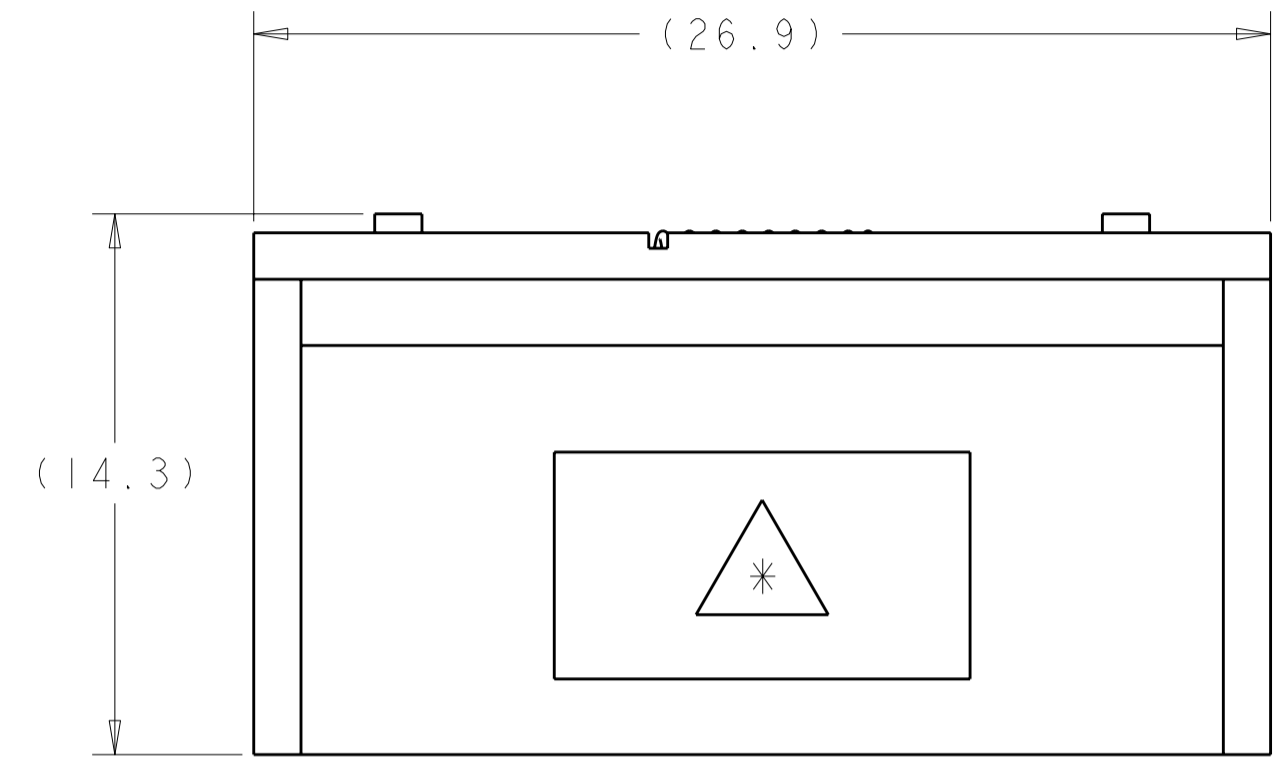
Email & Skype: info@chipsmall.com Web: www.chipsmall.com

Address: A1208, Overseas Decoration Building, #122 Zhenhua RD., Futian, Shenzhen, China



THIS DRAWING IS UNPUBLISHED. RELEASED FOR PUBLICATION 20
 © COPYRIGHT 20 BY TYCO ELECTRONICS CORPORATION. ALL RIGHTS RESERVED.

LOC		DIST		REVISIONS			
P	LTR	DESCRIPTION	DATE	DWN	APVD		
	A	EC 0A00-0353-03	23JUL2003	EJH	SB		
	B	REVISE PER ECR-08-000308	11JAN2008	BB	SM		
	C	REVISE PER ECR-08-016409	21JUL2008	BB	SM		



DOOR OPEN VIEW

⚠ MATERIAL:
 HOUSING AND DOOR: PBT, UL94 V-0 RATED AT QUALIFYING THICKNESS
 SPRING: STAINLESS STEEL

GREEN	1693540-3
BEIGE	1693540-2
BLUE	1693540-1
COLOR	PART NUMBER

THIS DRAWING IS A CONTROLLED DOCUMENT FOR TYCO ELECTRONICS CORPORATION. IT IS SUBJECT TO CHANGE AND THE CONTROLLING ENGINEERING ORGANIZATION SHOULD BE CONTACTED FOR THE LATEST REVISION.		DWN MDL 08MAY2003	Tyco Electronics Harrisburg, PA 17105-3608	
DIMENSIONS: mm		CHK MDL 08MAY2003	NAME RETRACTABLE COVER, DUPLEX, SC ADAPTER	
TOLERANCES UNLESS OTHERWISE SPECIFIED:		APVD SB 08MAY2003	SIZE CAGE CODE DRAWING NO RESTRICTED TO	
0 PLC ±.15		PRODUCT SPEC -	A2 00779 C-1693540	
1 PLC ±0.15		APPLICATION SPEC -	SCALE 5:1 SHEET 1 OF 1 REV C	
2 PLC ±0.08		WEIGHT -		
3 PLC ±0.050		CUSTOMER DRAWING		
4 PLC ±				
ANGLES ±1/2				
FINISH				