



Chipsmall Limited consists of a professional team with an average of over 10 year of expertise in the distribution of electronic components. Based in Hongkong, we have already established firm and mutual-benefit business relationships with customers from,Europe,America and south Asia,supplying obsolete and hard-to-find components to meet their specific needs.

With the principle of "Quality Parts,Customers Priority,Honest Operation,and Considerate Service",our business mainly focus on the distribution of electronic components. Line cards we deal with include Microchip,ALPS,ROHM,Xilinx,Pulse,ON,Everlight and Freescale. Main products comprise IC,Modules,Potentiometer,IC Socket,Relay,Connector.Our parts cover such applications as commercial,industrial, and automotives areas.

We are looking forward to setting up business relationship with you and hope to provide you with the best service and solution. Let us make a better world for our industry!



Contact us

Tel: +86-755-8981 8866 Fax: +86-755-8427 6832

Email & Skype: info@chipsmall.com Web: www.chipsmall.com

Address: A1208, Overseas Decoration Building, #122 Zhenhua RD., Futian, Shenzhen, China

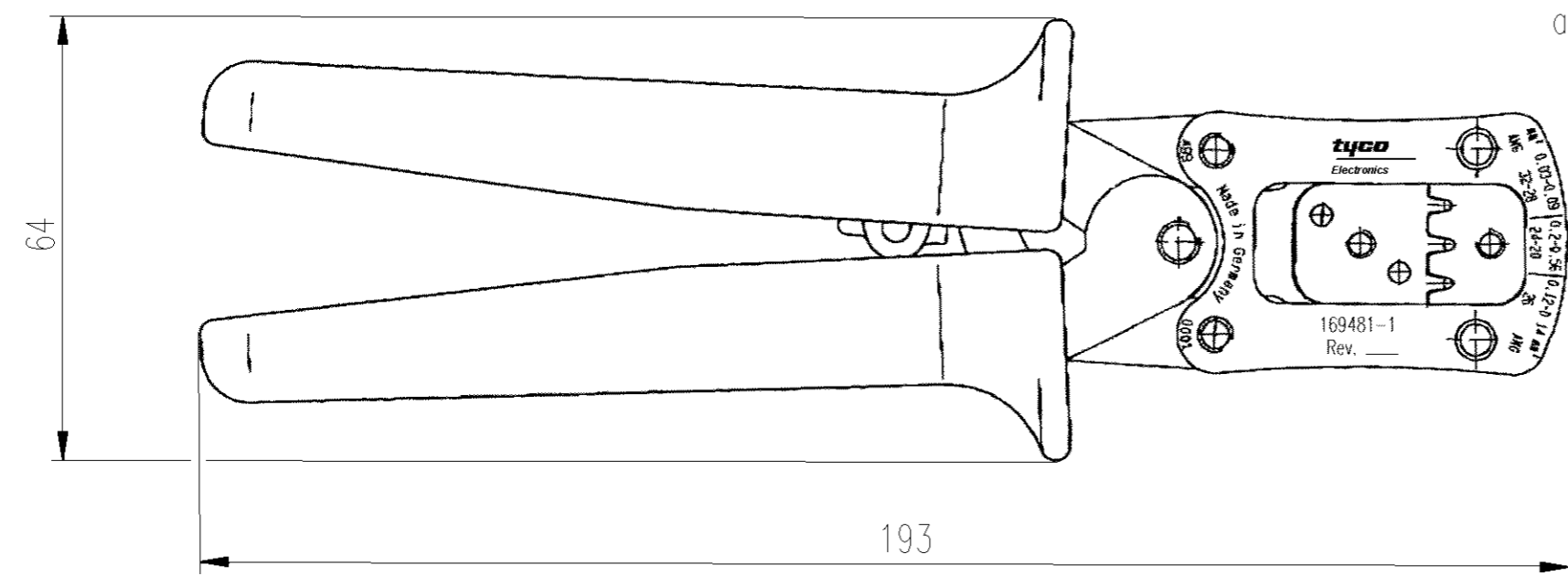


THIS DRAWING IS UNPUBLISHED. RELEASED FOR PUBLICATION 2003
 © COPYRIGHT 2003 BY TYCO ELECTRONICS CORPORATION. ALL RIGHTS RESERVED.

LOC	DIST	REVISIONS					
A1	-	P	LTR	DESCRIPTION	DATE	DWN	APVD



Kontaktpositionierer als Ersatzteil
 erhältlich: Tyco-Nr. 4-539785-8
 Terminal locator as spare part
 available: Tyco-No. 4-539785-8



Wire Range mm' AWG	Crimp Height mm	Insulation Range mm	Terminals
0,03-0,09 32-28	0,53 ±0,03	1,4 max.	167023-2
0,20-0,56 24-20	0,77 ±0,03	1,4 max.	141603-3
0,12-0,14 26	0,72 ±0,03	0,5 - 1,0	141603-3

THIS DRAWING IS A CONTROLLED DOCUMENT FOR TYCO ELECTRONICS CORPORATION
 IT IS SUBJECT TO CHANGE AND THE CONTROLLING ENGINEERING ORGANIZATION
 SHOULD BE CONTACTED FOR THE LATEST REVISION.

DIMENSIONS: mm	TOLERANCES UNLESS OTHERWISE SPECIFIED: 0 PLC ± 1 PLC ± 2 PLC ± 3 PLC ± 4 PLC ± ANGLES ±1°	DWN Ch.Witt 24OCT2005	tyco Electronics AMP GmbH D - 64625 Bensheim
MATERIAL -	FINISH -	CHK -	
		APVD -	NAME HAND TOOL ASSEMBLY FOR MODU IV Handzange für Modu IV
		PRODUCT SPEC -	SIZE A3
		APPLICATION SPEC -	CAGE CODE 00779
		WEIGHT 330 g	DRAWING NO ©= 169481-1
		CUSTOMER DRAWING	RESTRICTED TO -
		SCALE -	SHEET 1 of 1
			REV D