



Chipsmall Limited consists of a professional team with an average of over 10 year of expertise in the distribution of electronic components. Based in Hongkong, we have already established firm and mutual-benefit business relationships with customers from,Europe,America and south Asia,supplying obsolete and hard-to-find components to meet their specific needs.

With the principle of “Quality Parts,Customers Priority,Honest Operation,and Considerate Service”,our business mainly focus on the distribution of electronic components. Line cards we deal with include Microchip,ALPS,ROHM,Xilinx,Pulse,ON,Everlight and Freescale. Main products comprise IC,Modules,Potentiometer,IC Socket,Relay,Connector.Our parts cover such applications as commercial,industrial, and automotives areas.

We are looking forward to setting up business relationship with you and hope to provide you with the best service and solution. Let us make a better world for our industry!



Contact us

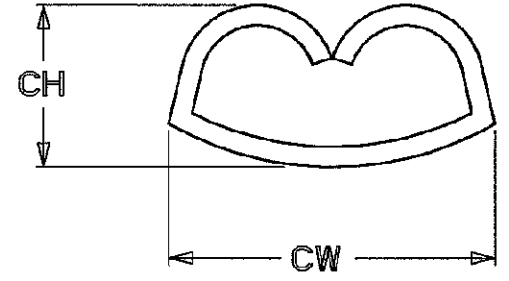
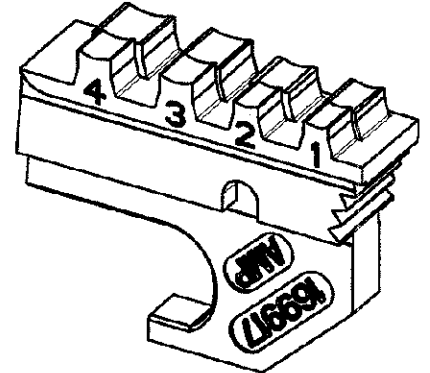
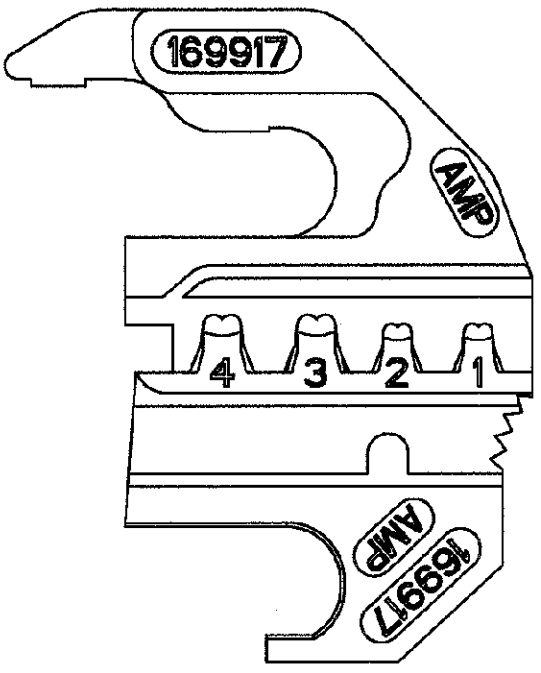
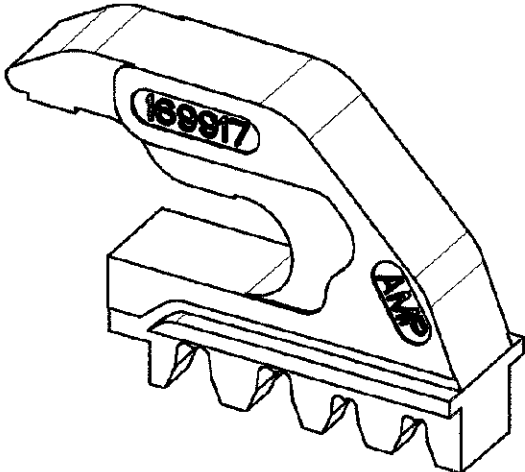
Tel: +86-755-8981 8866 Fax: +86-755-8427 6832

Email & Skype: info@chipsmall.com Web: www.chipsmall.com

Address: A1208, Overseas Decoration Building, #122 Zhenhua RD., Futian, Shenzhen, China



LOC	DIST	REVISIONS			
		LTR	DESCRIPTION	DATE	APVD
H	-	A00	REDRAWN	28 NOV 97	-
		--	--	--	--
		--	--	--	--



CH = CRIMP HEIGHT
 CW = CRIMP WIDTH

PROF	CONTACT	WIRE RANGE	INS. RANGE	wire CH	wire CW
1	927779	0,5 - 1,0 mm ²	1,4 - 2,0 mm	1,28±0,05	2,00
2	927783	0,5 - 1,0 mm ²	2,0 - 2,7 mm	1,28±0,05	2,00
3	927777	1,25 - 2,5 mm ²	2,1 - 2,9 mm	1,60±0,05	2,80
4	927781	1,25 - 2,5 mm ²	2,7 - 3,7 mm	1,60±0,05	2,80

THIS DRAWING IS A CONTROLLED DOCUMENT FOR AMP HOLLAND B.V. IT IS SUBJECT TO CHANGE AND THE CONTROLLING ENGINEERING ORGANIZATION SHOULD BE CONTACTED FOR THE LATEST REVISION.

DIMENSIONS:	TOLERANCES UNLESS OTHERWISE SPECIFIED:
mm	0 PLC ± .
	1 PLC ± .
	2 PLC ± .
	3 PLC ± .
	4 PLC ± .
	ANGLES ± .°

MATERIAL FINISH

1				
Item no.	Description	Material	Finish	
DWN	F.H.			
CHK	-			
APVD	-			
PRODUCT SPEC	-			
APPLICATION SPEC	-			
WEIGHT	-			
NAME		AMP	AMP Communication Equipment Business Unit 's-Hertogenbosch, The Netherlands	
NAME		DIE SET for type III/XII contacts		
SIZE	CAGE CODE	DRAWING NO		
A3	00779	C- 169917		
SCALE		21	SHEET	1 OF 1 REV A00