



Chipsmall Limited consists of a professional team with an average of over 10 year of expertise in the distribution of electronic components. Based in Hongkong, we have already established firm and mutual-benefit business relationships with customers from,Europe,America and south Asia,supplying obsolete and hard-to-find components to meet their specific needs.

With the principle of “Quality Parts,Customers Priority,Honest Operation,and Considerate Service”,our business mainly focus on the distribution of electronic components. Line cards we deal with include Microchip,ALPS,ROHM,Xilinx,Pulse,ON,Everlight and Freescale. Main products comprise IC,Modules,Potentiometer,IC Socket,Relay,Connector.Our parts cover such applications as commercial,industrial, and automotives areas.

We are looking forward to setting up business relationship with you and hope to provide you with the best service and solution. Let us make a better world for our industry!



## Contact us

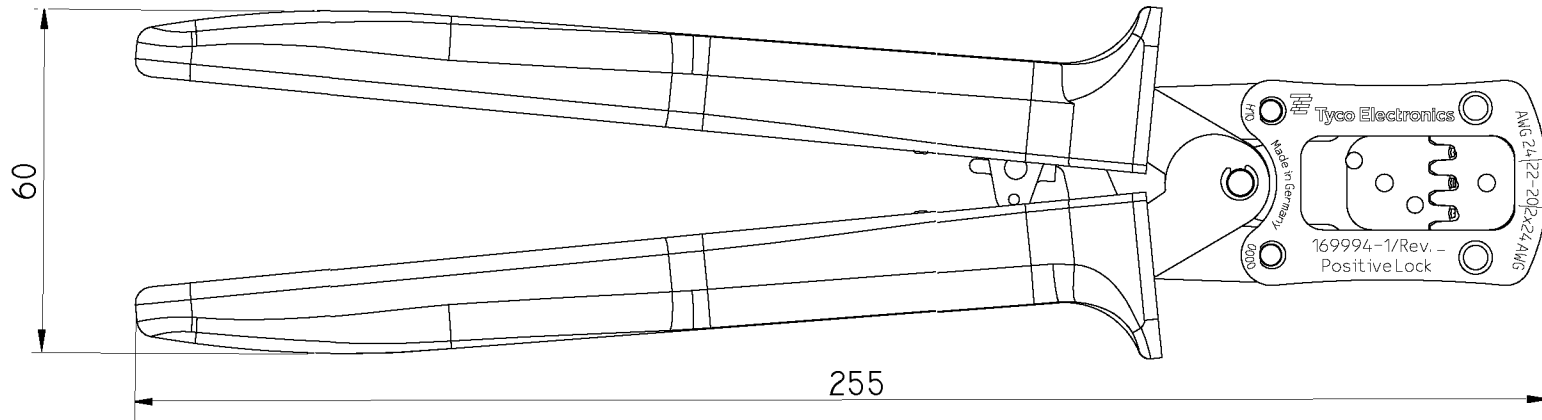
Tel: +86-755-8981 8866 Fax: +86-755-8427 6832

Email & Skype: info@chipsmall.com Web: www.chipsmall.com

Address: A1208, Overseas Decoration Building, #122 Zhenhua RD., Futian, Shenzhen, China



# HAND TOOL POSITIVE LOCK 4.8 mm



Contacts	Wire Size	Wire Crimp	Insul. $\phi$	Instr. Sheet
TE PN	AWG	Crimp Height mm	mm	
170330	24	0.99 $\pm$ 0.05	0.9	411-19285
170330	20-22	1.08 $\pm$ 0.05	1.05 - 1.3	
170330	2 x 24	1.08 $\pm$ 0.05	2 x 0.9	

Handzange PN 169994-1 wie gezeichnet  
Hand Tool PN 169994-1 as shown

LOC	DIST	REVISIONS				
P	LTR	DESCRIPTION	DATE	DWN	APVD	
A1	-	B	ECR-10-016820	20AUG2010	wi	wi

THIS DRAWING IS A CONTROLLED DOCUMENT FOR TYCO ELECTRONICS CORPORATION. IT IS SUBJECT TO CHANGE AND THE CONTROLLING ENGINEERING ORGANIZATION SHOULD BE CONTACTED FOR THE LATEST REVISION.

DIMENSIONS:	TOLERANCES UNLESS OTHERWISE SPECIFIED:
mm	0 PLC $\pm$
	1 PLC $\pm$
	2 PLC $\pm$
	3 PLC $\pm$
	4 PLC $\pm$
	ANGLES $\pm$
MATERIAL	FINISH

DWN	C. Witt	20AUG2010	Tyco Electronics Tyco Electronics AMP GmbH 64625 Bensheim (Germany)	
CHK	-	-	NAME HAND TOOL POSITIVE LOCK 4.8 mm Handzange Positive Lock 4.8 mm	
APVD	-	-	SIZE	RESTRICTED TO
PRODUCT SPEC	-	-	A3	-
APPLICATION SPEC	-	-	CAGE CODE	DRAWING NO
	-	-	00779	C=169994
WEIGHT	400 g		SCALE	SHEET
CUSTOMER DRAWING			1:1	1 OF 1
				REV B