



Chipsmall Limited consists of a professional team with an average of over 10 year of expertise in the distribution of electronic components. Based in Hongkong, we have already established firm and mutual-benefit business relationships with customers from,Europe,America and south Asia,supplying obsolete and hard-to-find components to meet their specific needs.

With the principle of “Quality Parts,Customers Priority,Honest Operation,and Considerate Service”,our business mainly focus on the distribution of electronic components. Line cards we deal with include Microchip,ALPS,ROHM,Xilinx,Pulse,ON,Everlight and Freescale. Main products comprise IC,Modules,Potentiometer,IC Socket,Relay,Connector.Our parts cover such applications as commercial,industrial, and automotives areas.

We are looking forward to setting up business relationship with you and hope to provide you with the best service and solution. Let us make a better world for our industry!



## Contact us

Tel: +86-755-8981 8866 Fax: +86-755-8427 6832

Email & Skype: info@chipsmall.com Web: www.chipsmall.com

Address: A1208, Overseas Decoration Building, #122 Zhenhua RD., Futian, Shenzhen, China



**MICRO SWITCH**  
a Honeywell Division

FED. MFG. CODE 91929

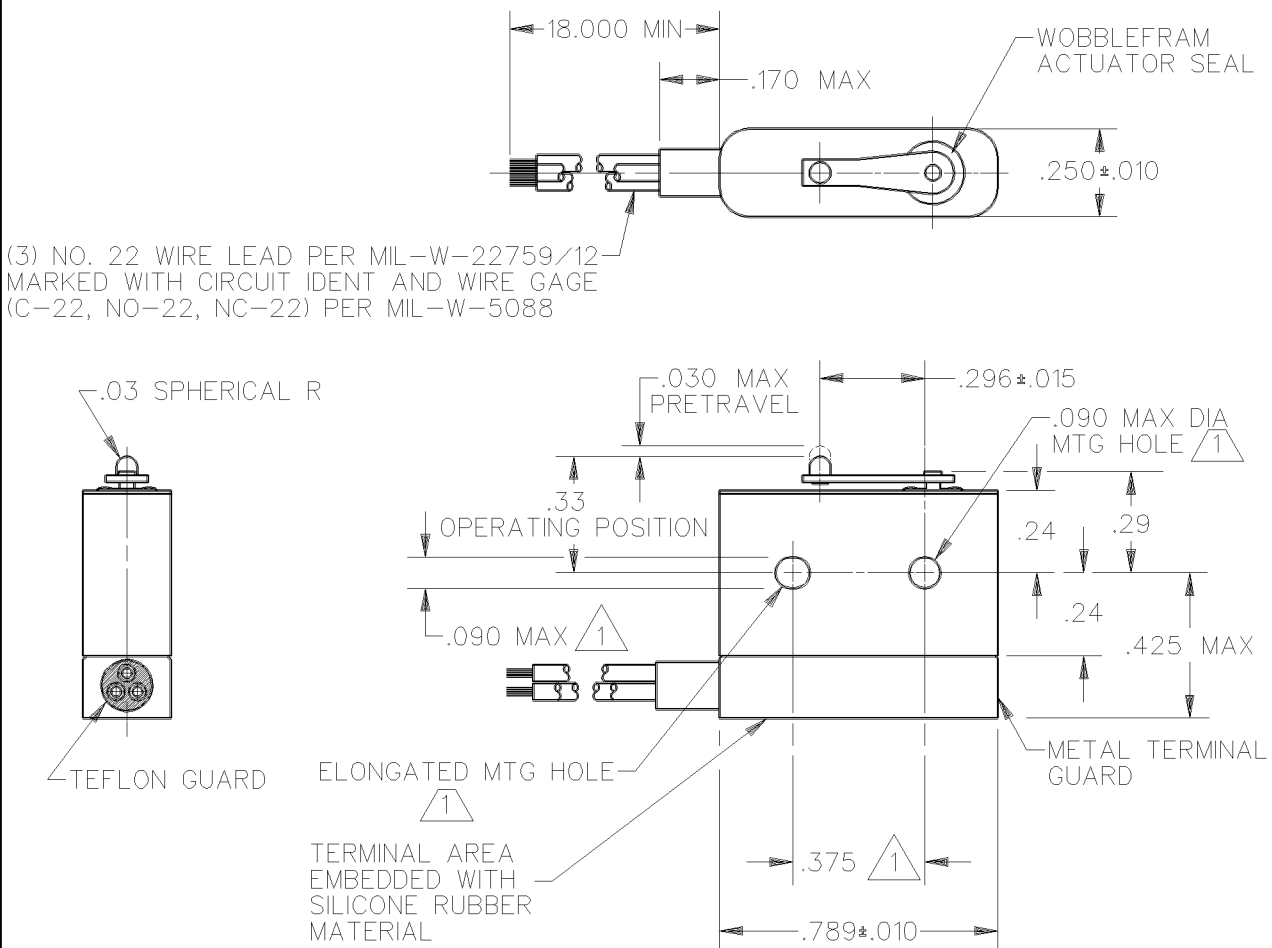
**SWITCH-BASIC**

CATALOG LISTING

**16HM4**

CATALOG LISTING  
 16HM4  
 PAGE 1 OF 1  
 ISSUE 5  
 REVISIONS  
 A PR-16881 MAM 16 NOV 88  
 B CO-71228 TSM 5 NOV 91  
 C CO-80788 SAD 26 APR 95  
 D 0004537 KR 01 APR 04  
 CHECK  
 17 NOV 88  
 TSK  
 CHECK  
 16 NOV 88  
 DRAWN  
 DDM/CAD

REPLACES  
 PR-16881  
 CHECK  
 CHECK  
 CHECK



(3) NO. 22 WIRE LEAD PER MIL-W-22759/12 MARKED WITH CIRCUIT IDENT AND WIRE GAGE (C-22, NO-22, NC-22) PER MIL-W-5088

- NOTES**
- 1 MOUNTING HOLES WILL ACCEPT PINS OR SCREWS OF .087 MAX DIA ON .375 ± .002 CENTERS
  - 2 - FOR USE IN TEMPERATURE RANGE -85°F TO +500°F (-65°C TO 260°C) (DOWN TO -300°F (-184°C) IF WIRE LEADS ARE NOT FLEXED)
  - 3 - SWITCH IS HERMETICALLY SEALED PER ENCLOSURE DESIGN SYMBOL 5 MIL-PRF-8805/8
  - 4 - ALL EXPOSED PARTS ARE OF CORROSION RESISTANT MATERIALS
  - 5 WEIGHT OF SWITCH ONLY IS 0.014 LB MAX. WEIGHT OF CONDUCTOR GROUP ONLY IS 0.013 LB MAX PER FOOT
  - 6 - DO NOT APPLY MORE THAN 1 1/2 INCH LBS OF TORQUE WHEN TIGHTENING MOUNTING SCREWS
  - 7- SILVER CAD OXIDE MOVABLE CONTACT.HONEYWELL DOES NOT RECOMMEND THE USE OF SILVER CAD OXIDE CONTACTS WITH NON-ARCING LOADS.NON-ARCING LOADS ARE GENERALLY LESS THAN 12 VOLTS AND/OR 0.5 AMPS.

THIS DRAWING COVERS A PROPRIETARY ITEM AND IS THE PROPERTY OF MICRO SWITCH, A DIVISION OF HONEYWELL. THIS DRAWING IS NOT TO BE COPIED OR USED WITHOUT THE APPROVAL OF MICRO SWITCH.



CHARACTERISTICS	ELECTRICAL DATA			SCALE 2 : 1	DO NOT SCALE PRINT
	CONTACT ARRANGEMENT S P D T				
OPERATING FORCE — — — — 7 OZ MAX	LINE VOLTAGE	INDUCTIVE LOAD	RESISTIVE LOAD	<b>UNLESS OTHERWISE SPECIFIED TOLERANCES ARE</b>	
RELEASE FORCE — — — — 1 OZ MIN				ONE PLACE (.0) ±.030	
DIFFERENTIAL TRAVEL — — — .0003-.006	28 VDC	1 AMP	3 AMP	TWO PLACE (.00) ±.015	
OVERTRAVEL — — — — .003 MIN	115 VAC (400 CYCLE)	1 AMP	1 AMP	THREE PLACE (.000) ±.005	
				ANGLES	±
				WEIGHT	5